

Multiband Antenna Module

APAMPSLJ-142

RoHS/RoHS II Compliant



92.0 x 52.0 x 157.0 mm

MSL level: Not Applicable

FEATURES:

- Active GPS & Multiband External Antenna
- Covering Active GPS / GLONASS (1592 - 1610 MHz)
- Cellular: AMPS (850 MHz) / GSM (900 MHz) /DCS (1800 MHz)
- TETRA (380 - 500 MHz) / CDMA (450MHz)
- WIFI / Bluetooth (2.4 GHz)
- Car Fin Type body mount
- 3 coaxial separate output feeds
- LNA Gain: GPS/GLONASS 27dB at 5V
- Cellular Gain 3dBi (max), TETRA Gain 2dBi (max)
- VSWR GSM/TETRA <2.1, GNSS <1.2:1
- RoHS/RoHS II compliant

TYPICAL APPLICATIONS:

- GPS / GLONASS
- TETRA Public Safety
- Vehicle Cellular and 3G / WiFi Routers
- WiFi/Bluetooth
- Mobile broadband

STANDARD SPECIFICATIONS:

Antenna

Parameters	Min.	Typ.	Max.	Units	Note
Receiving Frequency	1572		1610	MHz	GPS/GLONASS
	380		500	MHz	Tetra
	824		894	MHz	AMPS
	880		960	MHz	GSM900
	1710		1880	MHz	GSM1800
	1850		1990	MHz	GSM1900
	1920		2170	MHz	GSM2100
	2400		2497	MHz	WLAN/Bluetooth
Gain		2.2		dBi	Cell
		2		dBiC	GPS
		2		dBi	Tetra
VSWR			1.2:1		GPS/GLONASS
			3.5:1		GSM
			2:1		Tetra
Polarization Model	RHCP				GPS/GLONASS
	Vertical				GSM/Tetra
Impedance		50		Ω	
Operating Temperature	-40		+85	°C	

Low Noise Amplifier (GPS)

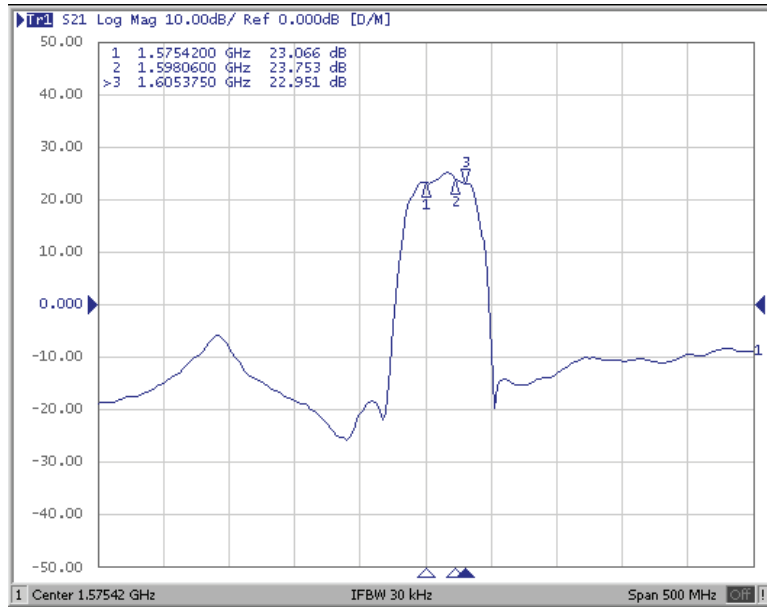
Parameters	Min.	Typ.	Max.	Units	Note
DC Voltage	2.7		5.5	V	
LNA Gain			24	dB	
Current	15		25	mA	
Operating Temperature	-40		+85	°C	



92.0 x 52.0 x 157.0 mm

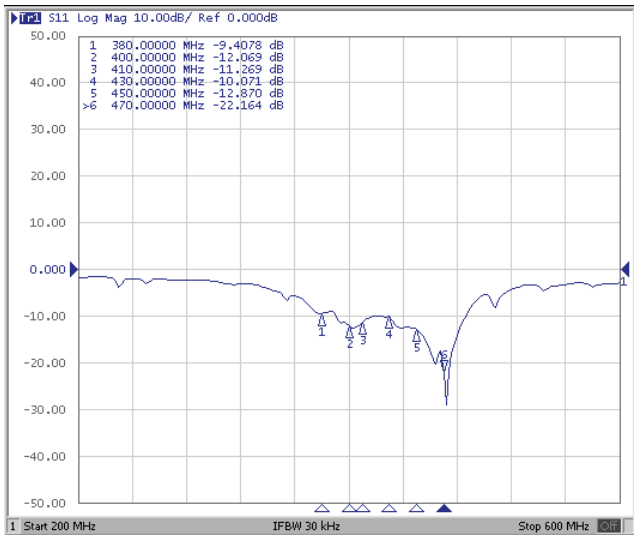
Antenna's Impedance and Return-Loss Characteristics

GNSS

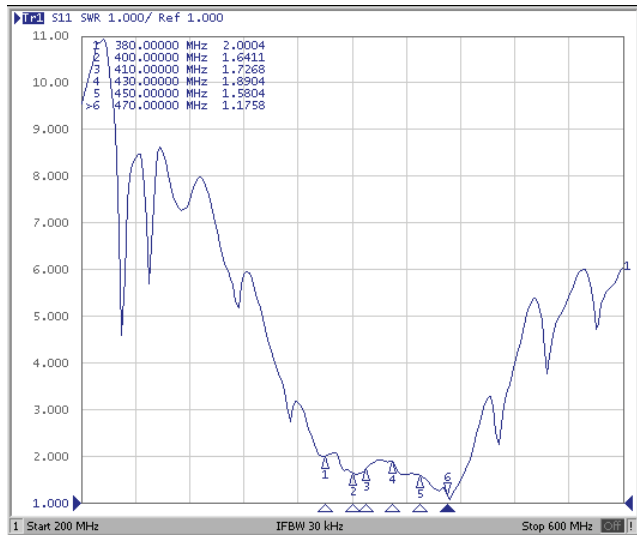


GPS gain (S21) at 3V

Tetra



Log Mag (S11)



VSWR (S11)

Multiband Antenna Module

APAMPSLJ-142

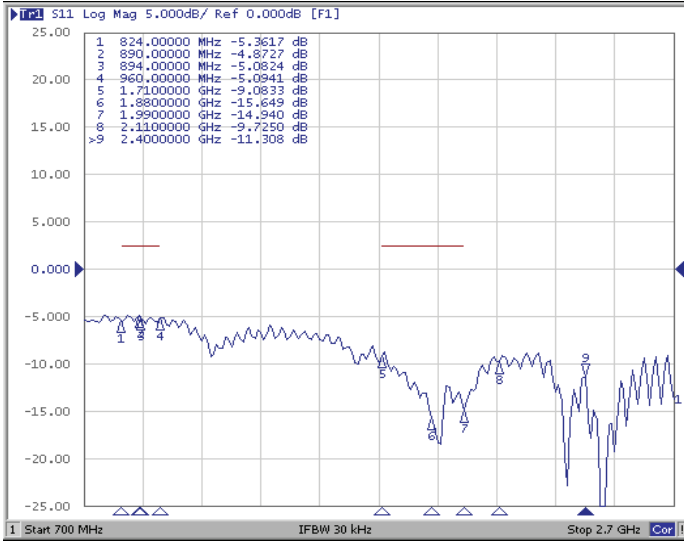
RoHS/RoHS II Compliant



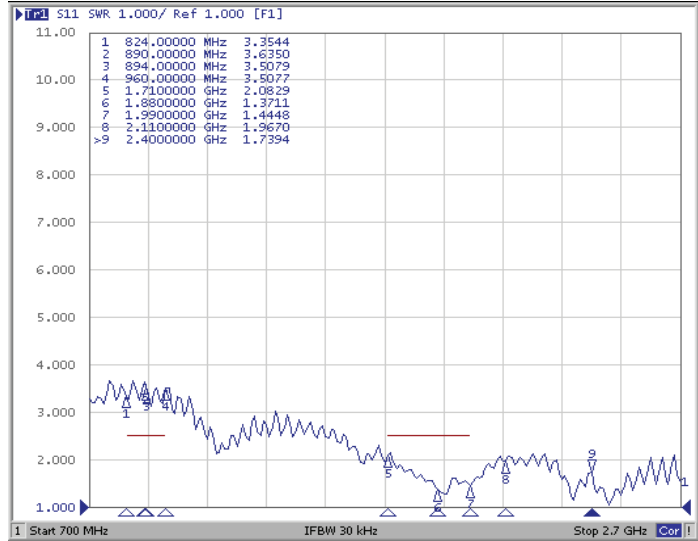
92.0 x 52.0 x 157.0 mm

Antenna's Impedance and Return-Loss Characteristics

Cell

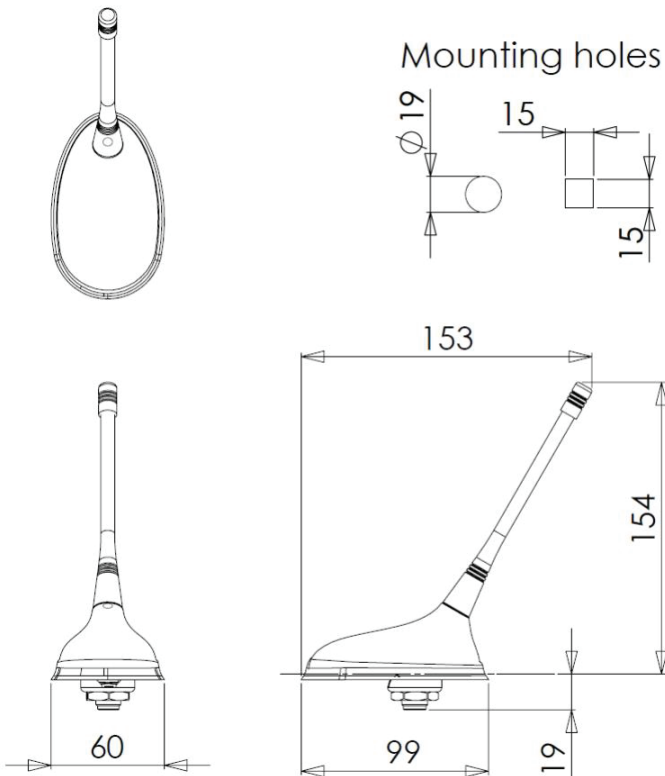


Log Mag (S11)



VSWR (S11)

OUTLINE DRAWING:



Parameters	Description
RF Connector	SMA male-GPS/GLONASS
	FME female-GSM
	SMA male-TETRA
Weight	250 g
Cable Type	2 x RG174 (GNSS and GSM) 1 x RG58 (Tetra)
Cable Length	250cm