

External GSM Antenna - Adhesive Mount

APAMS-102

RoHS/RoHS II compliant

Lead in copper alloy exemption (6c); and Lead in glass exemption (7c-1)



138 x 21 x 6mm

MSL level: Not Applicable

FEATURES:

- High Reliability/ Sensitivity
- Compact Size
- Easy to Install (adhesive tape base)
- SGS
- ROHS Compliant

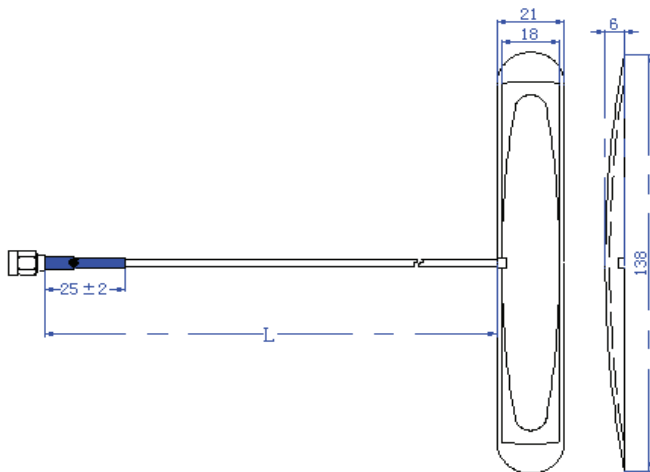
TYPICAL APPLICATIONS:

- Wireless Communications
- GSM
- GPRS
- CDMA
- UMTS
- Vehicle Monitoring

STANDARD SPECIFICATIONS:

Parameters	Min.	Typ.	Max.	Units	Note
Frequency Range	820		960	MHz	(GSM900)
	1710		1880	MHz	(GSM1800)
	1850		1990	MHz	(GSM1900)
	1900		2170	MHz	(UMTS)
Bandwidth		140		MHz	(@900MHz)
		170		MHz	(@1800MHz)
		140		MHz	(@1900MHz)
		170		MHz	(@2000MHz)
VSWR				2:1	
Polarization Model	Linear Polarization				
Impedance		50		Ω	
Gain		1		dBi	(@900MHz)
		2		dBi	(@1800MHz)
		2.5		dBi	(@1900MHz)
		3		dBi	(@2000MHz)
Azimuth	Omni-Directional				
Operating Temperature	-40		+80	$^{\circ}\text{C}$	
Storage Temperature	-45		+85	$^{\circ}\text{C}$	

OUTLINE DRAWING:



Top View Side View

Parameters	Description
L (Cable Length)	300±50cm
Antenna	PCB
RF Connector	SMA-J3
RF Cable	RG174
Thickness	6mm
Enclosures	Plastic
Mounting Type	Adhesive Tape

Unit: mm

External GSM Antenna - Adhesive Mount

APAMS-102

RoHS/RoHS II compliant
Lead in copper alloy exemption (6c); and Lead in glass exemption (7c-1)



138 x 21 x 6mm

PRODUCT IMAGE:



PACKAGING:

Each 475x215x215mm size carton includes 100 pieces of antenna.



CAUTION:

- (1) Do not apply excess mechanical stress to the component body or terminations. Do not attempt to re-form or bend the components as this will cause damage to the component.
- (2) Do not expose the component to open flame.
- (3) This specification applies to the functionality of the component as a single unit. Please insure the component is thoroughly evaluated in the application circuit.

ATTENTION: Abracon Corporation's products are COTS – Commercial-Off-The-Shelf products; suitable for Commercial, Industrial and, where designated, Automotive Applications. Abracon's products are not specifically designed for Military, Aviation, Aerospace, Life-dependant Medical applications or any application requiring high reliability where component failure could result in loss of life and/or property. For applications requiring high reliability and/or presenting an extreme operating environment, written consent and authorization from Abracon Corporation is required. Please contact Abracon Corporation for more information.

ABRACON IS
ISO9001:2008
CERTIFIED



Visit www.abracon.com for Terms & Conditions of Sale **Revised: 10.23.14**
30332 Esperanza, Rancho Santa Margarita, California 92688
tel 949-546-8000 | fax 949-546-8001 | www.abracon.com