

RoHS Compliant

CFast 2.0

SM230-CFast 2.0 Product Specifications



April 13, 2021

Version 1.7



Apacer Technology Inc.

1F, No.32, Zhongcheng Rd., Tucheng Dist., New Taipei City, Taiwan, R.O.C

Tel: +886-2-2267-8000 Fax: +886-2-2267-2261

www.apacer.com

Specifications Overview:

- **Compliance with SATA Revision 3.2**
 - SATA 6 Gb/s interface speed
 - Backward compatible with SATA 1.5 and 3 Gb/s interfaces
 - ATA-compatible command set
- **Capacity**
 - 8, 16, 32, 64, 128, 256 GB
- **Performance***
 - Burst read/write: 600 MB/sec

Standard:

 - Sequential read: Up to 560 MB/sec
 - Sequential write: Up to 455 MB/sec
 - Random read (4K): Up to 40,000 IOPS
 - Random write (4K): Up to 67,000 IOPS

AES & Opal Implemented:

 - Sequential read: Up to 560 MB/sec
 - Sequential write: Up to 440 MB/sec
 - Random read (4K): Up to 33,000 IOPS
 - Random write (4K): Up to 61,000 IOPS
- **Flash Management**
 - Built-in hardware ECC
 - Global Wear Leveling
 - Flash bad-block management
 - Flash Translation Layer: Page Mapping
 - S.M.A.R.T.
 - Power Failure Management
 - Device Sleep (optional)
 - ATA Secure Erase
 - TRIM
 - Hyper Cache Technology
 - SMART Read Refresh™
- **NAND Flash Type:** MLC
- **MTBF:** >1,000,000 hours
- **Temperature Range**
 - Operating:
 - Standard: 0°C to 70°C
 - Wide: -40°C to 85°C
 - Storage: -55°C to 100°C
- **Power Consumption***
 - Supply voltage: 3.3V
 - Active mode: 675 mA
 - Idle mode: 135 mA
- **Connector Type**
 - 7 + 17 pin female connector
- **Endurance (in Terabytes Written: TBW)**
 - 8 GB: 13 TBW
 - 16 GB: 26 TBW
 - 32 GB: 56 TBW
 - 64 GB: 123 TBW
 - 128 GB: 253 TBW
 - 256 GB: 500 TBW
- **Hardware Write-Protection Switch Support (optional)**
- **Security (optional)**
 - Trusted Computing Group (TCG) Opal 2.0
 - AES 256-bit hardware encryption
- **RoHS Compliant**

*Varies from capacities. The values for performances and power consumptions presented are typical and may vary depending on flash configurations or platform settings.

Table of Contents

| | |
|--|-----------|
| 1. General Descriptions | 4 |
| 2. Functional Block | 4 |
| 3. Pin Assignments..... | 5 |
| 4. Product Specifications..... | 7 |
| 4.1 Capacity..... | 7 |
| 4.2 Performance | 7 |
| 4.3 Environmental Specifications | 8 |
| 4.4 Mean Time Between Failures (MTBF) | 8 |
| 4.5 Certification and Compliance..... | 8 |
| 4.6 Endurance | 9 |
| 5. Flash Management | 10 |
| 5.1 Error Correction/Detection..... | 10 |
| 5.2 Bad Block Management | 10 |
| 5.3 Global Wear Leveling | 10 |
| 5.4 Flash Translation Layer – Page Mapping..... | 10 |
| 5.5 ATA Secure Erase..... | 10 |
| 5.6 Power Failure Management | 11 |
| 5.7 TRIM..... | 11 |
| 5.8 Device Sleep (DevSleep or DEVSLP) Mode (optional)..... | 11 |
| 5.9 SATA Power Management | 12 |
| 5.10 Hyper Cache Technology | 12 |
| 5.11 SMART Read Refresh™ | 12 |
| 6. Security Features..... | 13 |
| 6.1 TCG Opal (optional) | 13 |
| 6.2 Advanced Encryption Standard (optional)..... | 13 |
| 7. Software Interface | 14 |
| 7.1 Command Set..... | 14 |
| 7.2 S.M.A.R.T. | 15 |
| 8. Electrical Specifications..... | 17 |
| 8.1 Operating Voltage..... | 17 |

| | |
|--|-----------|
| 8.2 Power Consumption | 17 |
| 9. Physical Characteristics..... | 18 |
| 9.1 Dimensions | 18 |
| 9.2 Write Protect Switch (optional) | 19 |
| 10. Product Ordering Information..... | 20 |
| 10.1 Product Code Designations..... | 20 |
| 10.2 Valid Combinations..... | 21 |

1. General Descriptions

Apacer SM230-CFast 2.0 is the latest enhancement of conventional CFast form factor that delivers various technological advantages. This new flash memory card comes with SATA 6 Gb/s interface for higher performance and consists of SATA-based 7-pin signal segment and 17-pin for power and control purposes.

For data efficiency, SM230-CFast 2.0 delivers data transfer rates up to 560 MB/s in sequential access and 40,000 IOPS in 4KB random access. In addition, Apacer CFast cards come with S.M.A.R.T. for lifetime monitoring and customization support if write protection is required. Apacer SM230-CFast 2.0 guarantees reliability of applications in harsh environments by implementing intelligent Flash Management algorithms and Error Correction.

2. Functional Block

Apacer SM230-CFast 2.0 includes a single-chip SATA 6 Gb/s and the flash media. The controller integrates the flash management unit to support multi-channel, multi-bank flash arrays. Figure 2-1 shows the functional block diagram.

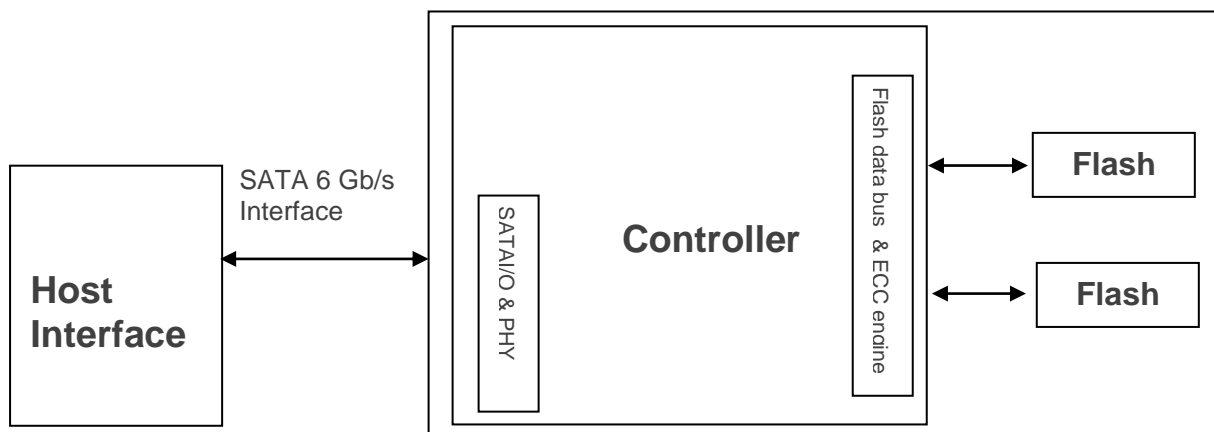


Figure 2-1 Functional Block Diagram

3. Pin Assignments

Table 3-1 describes SM230-CFast 2.0 signal segment, and Table 3-2, its power segment.

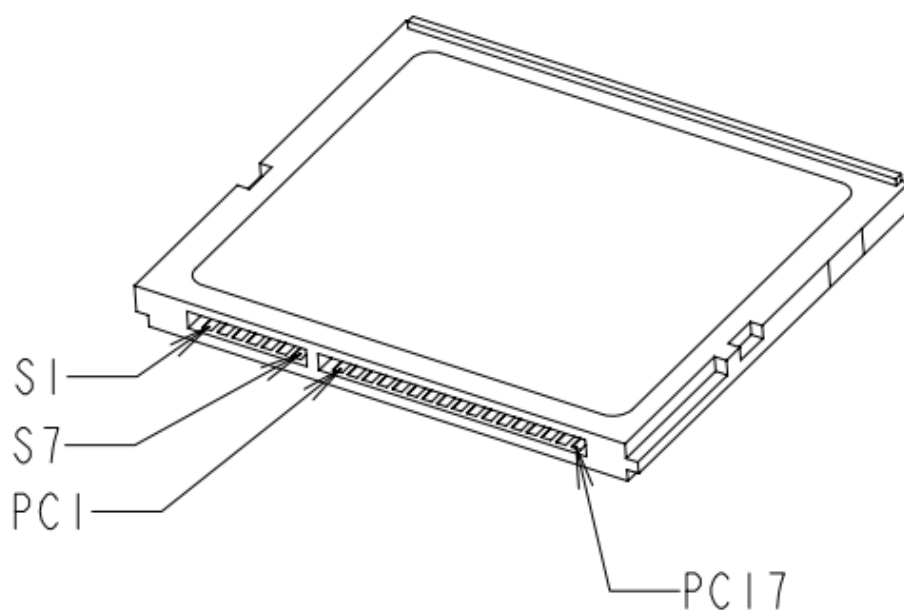


Figure 3-1 Pin Assignment

Table 3-1 Signal Segment

| Pin | Definition | Description |
|-----|------------|---------------------------------|
| S1 | GND | Ground |
| S2 | A+ | SATA Differential Signal Pair A |
| S3 | A- | |
| S4 | GND | Ground |
| S5 | B- | SATA Differential Signal Pair B |
| S6 | B+ | |
| S7 | GND | Ground |

Table 3-2 Power Segment

| Pin | Definition | Type | Description |
|------|------------|-------------------|--------------------------------------|
| PC1 | CDI | Input | Card Detect In |
| PC2 | PGND | Device GND | Device GND |
| PC3 | DEVSLP* | DEVSLP card input | DEVSLP enable |
| PC4 | | | No connect** |
| PC5 | | | No connect** |
| PC6 | | | No connect** |
| PC7 | PGND | Device GND | Device GND |
| PC8 | LED1 | LED Output | Power indicator |
| PC9 | LED2 | LED Output | Access indicator |
| PC10 | | | No connect** |
| PC11 | | | Write Protect*** |
| PC12 | IFDet | GND | Card output, connect to PGND on card |
| PC13 | PWR | 3.3V | Device power (3.3V) |
| PC14 | PWR | 3.3V | Device power (3.3V) |
| PC15 | PGND | Device GND | Device GND |
| PC16 | PGND | Device GND | Device GND |
| PC17 | CDO | Output | Card Detect Out |

*Optional

**Reserved by Apacer, please do not connect on a host.

***Enabled by adjusting the pin "PC11" from high to low active (from 1Mohm to 100Kohm)

Notes about Write Protect:

Apacer implements the Virtual Write scheme that allows write commands to go through the flash controller and data is temporarily stored, but no data has been actually written into the flash. Once the host resets or restarts the system, all the temporarily stored data will disappear and nowhere to be found in the drive. Since the Virtual Write scheme runs at device level, it requires no software or driver installation and is independent from the host OS.

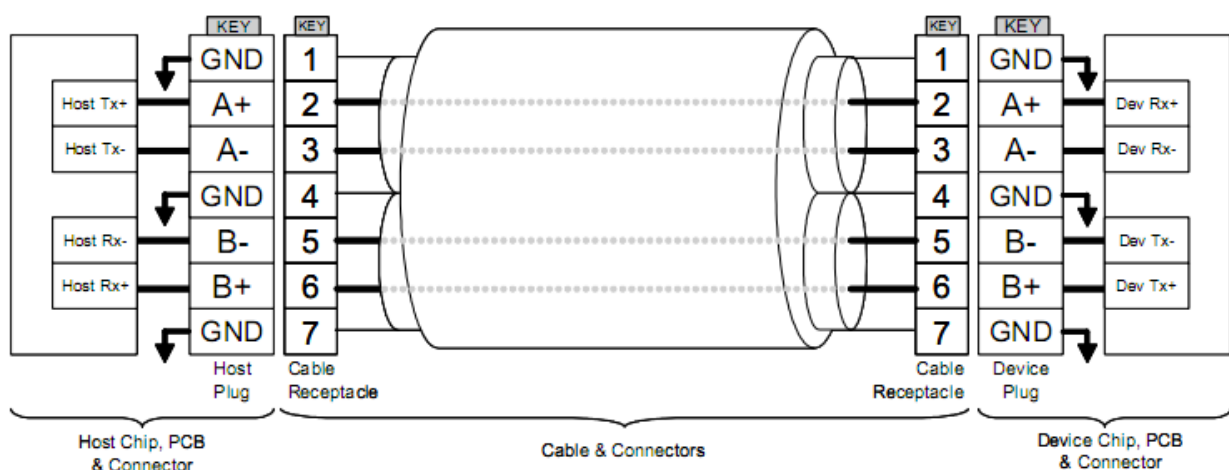


Figure 3-2 SATA Cable / Connector Connection Diagram

The connector on the left represents the Host with TX/RX differential pairs connected to a cable while the connector on the right shows the Device with TX/RX differential pairs also connected to the cable. Notice also the ground path connecting the shielding of the cable to the Cable Receptacle.

4. Product Specifications

4.1 Capacity

Capacity specifications of the SM230-CFast 2.0 are available as shown in Table 4-1. It lists the specific capacity and the default numbers of heads, sectors and cylinders for each product line.

Table 4-1 Capacity Specifications

| Capacity | Total bytes* | Cylinders | Heads | Sectors | Total LBA |
|----------|-----------------|-----------|-------|---------|-------------|
| 8 GB | 8,012,390,400 | 15,525 | 16 | 63 | 15,649,200 |
| 16 GB | 16,013,942,784 | 16,383 | 16 | 63 | 31,277,232 |
| 32 GB | 32,017,047,552 | 16,383 | 16 | 63 | 62,533,296 |
| 64 GB | 64,023,257,088 | 16,383 | 16 | 63 | 125,045,424 |
| 128 GB | 128,035,676,160 | 16,383 | 16 | 63 | 250,069,680 |
| 256 GB | 256,060,514,304 | 16,383 | 16 | 63 | 500,118,192 |

*Display of total bytes varies from file systems, which means not all of the bytes can be used for storage.

**Notes: 1 GB = 1,000,000,000 bytes; 1 sector = 512 bytes.

LBA count addressed in the table above indicates total user storage capacity and will remain the same throughout the lifespan of the device. However, the total usable capacity of the SSD is most likely to be less than the total physical capacity because a small portion of the capacity is reserved for device maintenance usages.

4.2 Performance

Performance of SM230-CFast 2.0 product family is available as shown in Table 4-2 and 4-3.

Table 4-2 Performance Specifications (Standard)

| Capacity | 8 GB | 16 GB | 32 GB | 64 GB | 128 GB | 256 GB |
|---------------------------------|-------|--------|--------|--------|--------|--------|
| Performance | | | | | | |
| Sequential Read* (MB/s) | 135 | 280 | 560 | 560 | 560 | 560 |
| Sequential Write* (MB/s) | 60 | 125 | 265 | 235 | 455 | 440 |
| Random Read IOPS** (4K) | 7,000 | 15,000 | 27,000 | 26,000 | 40,000 | 40,000 |
| Random Write IOPS** (4K) | 6,000 | 15,000 | 39,000 | 38,000 | 64,000 | 67,000 |

Table 4-3 Performance Specifications (AES & Opal Implemented)

| Capacity | 8 GB | 16 GB | 32 GB | 64 GB | 128 GB | 256 GB |
|---------------------------------|-------|--------|--------|--------|--------|--------|
| Performance | | | | | | |
| Sequential Read* (MB/s) | 135 | 275 | 560 | 560 | 560 | 560 |
| Sequential Write* (MB/s) | 65 | 115 | 265 | 230 | 440 | 430 |
| Random Read IOPS** (4K) | 7,000 | 14,000 | 25,000 | 25,000 | 33,000 | 33,000 |
| Random Write IOPS** (4K) | 6,000 | 15,000 | 36,000 | 36,000 | 58,000 | 61,000 |

Note:

Results may differ from various flash configurations or host system setting.

*Sequential performance is based on CrystalDiskMark 5.2.1 with file size 1,000MB.

**Random performance measured using IOMeter with Queue Depth 32.

4.3 Environmental Specifications

Environmental specifications of SM230-CFast 2.0 are shown in Table 4-4.

Table 4-4 Environmental Specifications

| Item | Specifications |
|-------------------------|--|
| Operating temp. | 0°C to 70°C (Standard); -40°C to 85°C (Wide) |
| Non-operating temp. | -55°C to 100°C |
| Operating vibration | 7.69 GRMS, 20~2000 Hz/random (compliant with MIL-STD-810G) |
| Non-operating vibration | 4.02 GRMS, 15~2000 Hz/random (compliant with MIL-STD-810G) |
| Operating shock | 50G, 11ms |
| Non-operating shock | 1500G, 0.5ms (compliant with MIL-STD-883K) |

Note: This Environmental Specification table indicates the conditions for testing the device. Real world usages may affect the results.

4.4 Mean Time Between Failures (MTBF)

Mean Time Between Failures (MTBF) is predicted based on reliability data for the individual components in SM230-CFast 2.0. Serving as statistical reference, the prediction result for SM230-CFast is more than 1,000,000 hours.

Note: The MTBF is predicated and calculated based on “Telcordia Technologies Special Report, SR-332, Issue 3” method.

4.5 Certification and Compliance

SM230-CFast 2.0 complies with the following standards:

- CE
- FCC
- RoHS
- MIL-STD-810G

4.6 Endurance

The endurance of a storage device is predicted by TeraBytes Written based on several factors related to usage, such as the amount of data written into the drive, block management conditions, and daily workload for the drive. Thus, key factors, such as Write Amplifications and the number of P/E cycles, can influence the lifespan of the drive.

Table 4-5 Endurance Specifications

| Capacity | TeraBytes Written |
|----------|-------------------|
| 8 GB | 13 |
| 16 GB | 26 |
| 32 GB | 56 |
| 64 GB | 123 |
| 128 GB | 253 |
| 256 GB | 500 |

Note:

- This estimation complies with JEDEC JESD-219, enterprise endurance workload of random data with payload size distribution.
- Flash vendor guaranteed MLC P/E cycle: 3K
- WAF may vary from capacity, flash configurations and writing behavior on each platform.
- 1 Terabyte = 1,024GB

5. Flash Management

5.1 Error Correction/Detection

SM230-CFast 2.0 implements a hardware ECC scheme, based on the BCH algorithm. It can detect and correct up to 76 bits error in 1K bytes.

5.2 Bad Block Management

Current production technology is unable to guarantee total reliability of NAND flash memory array. When a flash memory device leaves factory, it comes with a minimal number of initial bad blocks during production or out-of-factory as there is no currently known technology that produce flash chips free of bad blocks. In addition, bad blocks may develop during program/erase cycles. Since bad blocks are inevitable, the solution is to keep them in control. Apacer flash devices are programmed with ECC, page mapping technique and S.M.A.R.T to reduce invalidity or error. Once bad blocks are detected, data in those blocks will be transferred to free blocks and error will be corrected by designated algorithms.

5.3 Global Wear Leveling

Flash memory devices differ from Hard Disk Drives (HDDs) in terms of how blocks are utilized. For HDDs, when a change is made to stored data, like erase or update, the controller mechanism on HDDs will perform overwrites on blocks. Unlike HDDs, flash blocks cannot be overwritten and each P/E cycle wears down the lifespan of blocks gradually. Repeatedly program/erase cycles performed on the same memory cells will eventually cause some blocks to age faster than others. This would bring flash storages to their end of service term sooner. Global wear leveling is an important mechanism that levels out the wearing of all blocks so that the wearing-down of all blocks can be almost evenly distributed. This will increase the lifespan of SSDs.

5.4 Flash Translation Layer – Page Mapping

Page mapping is an advanced flash management technology whose essence lies in the ability to gather data, distribute the data into flash pages automatically, and then schedule the data to be evenly written. Page-level mapping uses one page as the unit of mapping. The most important characteristic is that each logical page can be mapped to any physical page on the flash memory device. This mapping algorithm allows different sizes of data to be written to a block as if the data is written to a data pool and it does not need to take extra operations to process a write command. Thus, page mapping is adopted to increase random access speed and improve SSD lifespan, reduce block erase frequency, and achieve optimized performance and lifespan.

5.5 ATA Secure Erase

ATA Secure Erase is an ATA disk purging command currently embedded in most of the storage drives. Defined in ATA specifications, (ATA) Secure Erase is part of Security Feature Set that allows storage drives to erase all user data areas. The erase process usually runs on the firmware level as most of the ATA-based storage media currently in the market are built-in with this command. ATA Secure Erase can securely wipe out the user data in the drive and protects it from malicious attack.

5.6 Power Failure Management

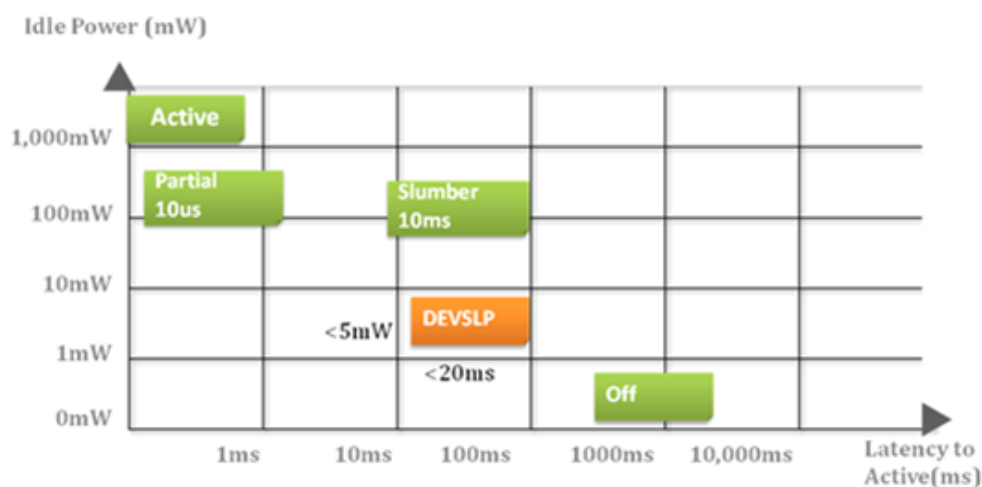
Power Failure Management plays a crucial role when power supply becomes unstable. Power disruption may occur when users are storing data into the SSD, leading to instability in the drive. However, with Power Failure Management, a firmware protection mechanism will be activated to scan pages and blocks once power is resumed. Valid data will be transferred to new blocks for merging and the mapping table will be rebuilt. Therefore, data reliability can be reinforced, preventing damage to data stored in the NAND Flash.

5.7 TRIM

TRIM is a SATA command that helps improve the read/write performance and efficiency of solid-state drives (SSD). The command enables the host operating system to inform SSD controller which blocks contain invalid data, mostly because of the erase commands from host. The invalid will be discarded permanently and the SSD will retain more space for itself.

5.8 Device Sleep (DevSleep or DEVSLP) Mode (optional)

Device Sleep is a feature that allows SATA devices to enter a low power mode by designating a particular pin as DEVSLP signal with an aim to reducing power consumption.



| Parameter | Description & Conditions | Min | Max |
|---------------|---|--------|-------------|
| V_{Din} | Tolerated input voltage. | -0.5 V | 3.6 V |
| $V_{HAssert}$ | Voltage presented to host if signal not driven low. Value specified for all allowable $I_{HAssert}$. | - | 2.4 V |
| $I_{HNegate}$ | Device current delivered to host if host driving signal low. Value specified at $V_{HNegate}$ voltage of 0 V. | - | 100 μ A |

5.9 SATA Power Management

By complying with SATA 6 Gb/s specifications, the SSD supports the following SATA power saving modes:

- ACTIVE: PHY ready, full power, Tx & Rx operational
- PARTIAL: Reduces power, resumes in under 10 μ s (microseconds)
- SLUMBER: Reduces power, resumes in under 10 ms (milliseconds)
- HIPM: Host-Initiated Power Management
- DIPM: Device-Initiated Power Management
- AUTO-SLUMBER: Automatic transition from partial to slumber.
- Device Sleep (DevSleep or DEVSLP): PHY powered down; power consumption \leq 5 mW; host assertion time \leq 10 ms; exit timeout from this state \leq 20 ms (unless specified otherwise in SATA Identify Device Log).

Note: The behaviors of power management features would depend on host/device settings.

5.10 Hyper Cache Technology

Apacer proprietary Hyper Cache technology, a non-volatile SLC write cache, provides excellent performance to handle various scenarios in industrial use.

Using this method, a portion of the available capacity is being treated as SLC (1bit-per-cell) NAND flash memory in the Multi-Level Cell (MLC) models, two bits per cell technology, consists of a number of low and high pages. Apacer Hyper Cache Technology collects low pages for extraordinary performance, called Hyper Cache mode. And, the rest of high pages are combined together and performs normal MLC performance, called MLC mode. When data is written to SSD, the firmware will direct the data to Hyper Cache mode, thus improving the write speeds drastically.

5.11 SMART Read Refresh™

Apacer's SMART Read Refresh plays a proactive role in avoiding read disturb errors from occurring to ensure health status of all blocks of NAND flash. Developed for read-intensive applications in particular, SMART Read Refresh is employed to make sure that during read operations, when the read operation threshold is reached, the data is refreshed by re-writing it to a different block for subsequent use.

6. Security Features

6.1 TCG Opal (optional)

Developed by the Trusted Computing Group (TCG), an organization whose members work together to formulate industry standards, Opal is a set of security specifications used for applying hardware-based encryption to storage devices.

Hardware encryption has many advantages. First of all, it transfers the computational load of the encryption process to dedicated processors, reducing the stress on the host system's CPU. In addition, storage devices complying with Opal specifications are self-encryption devices. Opal specifications also feature boot authentication. When the drive is being accessed, the shadow MBR will request the drive password at boot. The drive will only unlock and decrypt if the correct password is supplied. The other feature is LBA-specific permissions. Users are assigned different permissions for LBA ranges created by the device administrator. Each LBA range is password-protected and can only be accessed by users with the correct key to perform permitted actions (read/write/erase).

6.2 Advanced Encryption Standard (optional)

Advanced Encryption Standard (AES) is a specification for the encryption of electronic data. AES has been adopted by the U.S. government since 2001 to protect classified information and is now widely implemented in embedded computing applications. The AES algorithm used in software and hardware is symmetric so that encrypting/decrypting requires the same encryption key. Without the key, the encrypted data is inaccessible to ensure information security.

Notably in flash memory applications, AES 256-bit hardware encryption is the mainstream to protect sensitive or confidential data. The hardware encryption provides better performance, reliability, and security than software encryption. It uses a dedicated processor, which is built inside the controller, to process the encryption and decryption. This enormously shortens the processing time and makes it efficient.

7. Software Interface

7.1 Command Set

This section defines the software requirements and the format of the commands the host sends to SM230-CFast. Commands are issued to SM230-CFast by loading the required registers in the command block with the supplied parameters, and then writing the command code to the Command register.

Table 7-1 Command Set

| Code | Command | Code | Command |
|------|------------------------------|------|-------------------------|
| E5h | CHECK POWER MODE | F4h | SECURITY ERASE UNIT |
| 06h | DATA SET MANAGEMENT | F5h | SECURITY FREEZE LOCK |
| 92h | DOWNLOAD MICROCODE | F1h | SECURITY SET PASSWORD |
| 90h | EXECUTE DEVICE DIAGNOSTIC | F2h | SECURITY UNLOCK |
| E7h | FLUSH CACHE | 70h | SEEK |
| EAh | FLUSH CACHE EXT | EFh | SET FEATURES |
| ECh | IDENTIFY DEVICE | C6h | SET MULTIPLE MODE |
| E3h | IDLE | E6h | SLEEP |
| E1h | IDLE IMMEDIATE | B0h | SMART |
| 91h | INITIALIZE DEVICE PARAMETERS | E2h | STANDBY |
| E4h | READ BUFFER | E0h | STANDBY IMMEDIATE |
| C8h | READ DMA | E8h | WRITE BUFFER |
| 25h | READ DMA EXT | CAh | WRITE DMA |
| 60h | READ FPDMA QUEUED | 35h | WRITE DMA EXT |
| C4h | READ MULTIPLE | 3Dh | WRITE DMA FUA EXT |
| 29h | READ MULTIPLE EXT | 61h | WRITE FPDMA QUEUED |
| 2Fh | READ LOG EXT | 3Fh | WRITE LOG EXT |
| 47h | READ LOG DMA EXT | 57h | WRITE LOG DMA EXT |
| 20h | READ SECTOR | C5h | WRITE MULTIPLE |
| 24h | READ SECTOR EXT | 39h | WRITE MULTIPLE EXT |
| 40h | READ VERIFY SECTORS | CEh | WRITE MULTIPLE FUA EXT |
| 42h | READ VERIFY SECTORS EXT | 30h | WRITE SECTOR |
| 10h | RECALIBRATE | 34h | WRITE SECTOR EXT |
| F6h | SECURITY DISABLE PASSWORD | 45h | WRITE UNCORRECTABLE EXT |
| F3h | SECURITY ERASE PREPARE | | |

Table 7-2 Trusted Computing Feature Set

| Code | Command | Code | Command |
|------|---------------------|------|------------------|
| 5Ch | TRUSTED RECEIVE | 5Eh | TRUSTED SEND |
| 5Dh | TRUSTED RECEIVE DMA | 5Fh | TRUSTED SEND DMA |

Note: This feature set is only applicable to products implemented with AES and Opal functions.

7.2 S.M.A.R.T.

S.M.A.R.T. is an abbreviation for Self-Monitoring, Analysis and Reporting Technology, a self-monitoring system that provides indicators of drive health as well as potential disk problems. It serves as a warning for users from unscheduled downtime by monitoring and displaying critical drive information. Ideally, this should allow taking proactive actions to prevent drive failure and make use of S.M.A.R.T. information for future product development reference.

Apacer devices use the standard SMART command B0h to read data out from the drive to activate our S.M.A.R.T. feature that complies with the ATA/ATAPI specifications. S.M.A.R.T. Attribute IDs shall include initial bad block count, total later bad block count, maximum erase count, average erase count, power on hours and power cycle. When the S.M.A.R.T. Utility running on the host, it analyzes and reports the disk status to the host before the device reaches in critical condition.

Note: Attribute IDs may vary from product models due to various solution design and supporting capabilities.

Apacer memory products come with S.M.A.R.T. commands and subcommands for users to obtain information of drive status and to predict potential drive failures. Users can take advantage of the following commands/subcommands to monitor the health of the drive.

Table 7-3 SMART Subcommand Set

| Code | SMART Subcommand |
|------|-----------------------------------|
| D0h | READ DATA |
| D1h | READ ATTRIBUTE THRESHOLDS |
| D2h | ENABLE/DISABLE ATTRIBUTE AUTOSAVE |
| D4h | EXECUTE OFF-LINE IMMEDIATE |
| D5h | SMART READ LOG |
| D6h | SMART WRITE LOG |
| D8h | ENABLE OPERATIONS |
| D9h | DISABLE OPERATIONS |
| DAh | RETURN STATUS |

Table 7-4 General SMART Attribute Structure

| Byte | Description |
|-------|-------------|
| 0 | ID (Hex) |
| 1 – 2 | Status Flag |
| 3 | Value |
| 4 | Worst |
| 5*-11 | Raw Data |

*Byte 5: LSB

Table 7-5 SMART Attribute ID List

| ID (Hex) | Attribute Name |
|------------|------------------------------------|
| 9 (0x09) | Power-on Hours |
| 12 (0x0C) | Power Cycle Count |
| 163 (0xA3) | Max. Erase Count |
| 164 (0xA4) | Avg. Erase Count |
| 166 (0xA6) | Total Later Bad Block Count |
| 167 (0xA7) | SSD Protect Mode (Vendor Specific) |
| 168 (0xA8) | SATA PHY Error Count |
| 171 (0xAB) | Program Fail Count |
| 172 (0xAC) | Erase Fail Count |
| 175 (0xAF) | Bad Cluster Table Count |
| 192 (0xC0) | Unexpected Power Loss Count |
| 194 (0xC2) | Temperature |
| 231 (0xE7) | Lifetime Left |
| 241 (0xF1) | Total Sectors of Write |

8. Electrical Specifications

8.1 Operating Voltage

Table 8-1 lists the supply voltage for SM230-CFast 2.0.

Table 8-1 Operating Range

| Parameter | Symbol | Min | Type | Max | Units |
|--------------|--------|-------|------|-------|-------|
| Power Supply | Vcc | 3.135 | 3.3 | 3.465 | V |

8.2 Power Consumption

Table 8-2 lists the power consumption for SM230-CFast 2.0.

Table 8-2 Power Consumption

| Mode \ Capacity | Capacity | | | | | |
|--------------------|----------|-------|-------|-------|--------|--------|
| | 8 GB | 16 GB | 32 GB | 64 GB | 128 GB | 256 GB |
| Active (mA) | 385 | 460 | 640 | 650 | 665 | 675 |
| Idle (mA) | 135 | 135 | 135 | 130 | 135 | 135 |

Note:

*All values are typical and may vary depending on flash configurations or host system settings.

**Active power is an average power measurement performed using CrystalDiskMark with 128KB sequential read/write transfers.

9. Physical Characteristics

9.1 Dimensions

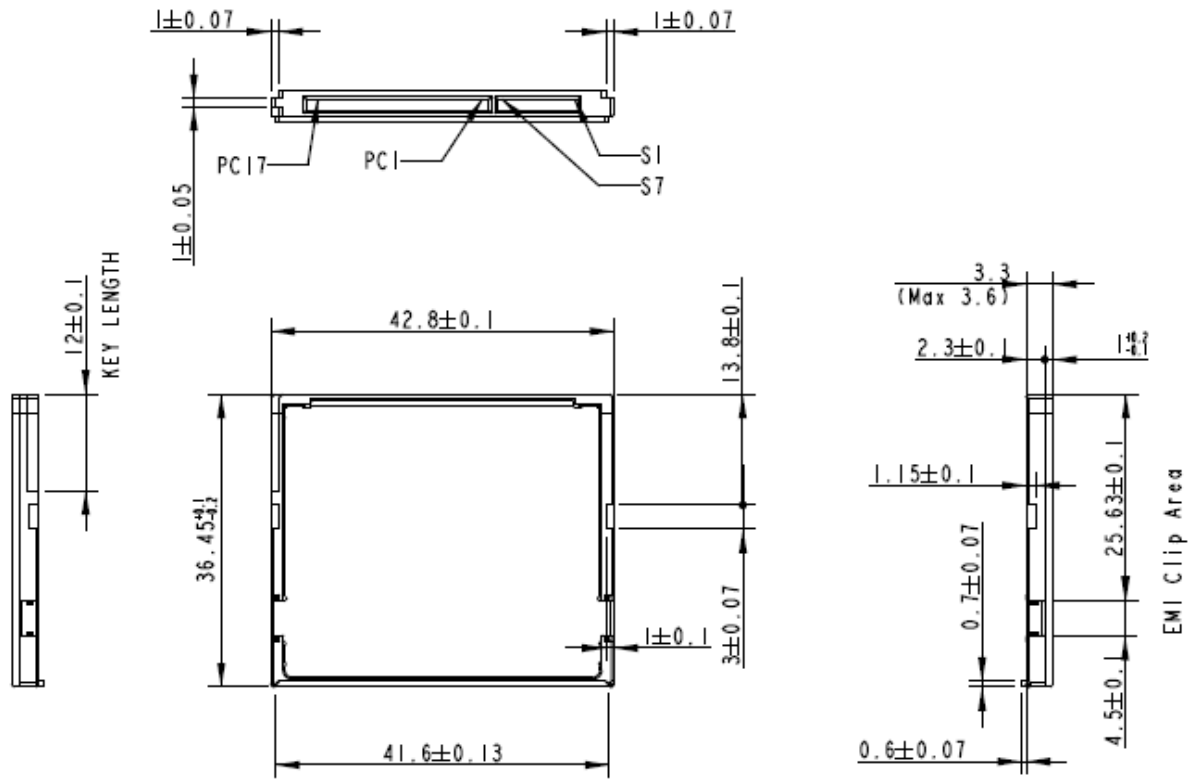


Figure 9-1 Dimensions

Unit: mm

9.2 Write Protect Switch (optional)

Apacer implements the Virtual Write scheme that allows write commands to go through the flash controller and data temporarily stored, but no data has been actually written into the flash. Once the system is reset and rebooted, the temporarily stored data will be lost and nowhere to be found in the system. Since the Virtual Write scheme runs at device level, it requires no software or driver installation and is independent from the host OS.

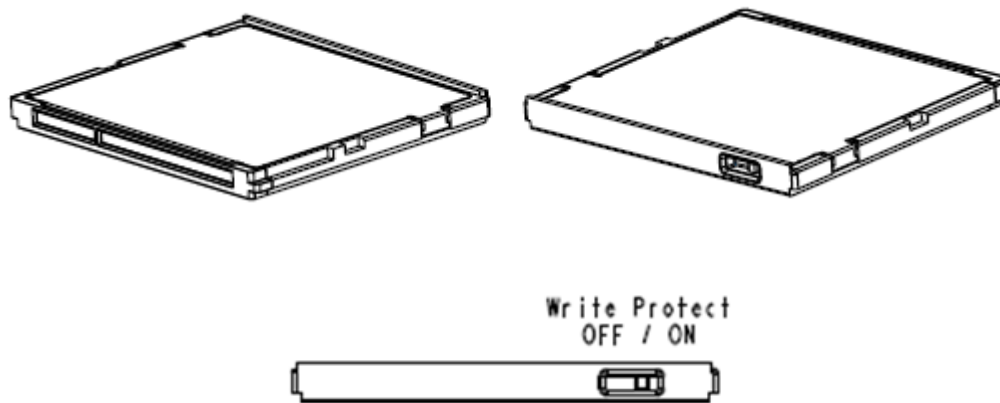
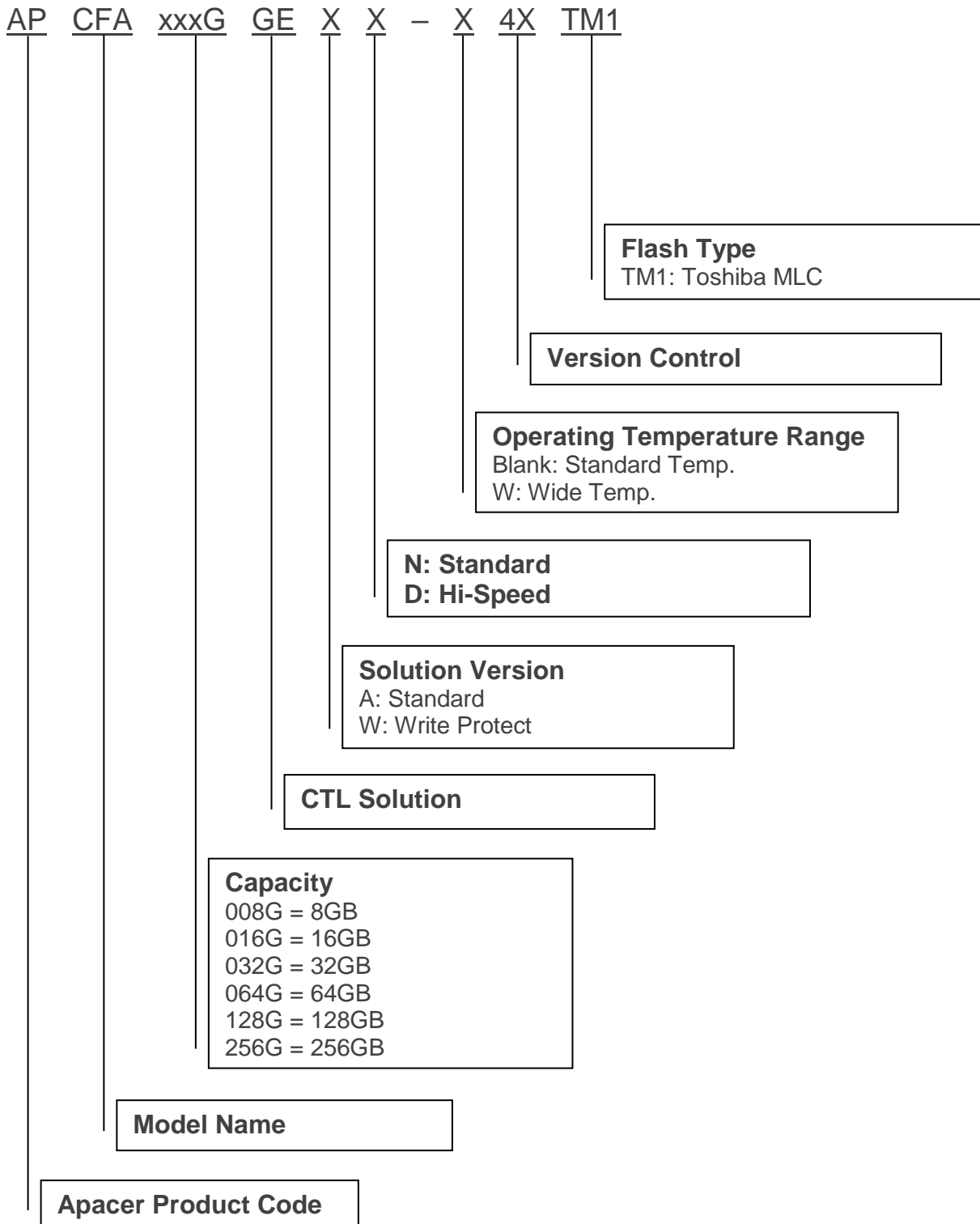


Figure 9-2 Write Protect Switch

10. Product Ordering Information

10.1 Product Code Designations



10.2 Valid Combinations

A. Standard

10.2.1 Without DEVSLP

| Capacity | Standard Temperature | Wide Temperature |
|----------|----------------------|----------------------|
| 8GB | APCFA008GGEAN-4ATM1 | APCFA008GGEAN-W4ATM1 |
| 16GB | APCFA016GGEAN-4ATM1 | APCFA016GGEAN-W4ATM1 |
| 32GB | APCFA032GGEAD-4ATM1 | APCFA032GGEAD-W4ATM1 |
| 64GB | APCFA064GGEAD-4ATM1 | APCFA064GGEAD-W4ATM1 |
| 128GB | APCFA128GGEAD-4ATM1 | APCFA128GGEAD-W4ATM1 |
| 256GB | APCFA256GGEAD-4ATM1 | APCFA256GGEAD-W4ATM1 |

10.2.2 With DEVSLP

| Capacity | Standard Temperature | Wide Temperature |
|----------|----------------------|----------------------|
| 8GB | APCFA008GGEAN-4BTM1 | APCFA008GGEAN-W4BTM1 |
| 16GB | APCFA016GGEAN-4BTM1 | APCFA016GGEAN-W4BTM1 |
| 32GB | APCFA032GGEAD-4BTM1 | APCFA032GGEAD-W4BTM1 |
| 64GB | APCFA064GGEAD-4BTM1 | APCFA064GGEAD-W4BTM1 |
| 128GB | APCFA128GGEAD-4BTM1 | APCFA128GGEAD-W4BTM1 |
| 256GB | APCFA256GGEAD-4BTM1 | APCFA256GGEAD-W4BTM1 |

10.2.3 Without DEVSLP + Write Protect

| Capacity | Standard Temperature | Wide Temperature |
|----------|----------------------|----------------------|
| 8GB | APCFA008GGEWN-4ATM1 | APCFA008GGEWN-W4ATM1 |
| 16GB | APCFA016GGEWN-4ATM1 | APCFA016GGEWN-W4ATM1 |
| 32GB | APCFA032GGEWD-4ATM1 | APCFA032GGEWD-W4ATM1 |
| 64GB | APCFA064GGEWD-4ATM1 | APCFA064GGEWD-W4ATM1 |
| 128GB | APCFA128GGEWD-4ATM1 | APCFA128GGEWD-W4ATM1 |
| 256GB | APCFA256GGEWD-4ATM1 | APCFA256GGEWD-W4ATM1 |

10.2.4 With DEVSLP + Write Protect

| Capacity | Standard Temperature | Wide Temperature |
|----------|----------------------|----------------------|
| 8GB | APCFA008GGEWN-4BTM1 | APCFA008GGEWN-W4BTM1 |
| 16GB | APCFA016GGEWN-4BTM1 | APCFA016GGEWN-W4BTM1 |
| 32GB | APCFA032GGEWD-4BTM1 | APCFA032GGEWD-W4BTM1 |
| 64GB | APCFA064GGEWD-4BTM1 | APCFA064GGEWD-W4BTM1 |
| 128GB | APCFA128GGEWD-4BTM1 | APCFA128GGEWD-W4BTM1 |
| 256GB | APCFA256GGEWD-4BTM1 | APCFA256GGEWD-W4BTM1 |

B. AES/Opal Function (optional)

10.2.5 Without DEVSLP

| Capacity | Standard Temperature | Wide Temperature |
|----------|----------------------|----------------------|
| 8GB | APCFA008GGEAN- 4GTM1 | APCFA008GGEAN-W4GTM1 |
| 16GB | APCFA016GGEAN- 4GTM1 | APCFA016GGEAN-W4GTM1 |
| 32GB | APCFA032GGEAD- 4GTM1 | APCFA032GGEAD-W4GTM1 |
| 64GB | APCFA064GGEAD- 4GTM1 | APCFA064GGEAD-W4GTM1 |
| 128GB | APCFA128GGEAD- 4GTM1 | APCFA128GGEAD-W4GTM1 |
| 256GB | APCFA256GGEAD- 4GTM1 | APCFA256GGEAD-W4GTM1 |

10.2.6 With DEVSLP

| Capacity | Standard Temperature | Wide Temperature |
|----------|----------------------|----------------------|
| 8GB | APCFA008GGEAN-4HTM1 | APCFA008GGEAN-W4HTM1 |
| 16GB | APCFA016GGEAN-4HTM1 | APCFA016GGEAN-W4HTM1 |
| 32GB | APCFA032GGEAD-4HTM1 | APCFA032GGEAD-W4HTM1 |
| 64GB | APCFA064GGEAD-4HTM1 | APCFA064GGEAD-W4HTM1 |
| 128GB | APCFA128GGEAD-4HTM1 | APCFA128GGEAD-W4HTM1 |
| 256GB | APCFA256GGEAD-4HTM1 | APCFA256GGEAD-W4HTM1 |

10.2.7 Without DEVSLP + Write Protect

| Capacity | Standard Temperature | Wide Temperature |
|----------|----------------------|----------------------|
| 8GB | APCFA008GGEWN-4GTM1 | APCFA008GGEWN-W4GTM1 |
| 16GB | APCFA016GGEWN-4GTM1 | APCFA016GGEWN-W4GTM1 |
| 32GB | APCFA032GGEWD-4GTM1 | APCFA032GGEWD-W4GTM1 |
| 64GB | APCFA064GGEWD-4GTM1 | APCFA064GGEWD-W4GTM1 |
| 128GB | APCFA128GGEWD-4GTM1 | APCFA128GGEWD-W4GTM1 |
| 256GB | APCFA256GGEWD-4GTM1 | APCFA256GGEWD-W4GTM1 |

10.2.8 With DEVSLP + Write Protect

| Capacity | Standard Temperature | Wide Temperature |
|----------|----------------------|----------------------|
| 8GB | APCFA008GGEWN-4HTM1 | APCFA008GGEWN-W4HTM1 |
| 16GB | APCFA016GGEWN-4HTM1 | APCFA016GGEWN-W4HTM1 |
| 32GB | APCFA032GGEWD-4HTM1 | APCFA032GGEWD-W4HTM1 |
| 64GB | APCFA064GGEWD-4HTM1 | APCFA064GGEWD-W4HTM1 |
| 128GB | APCFA128GGEWD-4HTM1 | APCFA128GGEWD-W4HTM1 |
| 256GB | APCFA256GGEWD-4HTM1 | APCFA256GGEWD-W4HTM1 |

Note: Valid combinations are those products in mass production or will be in mass production. Consult your Apacer sales representative to confirm availability of valid combinations and to determine availability of new combinations.

Revision History

| Revision | Description | Date |
|----------|---|-----------|
| 1.0 | Official release | 7/17/2018 |
| 1.1 | <ul style="list-style-type: none"> - Removed Reliability section from Specifications Overview - Added "optional" to Device Sleep on Specifications Overview page and to 5.8 DEVSLP (DevSleep or DEVSLP) Mode - Removed 6.3 Thermal Sensor and 6.4 Thermal Management Technique | 7/31/2018 |
| 1.2 | <ul style="list-style-type: none"> - Added Endurance to Specifications Overview page - Added 4.6 Endurance - Renamed Power Failure Management to DataDefender at Flash Management on Specifications Overview page and 5.6 section and updated the technology description - Renamed extended temperature to wide temperature | 1/9/2019 |
| 1.3 | <ul style="list-style-type: none"> - Updated Performance on Specifications Overview page - Updated 4.2 Performance and 8.2 Power Consumption - Updated 10. Product Ordering Information due to FW change | 8/16/2019 |
| 1.4 | <ul style="list-style-type: none"> - Changed SATA 6.0 Gbps to SATA 6 Gb/s in accordance with SATA naming guidelines - Updated operating/non-operating vibration spec at Table 4-3 Environmental Specifications - Capitalized every letter for commands at 7.1 Command Set and SMART subcommand at 7.2 S.M.A.R.T. | 3/19/2020 |
| 1.5 | <ul style="list-style-type: none"> - Updated compliance version with SATA Interface from 3.1 to 3.2 on Specifications Overview page - Replaced DataDefender with Power Failure Management and added Hyper Cache Technology and SMART Read Refresh to Flash Management on Specifications Overview page - Updated Table 4-1 by changing max LBA to total LBA - Modified the issue version for the note at 4.4 Mean Time Between Failures (MTBF) - Updated the notes for 4.6 Endurance - Added 5.10 Hyper Cache Technology and 5.11 SMART Read Refresh - Modified 7.1 Command Set | 6/16/2020 |
| 1.6 | Updated the description of 5.2 Bad Block Management | 6/19/2020 |

| Revision | Description | Date |
|----------|---|-----------|
| 1.7 | <ul style="list-style-type: none"> - Updated Performance, Power Consumption and Endurance on Specifications Overview page - Updated Table 3-1 - Updated Tables 4-2, 4-3 and 4-5 - Updated 10. Product Ordering Information due to FW change | 4/13/2021 |
| 1.8 | <ul style="list-style-type: none"> - Updated storage temperature from -40°C -100°C to -55°C -100°C | 8/29/2022 |