

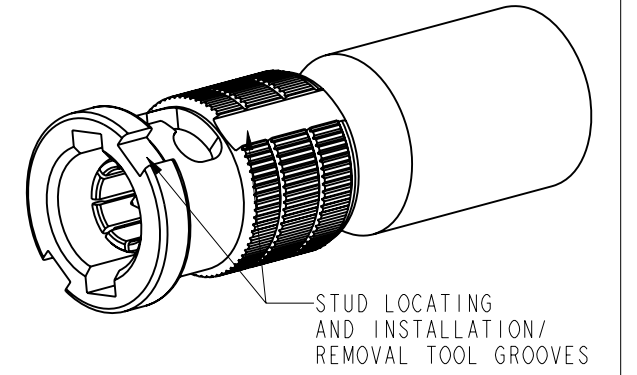
NOTES:

1. MATERIALS AND FINISHES:  
 BODY - BRASS, GOLD PLATING  
 OUTER CONTACT AND CONTACT - BeCu, GOLD PLATING  
 BAYONET SLEEVE - BRASS, NICKEL PLATING  
 INSULATOR - PTFE
2. ELECTRICAL:  
 A. IMPEDANCE: 50 OHM  
 B. FREQUENCY RANGE: DC - 6 GHz  
 C. RETURN LOSS : -35 dB @ DC - 3 GHz  
                       -30 dB @ 3 - 6 GHz
3. MECHANICAL:  
 A. DURABILITY: 500 CYCLES MIN.  
 B. TEMPERATURE RANGE: -55° C TO +125° C
4. HIGH DENSITY INSTALLATION/REMOVAL TOOL: 227-T2000
5. PACKAGING:  
 A. QUANTITY: SINGLE PACK  
 B. MARKING: BAG TO BE MARKED:  
    "AMPHENOL RF, APH-HDBNCP-T-50 DATE CODE"  
    U.S. PATENT NO. 7,553,177"

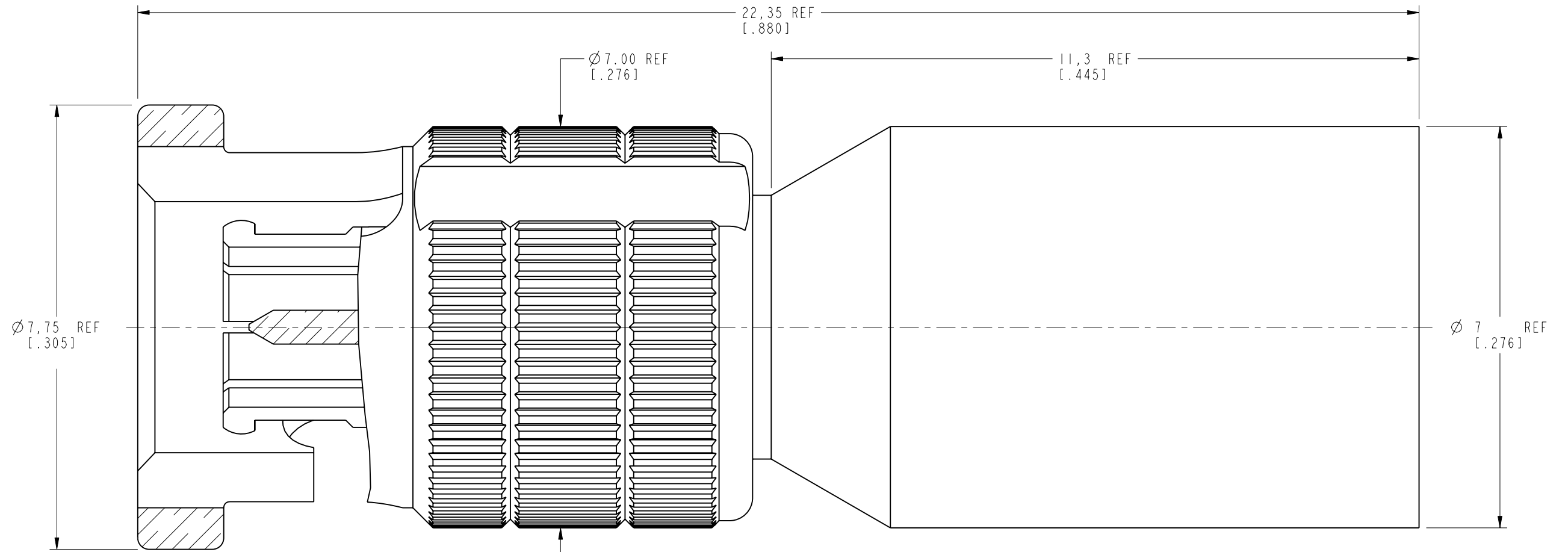
THIRD ANGLE PROJ.

REVISIONS

REV	DESCRIPTION	DATE	ECO	APPR
A	RELEASE TO MFG.	21-Mar-14	49420	JC



SCALE 3.500



**PROTECTED UNDER U.S. PATENT # 7,553,177**

**CUSTOMER OUTLINE DRAWING**

ALL OTHER SHEETS ARE FOR INTERNAL USE ONLY

UNLESS OTHERWISE SPECIFIED, DIMENSIONS ARE IN METRIC AND TOLERANCES ARE: <0.5mm ±0.05mm    0.5 - 6mm ±0.1mm    6 - 30mm ±0.2mm    30 - 120mm ±0.3mm    ANGLES ±1°	MATERIAL	DRAWN	DATE	TITLE 50 OHM HD BNC PLUG TERMINATION		Amphenol RF www.amphenolrf.com
	SEE NOTES	J. CHENG	21-Mar-14			
NOTICE - These drawings, specifications, or other data (1) are, and remain the property of Amphenol corp. (2) must be returned upon request; and (3) are confidential and not to be disclosed to any person other than those to whom they are given by Amphenol Corp. the furnishing of these drawings, specifications, or other data by Amphenol Corp., or to any other person to anyone for any purpose is not to be regarded by implication or otherwise in any manner licensing, granting rights to permitting such holder or any other person to manufacture, use or sell any product, process or design, patented or otherwise, that may in any way be related to or disclosed by said drawings, specifications, or other data.	REFERENCE	ENGINEER	DATE	SCALE: 12.6:1.0   SHEET 2 OF 2		DRAWING NO. APH-HDBNCP-T-50
	EAR # 4505	A. ARUN PRABU	18-Oct-11	DWG SIZE B		ITEM NO. APH-HDBNCP-T-50
	CONFIGURATION LEVEL: <input type="checkbox"/> <input type="checkbox"/> <input type="checkbox"/> <input type="checkbox"/>	APPROVED	DATE	REV	PART NO. APH-HDBNCP-T-50	
FINISH	S. HSIEH	04-Apr-14	A			