

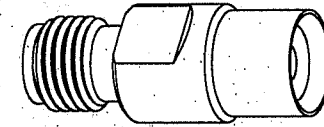
NOTES:

1. MATERIALS AND FINISHES (PLATING THICKNESS IN MICRO-INCHES):
 BODY - BRASS, GOLD PLATING(5 MIN.THICK) OVER NiPn (100 MIN.THICK)
 CONTACT - BeCu, GOLD PLATING(5 MIN.THICK) OVER NiPn (100 MIN.THICK)
 INSULATOR - PTFE
2. ELECTRICAL:
 A. IMPEDANCE : 50 OHM
 B. FREQUENCY RANGE : DC - 6.0 GHz
 C. VSWR : 1.3 MAX.
3. MECHANICAL:
 A. DURABILITY: 500 CYCLES MIN.
 B. TEMPERATURE RANGE: -65° C TO +165° C
4. PACKAGING:
 A. QUANTITY: SINGLE PACK
 B. MARKING: BAG TO BE MARKED
 "AMPHENOL, APH-SMAF-AF1F, AND DATE CODE"

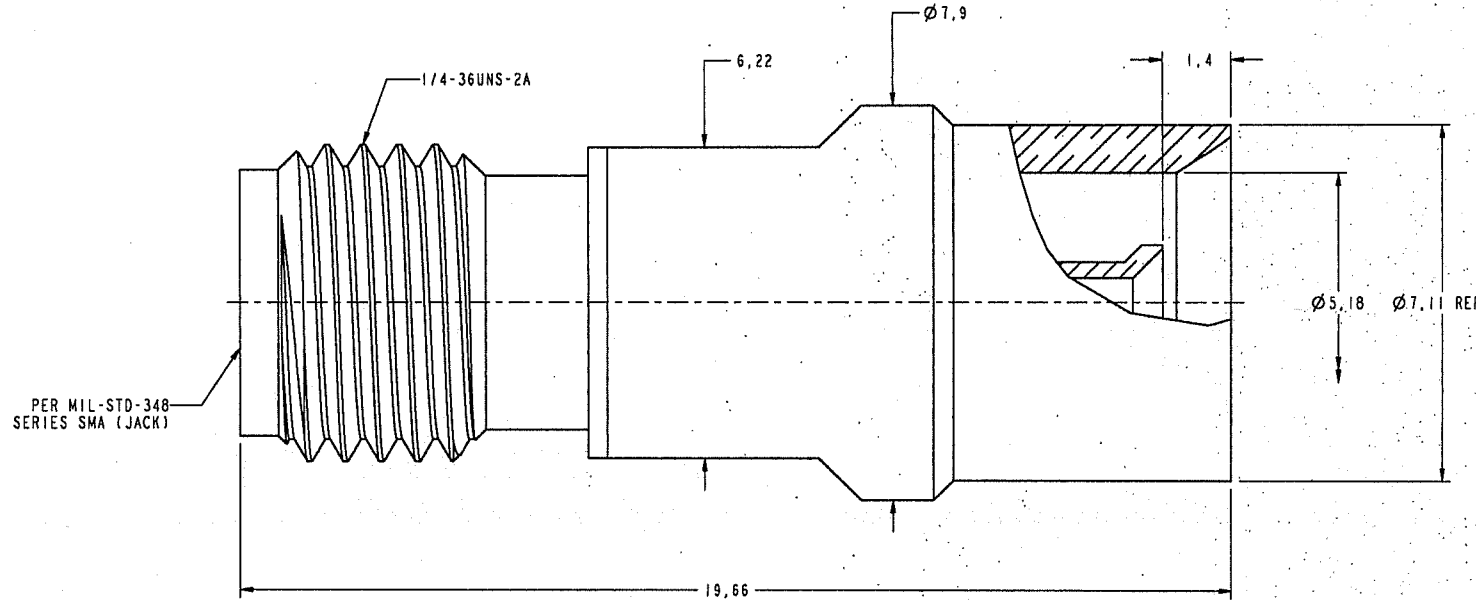
THIRD ANGLE PROJ

REVISIONS

REV	DESCRIPTION	DATE	ECO	APPR
A	RELEASE TO MFG.	26-Nov-08	--	[Signature]



SCALE: 3.00



CUSTOMER OUTLINE DRAWING
 ALL OTHER SHEETS ARE FOR INTERNAL USE ONLY.

UNLESS OTHERWISE SPECIFIED, DIMENSIONS ARE IN METRIC AND TOLERANCES ARE: 0.5 - 6mm ±0.1mm 6 - 30mm ±0.2mm 30 - 120mm ±0.3mm ANGLES ±1° NOTICE - These drawings, specifications, or other data (1) are, and remain the property of Amphenol corp. (2) must be returned upon request; and (3) are confidential and not to be disclosed to any person other than those to whom they are given by Amphenol Corp. The furnishing of these drawings, specifications, or other data by Amphenol Corp., or to any other person to anyone for any purpose is not to be regarded by implication or otherwise in any manner licensing, granting rights to permitting such holder or any other person to manufacture, use or sell any product, process or design, patented or otherwise, that may in any way be related to or disclosed by said drawings, specifications, or other data.	MATERIAL	DRAWN M. HOYACK DATE 10-Apr-07	TITLE	SMA(F) TO AF1(F) ADAPTER		Amphenol RF Danbury CT USA, Tainan, Taiwan, Shenzhen, China www.amphenolrf.com	
	REFERENCE EAR # 1370	ENGINEER M. HOYACK DATE 10-Apr-07	APPROVED H. PARIKH DATE 14-May-08				
	FINISH	1: \AF1\APH-SMAF-AF1F	DWG SIZE B	CODE 10 74868	REV A	ITEM NO. APH-SMAF-AF1F	PART NO. APH-SMAF-AF1F