

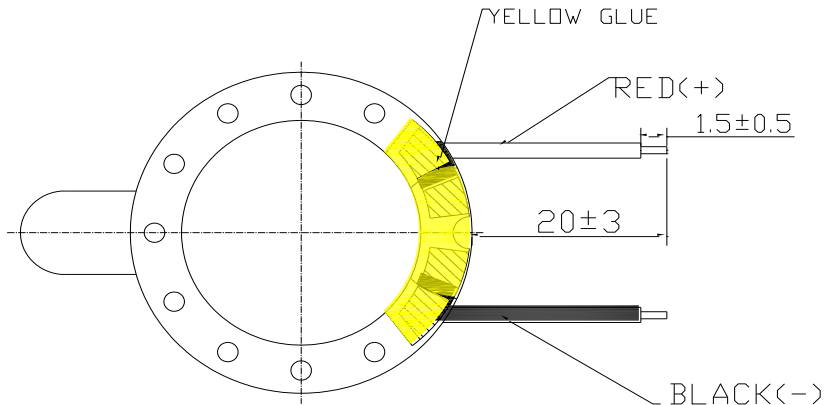
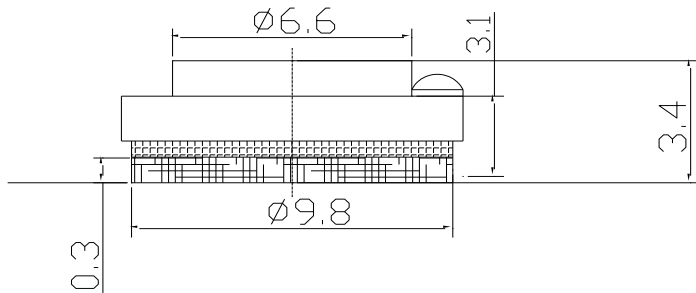
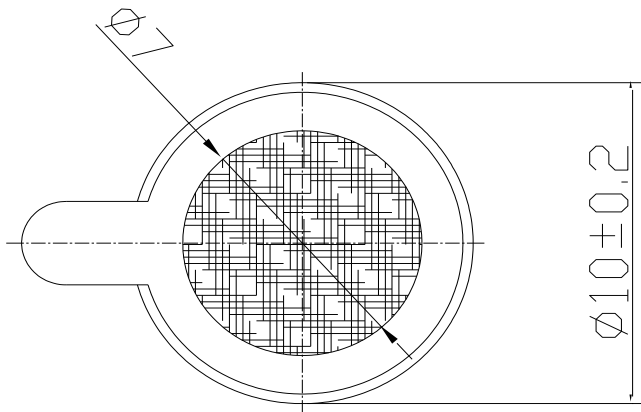
File Name:

## 1. SPECIFICATION

AR-1032IA-4W (RoHS)

ITEMS.		SPECIFICATIONS
01	Type	Dynamic 10 mm receiver unit
02	Sensitivity (S.P.L)	104dB $\pm$ 3 dB at 1kHz 100 mV with IEC 318 coupler
03	Impedance.	32 Ohm $\pm$ 15% at 1KHz
04	Frequency Range	300 – 3.4K Hz
05	Nominal Input Power	10 mW
06	Max. Input Power.	20 mW for 1 minute.
07	Total Harmonics Distortion	Max 5 % at 1K Hz,1 mW .

REV NO.	REVISION NOTE	APPROVAL	DATE
---------	---------------	----------	------



WIRE:UL1571 32 AWG

TITLE:	DYNAMIC RECEIVER		DRAWN:	TOM	2008/07/30	SCALE:	1:1	SHEET:	1 : 1
PART NO.	AR-1032IA-4W		DESIGNED:	R & D OF AAT		UNITS:	mm		
DWG NO.	EAD-145		CHECKED:			TOLERANCE	$\pm 0.5$		
			APPROVAL:			UNLESS OTHERWISE SPECIFIED:			
			MATERIAL:	****		ONE PLACE DECIMAL $\pm$ ***			
						TWO PLACE DECIMAL $\pm$ ***			
						THREE PLACE DECIMAL $\pm$ ***			



苙翔科技股份有限公司  
ADVANCED ACOUSTIC TECHNOLOGY CORPORATION