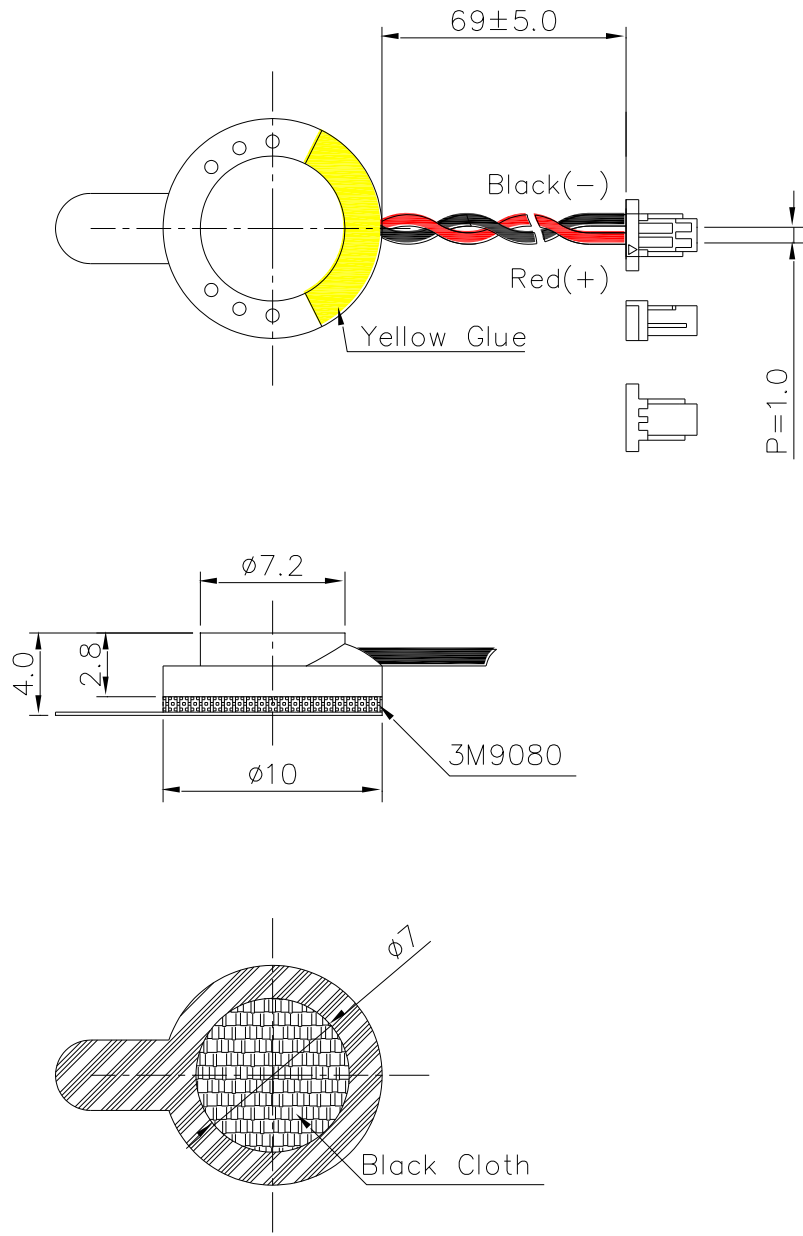


1. SPECIFICATION

AR-1032RA-14C1 (RoHS)

ITEMS.		SPECIFICATIONS
01	Type	Dynamic 10mm receiver unit
02	Sensitivity (S.P.L)	111dB \pm 3 dB at 1kHz 180mV with IEC 318 coupler
03	Impedance.	32Ohm \pm 15% at 1KHz
04	Frequency Range	100 – 10K Hz
05	Nominal Input Power	5 mW
06	Max. Input Power.	10 mW for 1 minute.
07	Total Harmonics Distortion	Max 5 % at 1K Hz, 5 mW .

REV NO.	REVISION NOTE	APPROVAL	DATE
---------	---------------	----------	------



CONNECTOR : JST-SHR-02V-S-B .(德通)

WIRE : UL 1571 , 30AWG .(德通)

RoHS

TITLE: DYNAMIC RECEIVER	DRAWN: Jason 2010/12/01	SCALE: 3:1	SHEET: 1 of 1
PART NO. AR-1032RA-14C1	DESIGNED: R & D OF AAT	UNITS: mm	TOLERANCE ± 0.3
DWG NO. HS-101201	CHECKED:	UNLESS OTHERWISE SPECIFIED:	
	APPROVAL:	ONE PLACE DECIMAL ± ***	
REV 1	MATERIAL: *****	TWO PLACE DECIMAL ± ***	
		THREE PLACE DECIMAL ± ***	



苙翔科技股份有限公司
ADVANCED ACOUSTIC TECHNOLOGY CORPORATION