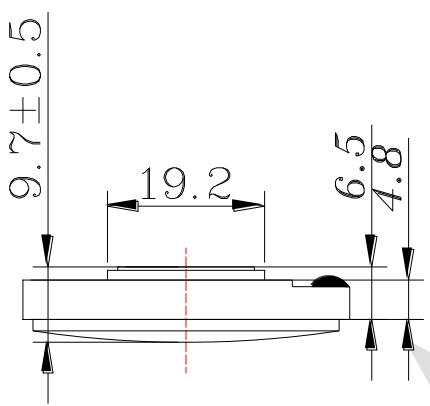
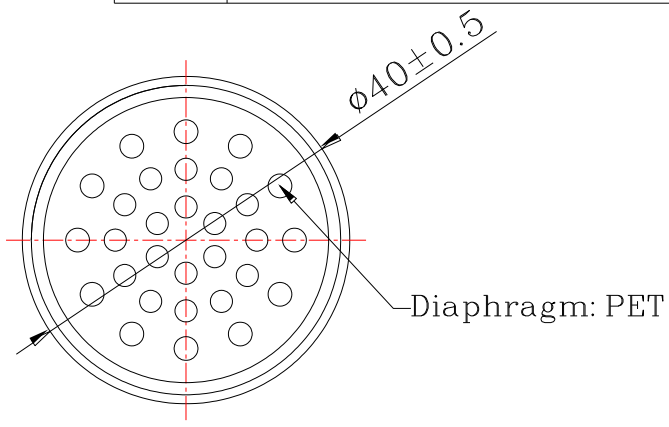


1. SPECIFICATION

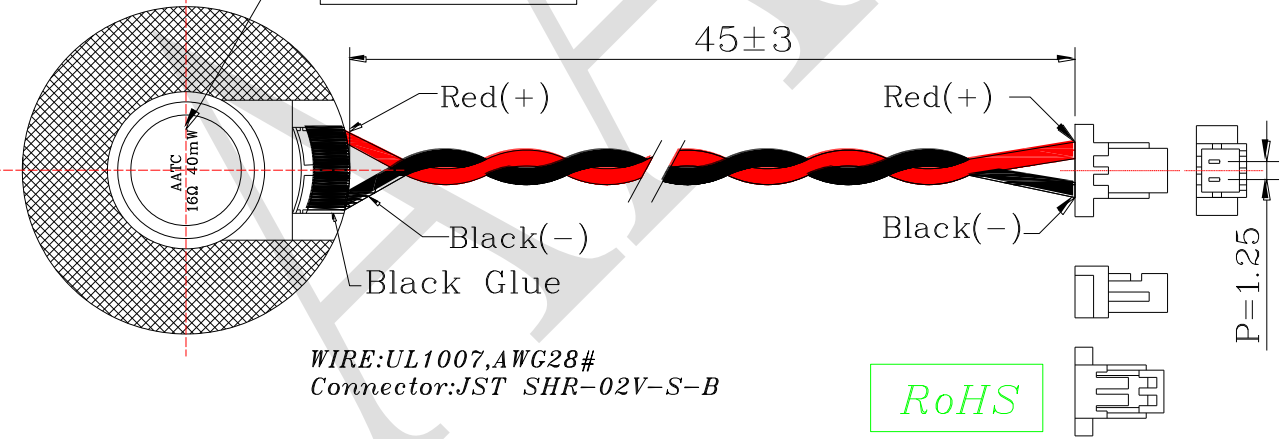
AR-4016-PP-1C

	ITEM	UNIT	SPECIFICATIONS	CONDITION
01	Dimension 尺寸	mm	Φ 40	Refer to attached drawing in details.
02	Input power 輸入功率	mW	40	White noise is applied for 96 hours.
03	Max. Input power 額定輸入最大功率	mW	Max. 60	at room temperature for 60s on and 120s off for 10 cycles.
04	Impedance 交流阻抗	Ω	16 ±15%	at 1KHz /1V.
05	S.P.L 音壓位準 Sound pressure level	dB	120±3	at 1KHz 126mV /1mW with IEC318 coupler.
06	Frequency range 有效頻寬	Hz	300~3.4K	
07	Frequency response 頻寬響應	Hz	20~23K	
08	T.H.D 總諧波失真 Total Harmonics Distortion	%	Max. 5	at 1KHz 126mV / Input power.

REV NO.	REVISION NOTE	APPROVAL	DATE
---------	---------------	----------	------



Print
AATC
16Ω 40mw



WIRE:UL1007,AWG28#
Connector:JST SHR-02V-S-B

RoHS

TITLE: DYNAMIC SPEAKER		DRAWN: Moose	2019-02-21	SCALE: 1:1	SHEET: 1 : 1
PART NO. AR-4016-PP-1C		DESIGNED: R & D OF AAT		UNITS: mm	TOLERANCE ± 0.5
DWC NO. CXR40097LP45-R16-A1		CHECKED:		UNLESS OTHERWISE SPECIFIED:	
		APPROVAL:		ONE PLACE DECIMAL \pm ***	
REV	1	MATERIAL: ABS		TWO PLACE DECIMAL \pm ***	
				THREE PLACE DECIMAL \pm ***	



ADVANCED ACOUSTIC TECHNOLOGY CORPORATION