

THIS DOCUMENT CONTAINS DATA PROPRIETARY TO PROJECTS UNLIMITED, INC. ANY USE OR REPRODUCTION, IN ANY FORM, WITHOUT PRIOR WRITTEN PERMISSION OF PROJECTS UNLIMITED, INC. IS PROHIBITED.  
© 2005, Projects Unlimited Inc.

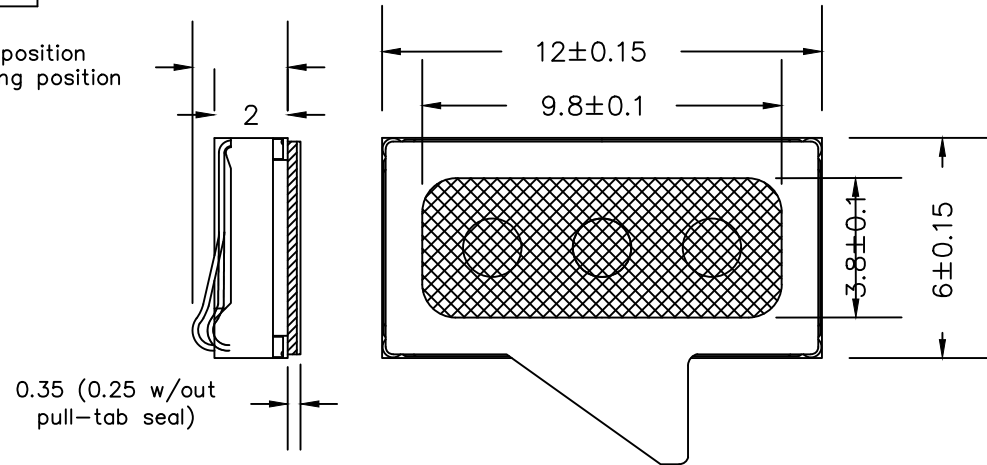
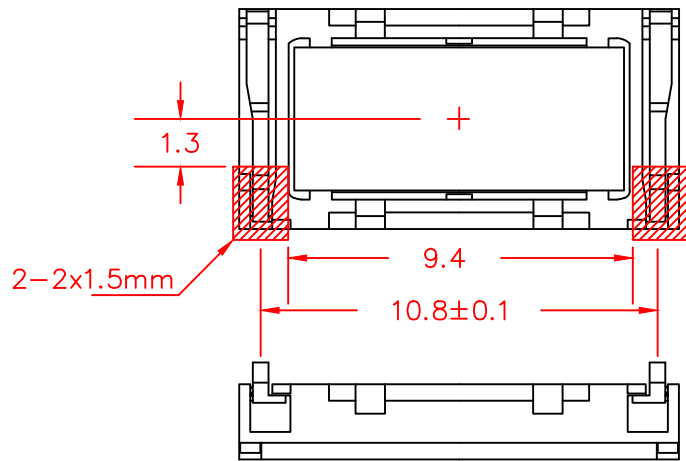
### SPECIFICATIONS

| PARAMETERS                                   | VALUES      | UNITS |
|--|-------------|-------|
| RATED INPUT POWER                            | .02         | W     |
| MAX INPUT POWER                              | .03         | W     |
| IMPEDANCE                                    | 32±15%      | OHM   |
| OUTPUT SPL @ 1.0 kHz, .02mW (IEC318 Coupler) | 117±3       | dBA   |
| DISTORTION (MAX.)                            | 5%          | -     |
| FREQUENCY RANGE                              | 300 ~ 7,000 | Hz    |
| HOUSING MATERIAL                             | PPA         | -     |
| CONE MATERIAL                                | PEEK        | -     |
| MAGNET MATERIAL                              | NdFeB       | -     |
| OPERATING TEMPERATURE                        | -40 ~ +80   | °C    |
| WEIGHT                                       | 0.4         | grams |

| REVISIONS |                           |         |          |
|-----------|---------------------------|---------|----------|
| LTR       | DESCRIPTION               | DATE    | APPROVED |
| -         | RELEASED FROM ENGINEERING | 10/1/18 |          |

Suggested pad layout in red

3±0.3 free position  
2.25±0.1 working position

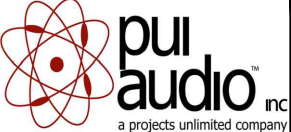


#### NOTES:

1. ALL DIMENSIONS ARE IN MILLIMETERS.
2. SPECIFICATION SUBJECT TO CHANGE OR WITHDRAWAL WITHOUT NOTICE.
3. PART IS IP67 RATED.
4. THIS PART IS RoHS 2011/65/EU COMPLIANT.

BASE PART:  
AR01232MS-SC12-WP-R

FILE NAME  
AR01232MS-SC12-WP-2-R.DWG

|   |      |  |   |
|---|------|--|---|
| UNLESS OTHERWISE SPECIFIED:<br>ALL PURCHASES ARE SUBJECT TO THE PUI AUDIO TERMS AND CONDITIONS SALE FOUND AT <a href="http://www.puiaudio.com/pdff/terms_conditions.pdf">http://www.puiaudio.com/pdff/terms_conditions.pdf</a> (paper copy available upon request).<br>DIMENSIONS ARE IN MILLIMETERS, TOLERANCES ARE ±0.5 AND ANGLES ARE ±3°. |      |  <p><b>pui audio</b><br/>a projects unlimited company</p> | 3541 Stop Eight Road<br>Dayton, Ohio 45414              |
| APPROVALS   | DATE |  |   |
| DRAWN   | M.L. | 2/18   | <b>RECEIVER</b><br>DRAWING NO.<br>AR01232MS-SC12-WP-2-R |
| CHECKED   | M.L. | 2/18   |   |
| APPROVED  | B.R. | 2/18   |   |
| SIZE  | A    | SCALE: N.T.S.  | SHEET 1 OF 1  |