

# AR0144\_CSP\_Demo3Head

Page	Description
1	Title Page
2	Block Diagram
3	Pinout
4	Sensor
5	Power
6	Clock and Reset
7	External Interfaces

Rev	Who	Date	Description
Rev 0.0	Joe KK	05/07/12	Initial
Rev 0.1	skumar	10/26/15	Initial
Rev 0.2	skumar	11/04/15 11/09/15	- Replaced C&K switch (PTS635SL25SMTRLFS) with TE switch part 147873-2 - Swapped parallel data signal at RP1,RP2,RP3 and RP4

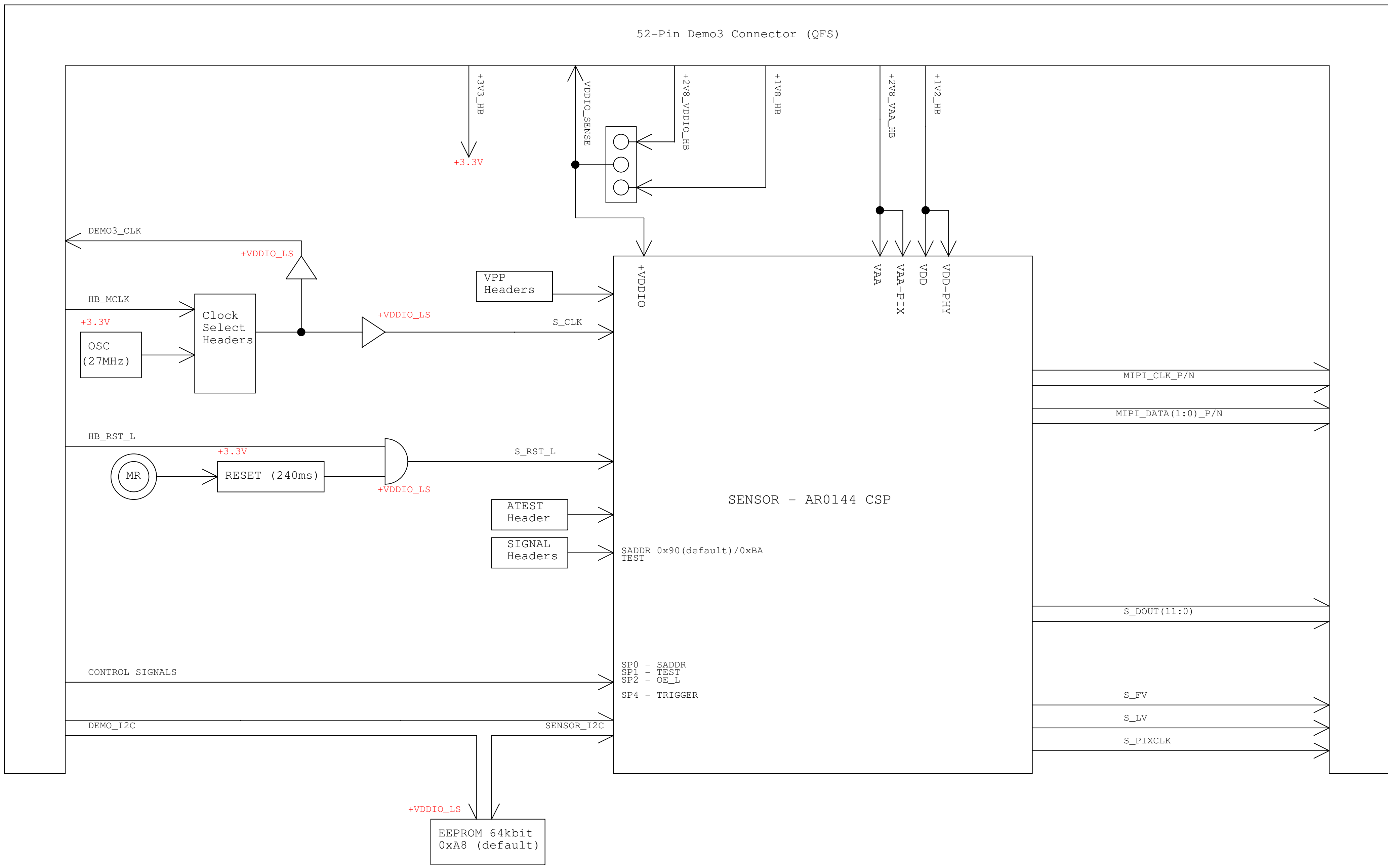



ON Semiconductor®

Title  
Title Page

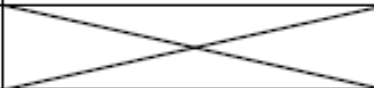
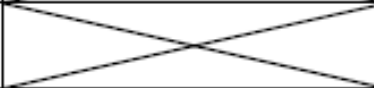
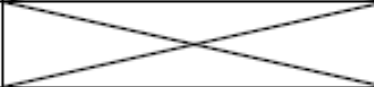
Size C	Document Name AR0144-CSP_Demo3Head	Rev 0.2
Date: Monday, November 09, 2015	Sheet 1	of 7

# Block Diagram



		
ON Semiconductor®		
Title: Block Diagram		
Size: C	Document Name: AR0144-CSP_Demo3Head	Rev: 0.2
Date: Tuesday, November 03, 2015	Sheet: 2	of 7

# Pinout

	1	2	3	4	5	6	7	8	9
A	DGND	VDDIO2V8R1V8	DVDD1V2	DATA1_P	CLK_P	DATA0_P	SHUTTER	TEST	
B	LINE_VALID	DVDD1V2	EXTCLK	DATA1_N	CLK_N	DATA0_N	SADDR	VDDIO2V8R1V8	
C	DOUT11	VDDIO2V8R1V8	PIXCLK	FRAME_VALID	DVDD1V2PHY	DVDD1V2	SCL	VDDIO2V8R1V8	
D	DOUT7	DOUT8	DOUT9	DOUT10	DGND	DGND	OUTPUT_ENABLE_N	DVDD1V2	AGND
E	DOUT5	DOUT6	VDDIO2V8R1V8	DOUT4	DOUT3	SDA	TRIGGER	DGND	VAAHV_NPIX
F	DGND	DVDD1V2	DOUT2	DOUT1	DOUT0	FLASH	DGND	DGND	VAAPIX_2V8
G	RESET_N	VAA2V8	AGND	DVDD1V2	DVDD1V2	DVDD1V2	AGND	VAA2V8	ATEST
H	VAA2V8	VAA2V8	AGND	DGND	DGND	DGND	AGND	VAA2V8	VAA2V8

TOP SIDE VIEW

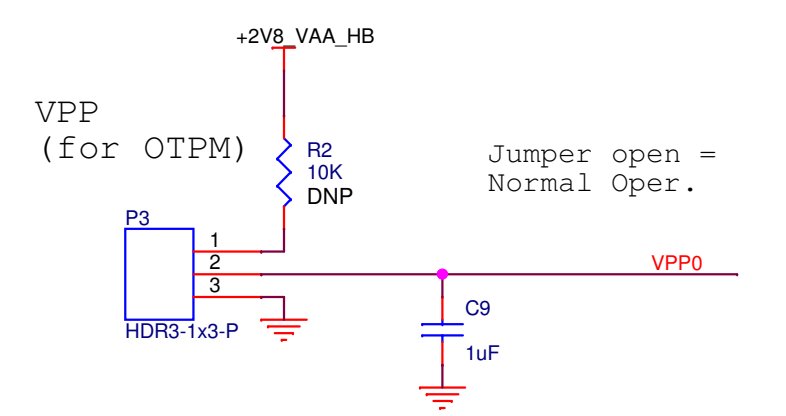
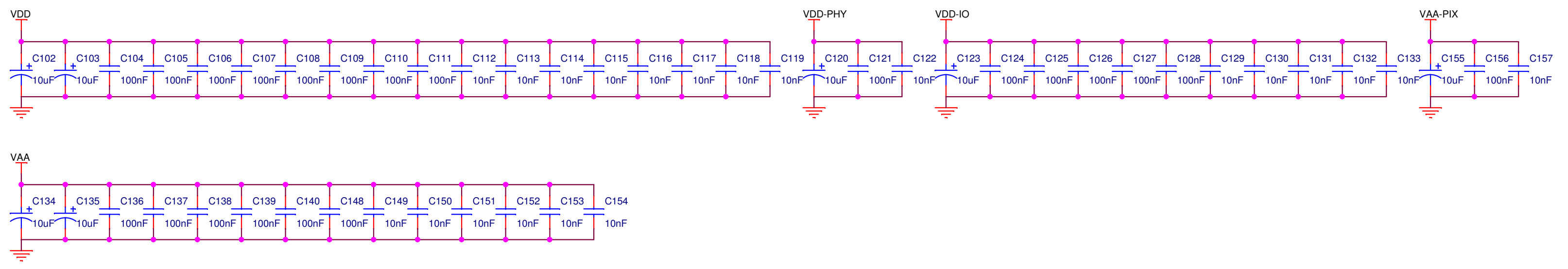


ON Semiconductor®

Title		Pinout	
Size	Document Name	Rev	
C	AR0144-CSP_Demo3Head	0.2	
Date:	Tuesday, November 03, 2015	Sheet	3 of 7

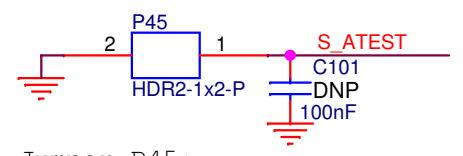
# Sensor

5	+5V0		+5V0	5
5	+3V3		+3V3	5,6
5	+VDDIO_LS		+VDDIO_LS	5,6,7
5	VDD		VDD	
5	VDD-PHY		VDD-PHY	
5	VDD-IO		VDD-IO	
5	VAA		VAA	
5	VAA-PIX		VAA-PIX	



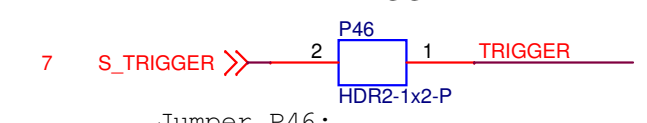
### Layout Note

Place C101 near BGA Pin ATEST1



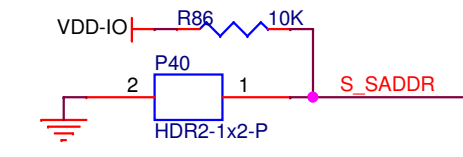
Jumper P45:  
Short : (Default) (ATEST->GND)

### TRIGGER



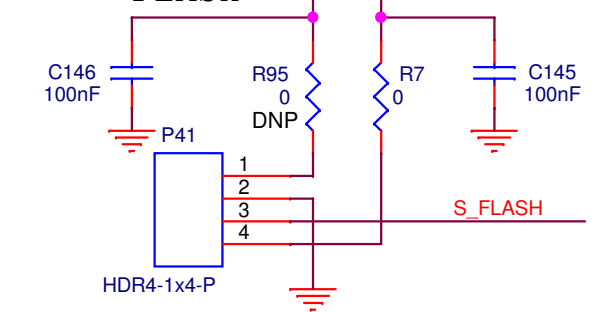
Jumper P46:  
Short : (Default)  
Open : Connect function generator between pin 1 and GND

### SADDR

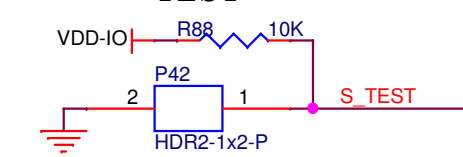


P40 : SHORT Default 0x20  
: OPEN 0x30

### FLASH

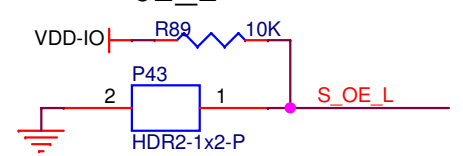


### TEST



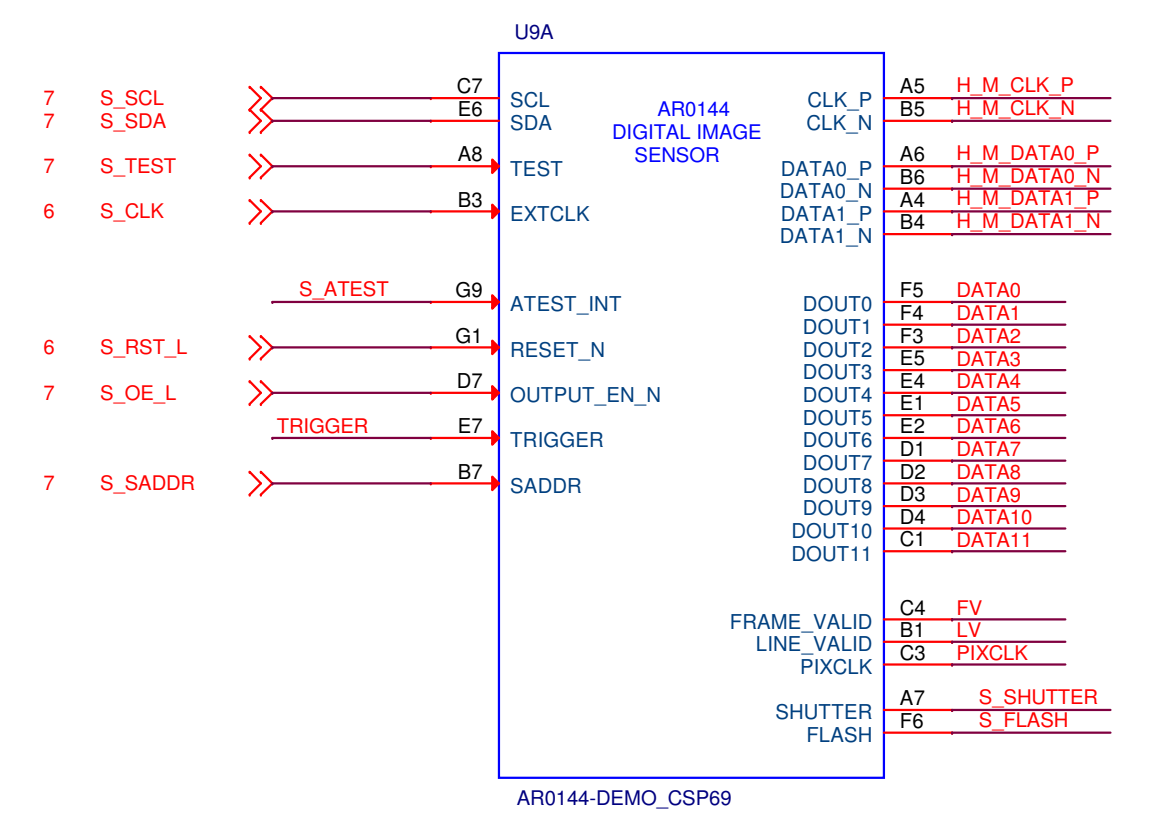
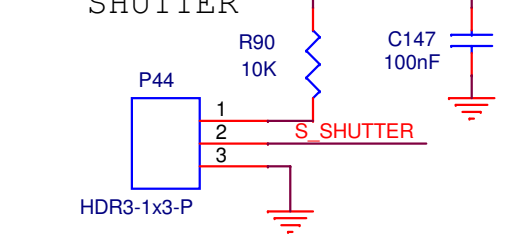
P42 : SHORT (S\_TEST->GND)

### OE\_L

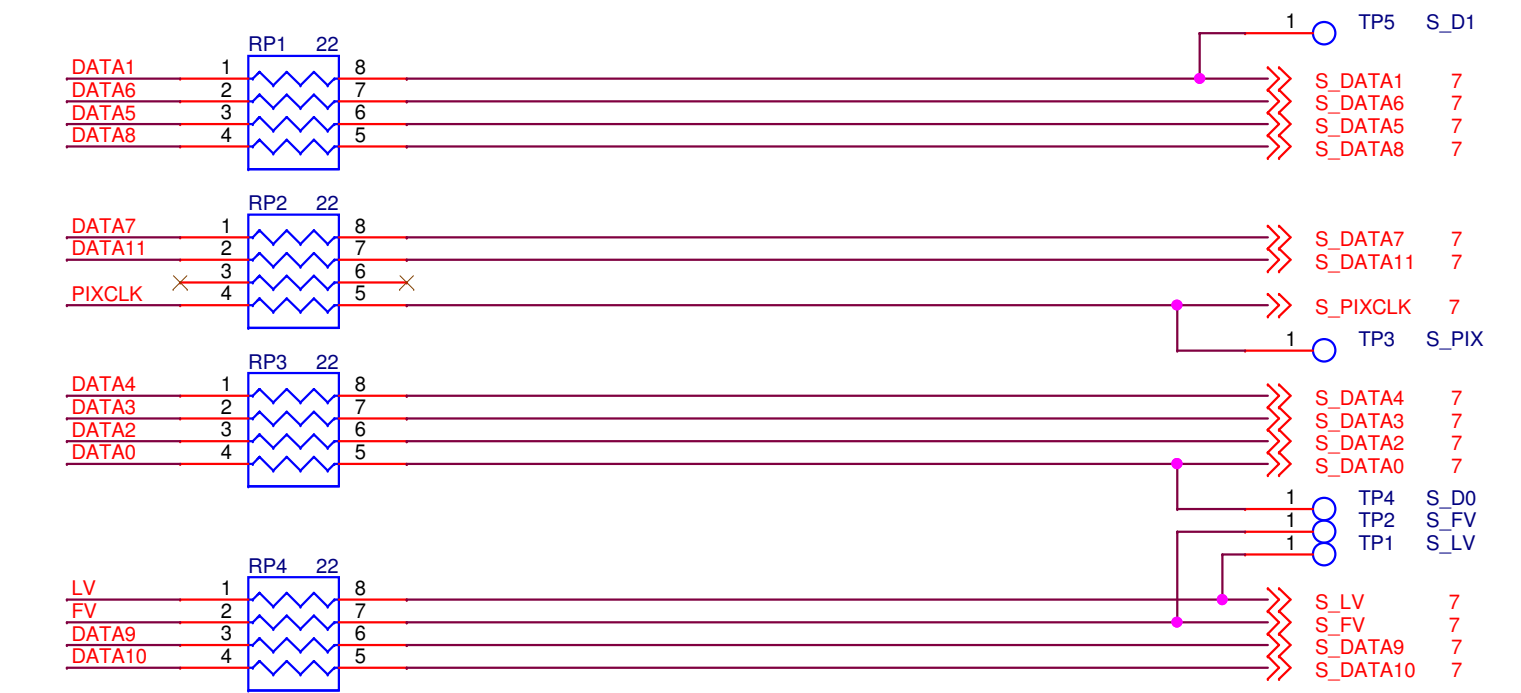
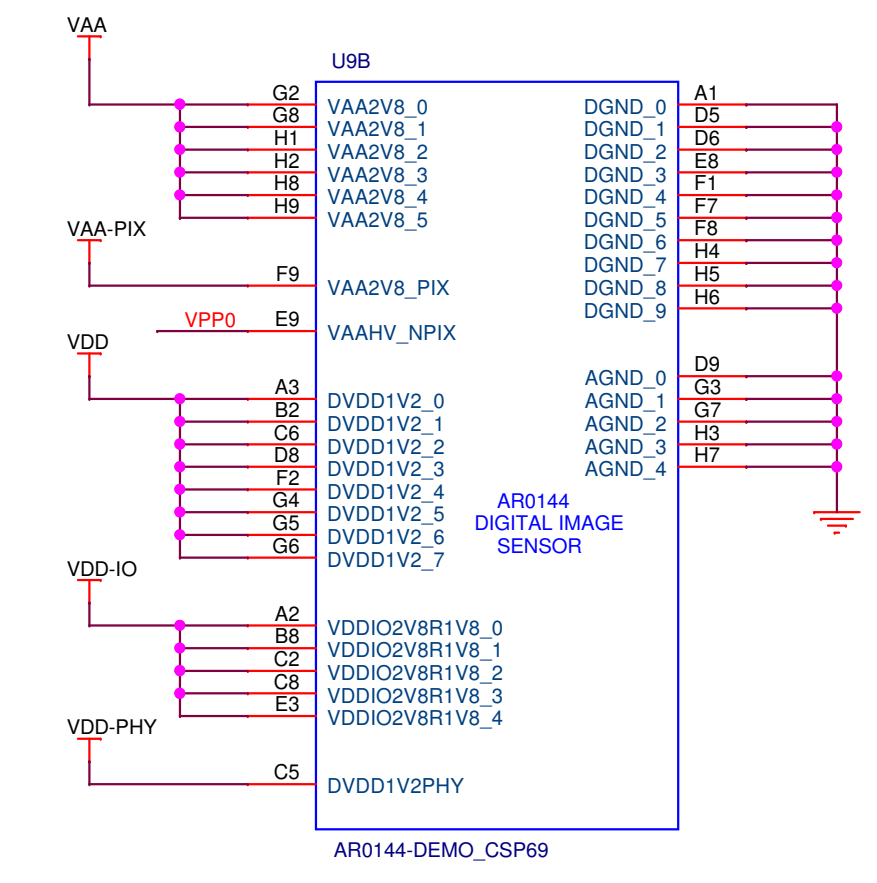
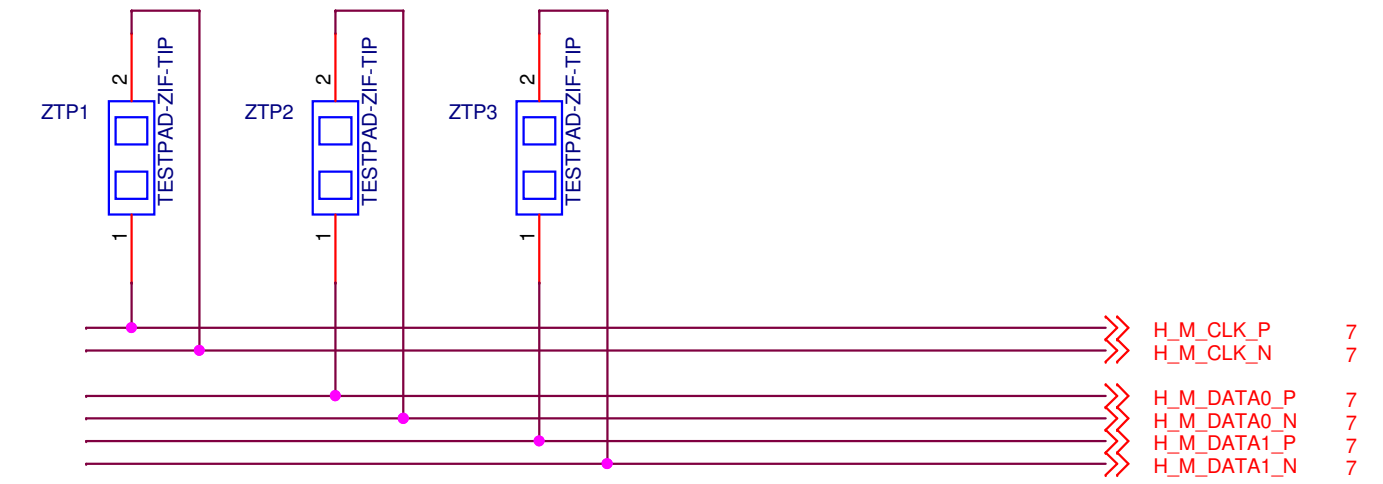


P43 : SHORT (Parallel mode Default)

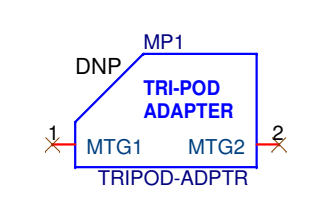
### SHUTTER



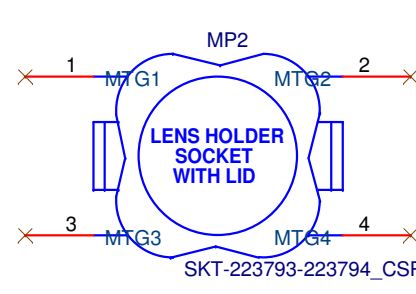
(Note for layout: - Place these testpads near the Demo3 I/F connector at the top side of PCB)



### Tripod Mount



### Socket/Lens Mount



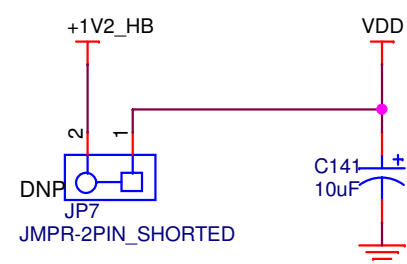
**ON Semiconductor**

Title: Sensor	
Size: C	Document Name: AR0144-CSP_Demo3Head
Date: Monday, November 09, 2015	Rev: 0.2
Sheet: 4	of 7

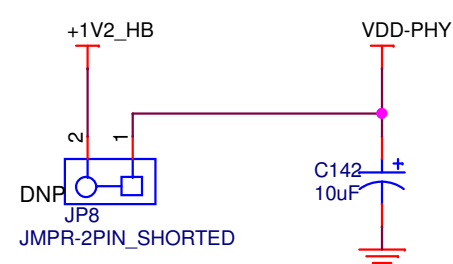
Debug Headers: Cut away the shorted trace and mount header for power debugging

# Power

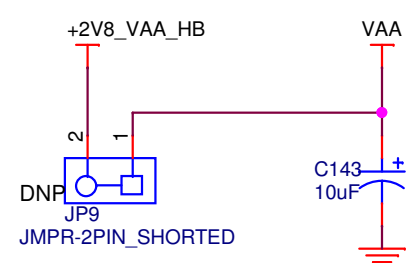
## VDD 1.2V SUPPLY



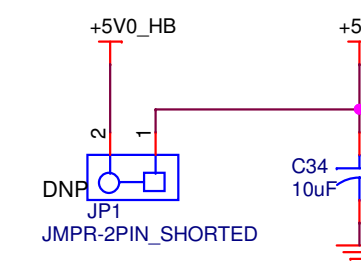
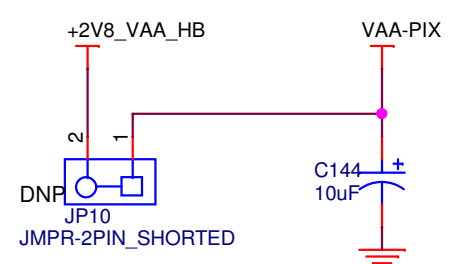
## VDD-PHY 1.2V SUPPLY



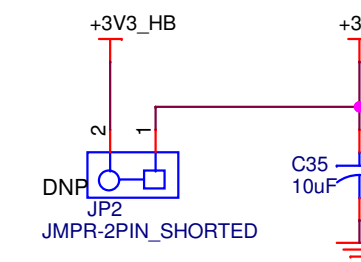
## VAA 2.8V SUPPLY



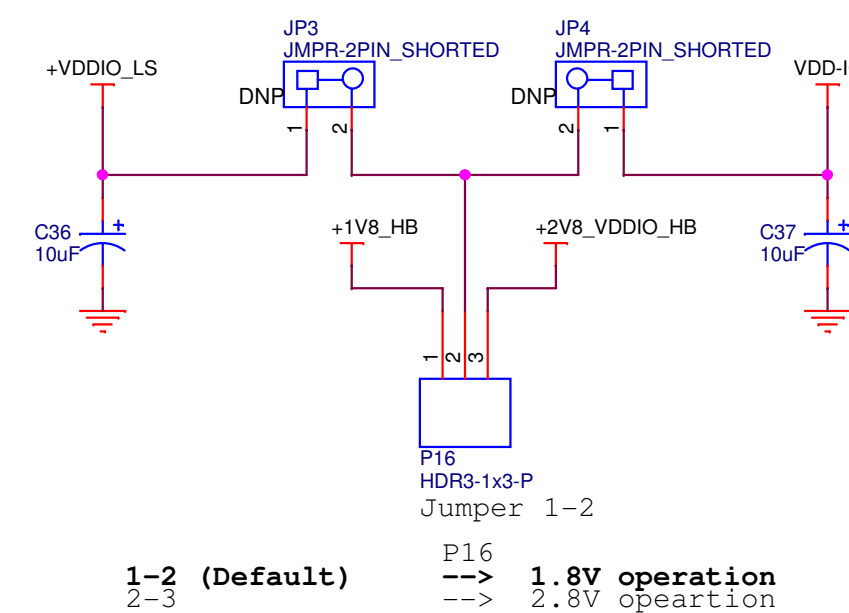
## VAA-PIX 2.8V SUPPLY



## PERIPHERAL 3.3V SUPPLY

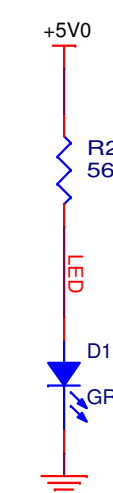


## VDDIO & VDDIO\_LS 1.8V/2.8V SUPPLY

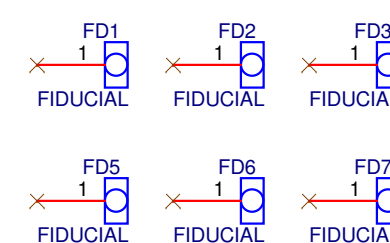


+5V0_HB	7	+5V0_HB	7
+3V3_HB	7	+3V3_HB	7
+2V8_VAA_HB	4,7	+2V8_VAA_HB	4,7
+2V8_VDDIO_HB	7	+2V8_VDDIO_HB	7
+1V8_HB	7	+1V8_HB	7
+1V2_HB	7	+1V2_HB	7
+5V0	4	+5V0	4
+3V3	4,6	+3V3	4,6
+VDDIO_LS	6,7	+VDDIO_LS	6,7
4	VDD	VDD	
4	VDD-PHY	VDD-PHY	
4	VDD-IO	VDD-IO	
4	VAA	VAA	
4	VAA-PIX	VAA-PIX	

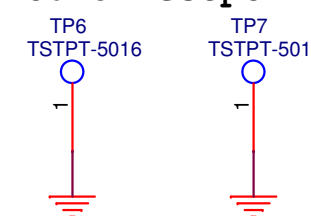
## 5V LED



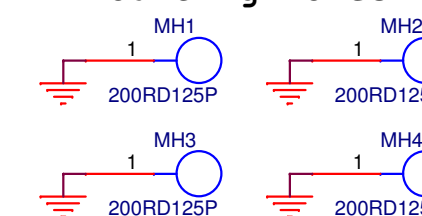
Layout Note  
( Mount LED on  
bottom side of PCB )




### Ground Testpoints



### Mounting Holes





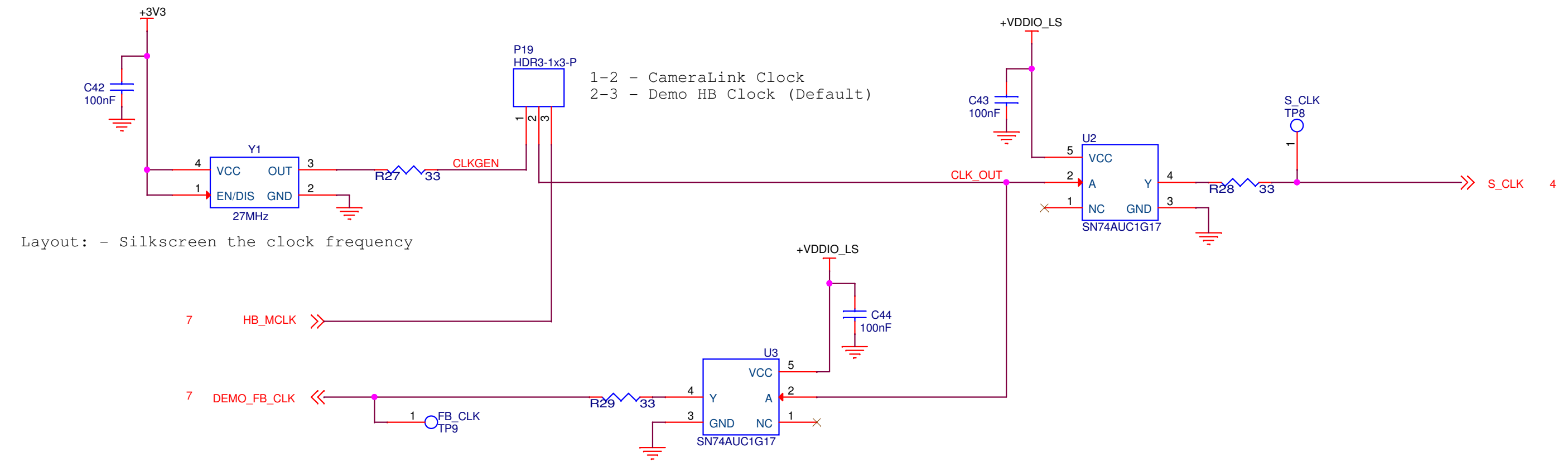
**ON Semiconductor**

Title		Power
Size	Document Name	Rev
C	AR0144-CSP_Demo3Head	0.2
Date:	Wednesday, November 04, 2015	Sheet 5 of 7

# Clock and Reset

+5V0	4,5
+3V3	4,5
+VDDIO_LS	5,7

## CLOCK CIRCUIT



## RESET CIRCUIT

