

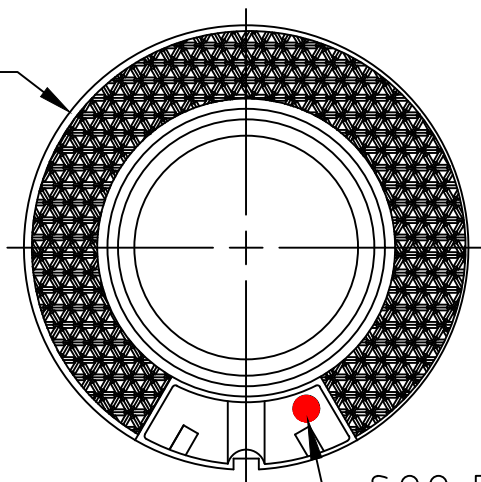
THIS DOCUMENT CONTAINS DATA PROPRIETARY TO PROJECTS UNLIMITED, INC. ANY USE OR REPRODUCTION, IN ANY FORM, WITHOUT PRIOR WRITTEN PERMISSION OF PROJECTS UNLIMITED, INC. IS PROHIBITED.
© 2005, Projects Unlimited Inc.

SPECIFICATIONS

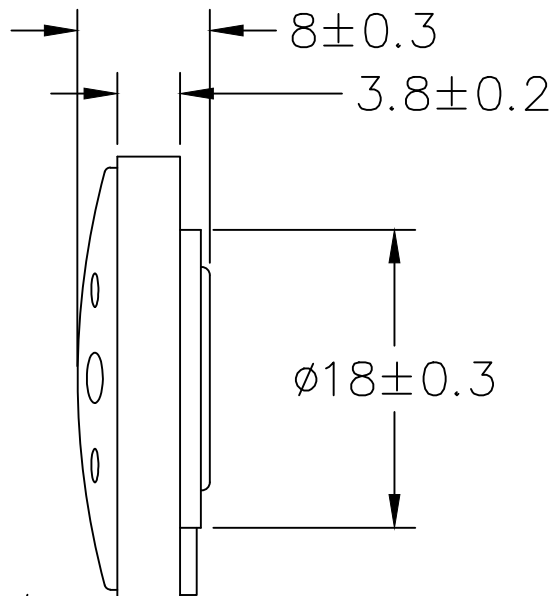
PARAMETERS	VALUES	UNITS
RATED INPUT POWER	0.015	W
MAX INPUT POWER	0.03	W
IMPEDANCE	300±15%	OHM
OUTPUT SPL @ 0.001W/1CM (AT 1.0 kHz)	110±3	dB
DISTORTION (MAX.)	5%	-
RESONANT FREQUENCY	650±20%	Hz
FREQUENCY RANGE	100 ~ 10000	Hz
HOUSING MATERIAL	ABS	-
CONE MATERIAL	MYLAR	-
MAGNET MATERIAL	Nd-Fe-B	-
OPERATING TEMPERATURE	-20 ~ +60	°C
WEIGHT	2.3	grams

REVISIONS			
LTR	DESCRIPTION	DATE	APPROVED
-	RELEASED FROM ENGINEERING	3/26/10	
A	REVISED ROHS STATUS AND POLARITY	10/9/13	M.L.
B	REVISED SPL, OPERATING TEMP, WEIGHT	11/1/13	M.L.
C	REVISED RATED POWER	2/27/20	M.V

$\phi 26.8 \pm 0.3$




see note 4



NOTES:

1. ALL DIMENSIONS ARE IN MILLIMETERS.
2. SPECIFICATION SUBJECT TO CHANGE OR WITHDRAWAL WITHOUT NOTICE.
3. THIS PART IS RoHS 2011/65/EU COMPLIANT.
4. POSITIVE TERMINAL WILL BE MARKED IN RED AND MAY APPLY TO EITHER TERMINAL

FILE NAME
AR027300MR-R.DWG

UNLESS OTHERWISE SPECIFIED: DIMENSIONS ARE IN MILLIMETERS, TOLERANCES ARE ±0.5 AND ANGLES ARE ±3°.		 A Division of Projects Unlimited		6300 Sand Lake Road Dayton, Ohio 45414	
APPROVALS	DATE	RECEIVER DRAWING NO. AR027300MR-R			
DRAWN	B.R. 3/10				
CHECKED	C.W. 3/10				
APPROVED	B.R. 3/10	SIZE A	SCALE: N.T.S.		
			SHEET 1 OF 1		