

# ARES-6663

## Robust, Fanless Box PC with Intel® Ivy Bridge Platform



### Features

- **Fanless Design**
- Rugged Design for Shock/Vibration Protection
- Support 6 x LAN and 6 x Isolated Serial Ports
- RS-485 Auto-flow Function Supported
- Support Various Video Interfaces (Analog RGB, DVI-D)
- Support Optional WiFi or HSUPA Wireless Connection
- Easy Installation/Maintenance
- Intel® SSD Compatible

### System

<b>CPU</b>	Intel® Ivy Bridge rPGA988 (Socket G2) 3rd Generation Intel® Core™ i5-3610ME 2.7GHz processor installed by default
<b>Memory</b>	1 x 204-pin DDR3 SO-DIMM socket, supporting 1333/1600MHz SDRAM up to 8GB
<b>Chipset</b>	Intel® QM77
<b>Graphics</b>	Integrated Intel® HD4000
<b>ATA</b>	2 x Serial ATA ports with 600MB/s HDD transfer rate
<b>LAN Chipset</b>	6 x Realtek 8111 GbE controllers
<b>Watchdog Timer</b>	1~255 levels reset

### I/O

<b>Serial Port</b>	2 x DB-9 male connectors, 1 x 2x10-pins terminal block connector Support 6 x RS-232 ports (COM1~2 are RS-232, COM3~6 are RS-232/422/485 selectable)
<b>USB Port</b>	4 x USB 2.0 ports 2 x USB 3.0/2.0 ports
<b>LAN</b>	6 x RJ-45 ports for GbE
<b>Video Port</b>	1 x DB-15 female connector for Analog RGB 1 x DVI-D female connector for Digital Video output
<b>Digital I/O</b>	1 x 2x10-pins terminal block connector for 16-bit digital I/O, 8 in/8 out
<b>Audio</b>	Mic-in/Line-out

<b>Expansion Bus</b>	1 x PCI slot & 1 x PCIe x4 slot (EP) or 2 x PCI slots (2P) 1 x Mini-card slot interconnected with SIM card socket for optional WiFi or HSUPA module 1 x SIM socket 1 x PCI104
----------------------	--

### Environmental

<b>Operating Temp.</b>	-10 ~ 60°C (14 ~ 140°F), ambient w/ air flow
<b>Storage Temp.</b>	-20 ~ 80°C (-4 ~ 176°F)
<b>Operating Humidity</b>	10 ~ 95% @ 60°C (non-condensing)
<b>Vibration</b>	2 Grms@IEC-68-2-34, random wave, 5~500 Hz, 1 hr per axis
<b>Shock</b>	Operating 20G (11ms)@IEC-68-2-27, half sine wave

### Qualification

**Certification** CE, FCC Class A

### Power Requirement

**Power Input** DC 9~36V input (w/ 4-pin DC input terminal block, combining remote power on/off switch)

**Power Consumption** Max. 67W (i5 w/o I/O card)

### Storage

<b>Type</b>	2 x 2.5" drive bays for HDD/SSD 1 x SATA port for SATA DOM 1 x CFast 1 x 8GB NAND Flash (optional)
-------------	---

### Mechanical

<b>Construction</b>	Aluminum alloy
<b>Mounting</b>	Support wall-mount
<b>Weight</b>	4 kg (8.8 lb)
<b>Dimensions (W x D x H)</b>	254 x 187 x 100 mm (10" x 7.36" x 3.93")

### OS Support

Windows XP Embedded / Windows XP Professional / Windows Embedded 7 Professional / Windows Embedded 7 Standard

### Ordering Information

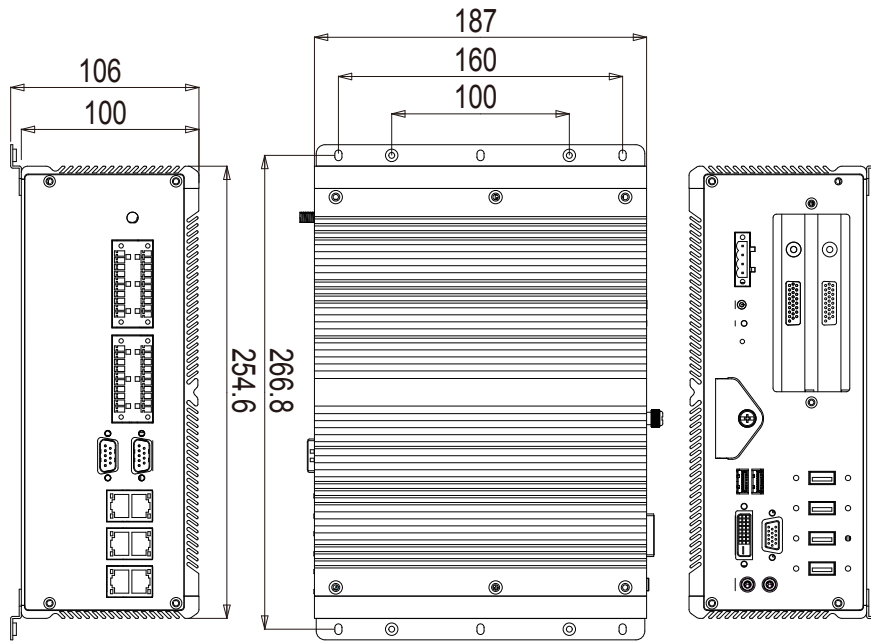
<b>ARES-6663-EP/3610ME</b>	Barebone system w/ Intel® i5-3610ME, 6 x LAN, PCI + PCIe x4
<b>ARES-6663-2P/3610ME</b>	Barebone system w/ Intel® i5-3610ME, 6 x LAN, 2 x PCI



» Fanless Design

All specifications are subject to change without notice.

# Dimensions



Unit: mm

## Optional Accessories

**PAC-B120W-FSP** 19V/6.32A 120W AC/DC adapter kit

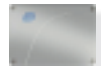


**WMK-5000** Wall-mount kit for FPC-5XXX Series



## Optional Configuration (CTOS\* Kit)

**SSD-25040** Intel® 2.5" 40GB SATAII SSD kit



**HSPA-SI1400** HSUPA 3.75G module kit & internal wiring



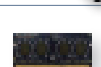
**WIFI-IN1300** Intel® Centrino® Advanced-N 6205 WiFi module w/ 20cm internal wiring



**ANT-D11** 1 x WiFi Dual-band 2.4G/5G antenna



**ANT-H11** 1 x 2dBi HSUPA antenna



**2GB SO-DIMM** Industrial DDR3-1333 2GB SDRAM

**4GB SO-DIMM** Industrial DDR3-1333 4GB SDRAM

**8GB SO-DIMM** Industrial DDR3-1600 8GB SDRAM



\*CTOS means Configure to Order Service.

