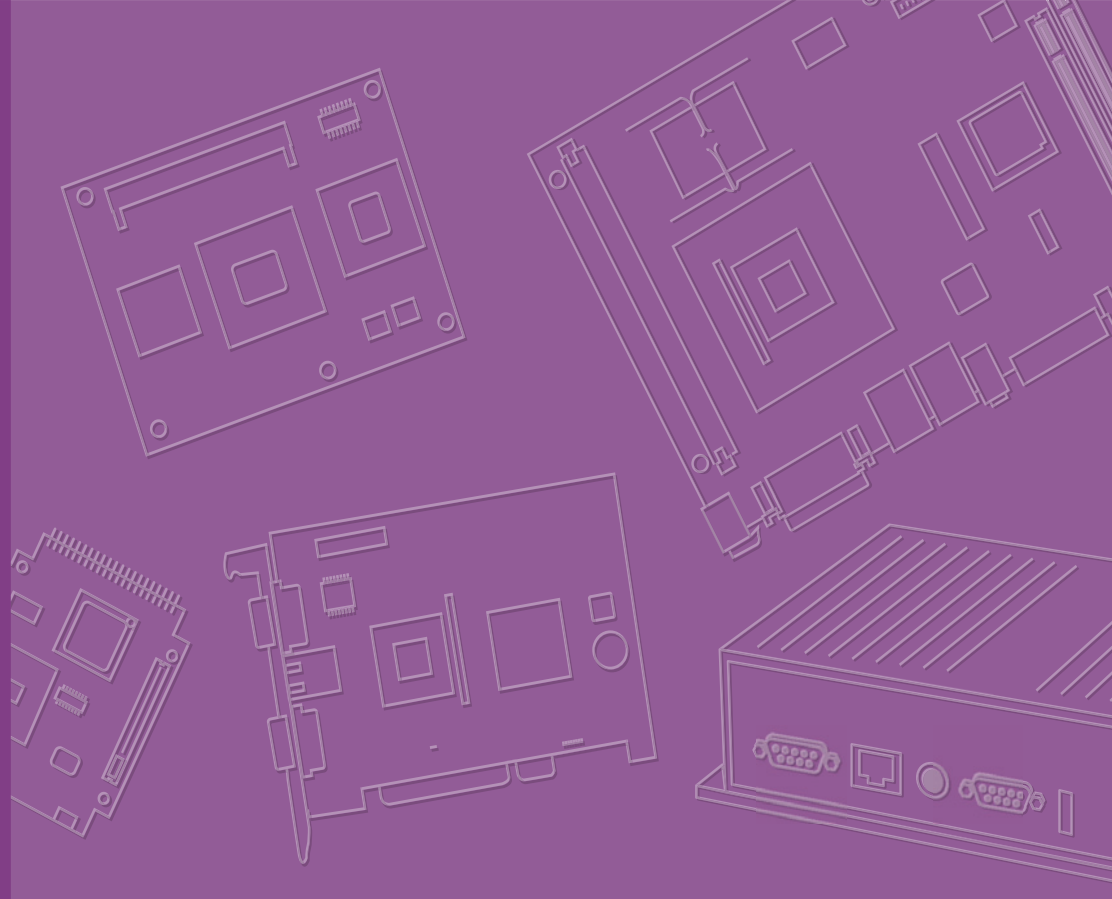


User Manual



ARK-DS762

**3rd Gen Intel® Core™ i7/i5/i3
processor-based Digital Signage
Player**

ADVANTECH

Enabling an Intelligent Planet

Copyright

The documentation and the software included with this product are copyrighted 2012 by Advantech Co., Ltd. All rights are reserved. Advantech Co., Ltd. reserves the right to make improvements in the products described in this manual at any time without notice. No part of this manual may be reproduced, copied, translated or transmitted in any form or by any means without the prior written permission of Advantech Co., Ltd. Information provided in this manual is intended to be accurate and reliable. However, Advantech Co., Ltd. assumes no responsibility for its use, nor for any infringements of the rights of third parties, which may result from its use.

Acknowledgements

IBM, PC/AT, PS/2 and VGA are trademarks of International Business Machines Corporation.

Intel® and Core™ are trademarks of Intel Corporation.

Microsoft Windows® is a registered trademark of Microsoft Corp.

AMI is a registered trademark of American Megatrends Inc.

ESS is a trademark of ESS Technology, Inc.

UMC is a trademark of United Microelectronics Corporation.

SMI is a trademark of Silicon Motion, Inc.

Creative is a trademark of Creative Technology LTD.

CHRONTEL is a trademark of Chrontel Inc.

All other product names or trademarks are properties of their respective owners.

For more information about this and other Advantech products, please visit our website at:

<http://www.advantech.com/>

For technical support and service, please visit our support website at:

<http://support.advantech.com.tw/support/>

Product Warranty (2 years)

Advantech warrants to you, the original purchaser, that each of its products will be free from defects in materials and workmanship for two years from the date of purchase.

This warranty does not apply to any products which have been repaired or altered by persons other than repair personnel authorized by Advantech, or which have been subject to misuse, abuse, accident or improper installation. Advantech assumes no liability under the terms of this warranty as a consequence of such events.

Because of Advantech's high quality-control standards and rigorous testing, most of our customers never need to use our repair service. If an Advantech product is defective, it will be repaired or replaced at no charge during the warranty period. For out-of-warranty repairs, you will be billed according to the cost of replacement materials, service time and freight. Please consult your dealer for more details.

If you think you have a defective product, follow these steps:

1. Collect all the information about the problem encountered. (For example, CPU speed, Advantech products used, other hardware and software used, etc.) Note anything abnormal and list any onscreen messages you get when the problem occurs.
2. Call your dealer and describe the problem. Please have your manual, product, and any helpful information readily available.
3. If your product is diagnosed as defective, obtain an RMA (return merchandise authorization) number from your dealer. This allows us to process your return more quickly.
4. Carefully pack the defective product, a fully-completed Repair and Replacement Order Card and a photocopy proof of purchase date (such as your sales receipt) in a shippable container. A product returned without proof of the purchase date is not eligible for warranty service.
5. Write the RMA number visibly on the outside of the package and ship it prepaid to your dealer.

Declaration of Conformity

FCC Class B

Note: This equipment has been tested and found to comply with the limits for a Class B digital device, pursuant to part 15 of the FCC Rules. These limits are designed to provide reasonable protection against harmful interference in a residential installation. This equipment generates, uses and can radiate radio frequency energy and, if not installed and used in accordance with the instructions, may cause harmful interference to radio communications. However, there is no guarantee that interference will not occur in a particular installation. If this equipment does cause harmful interference to radio or television reception, which can be determined by turning the equipment off and on, the user is encouraged to try to correct the interference by one or more of the following measures:

- Reorient or relocate the receiving antenna.
- Increase the separation between the equipment and receiver.
- Connect the equipment into an outlet on a circuit different from that to which the receiver is connected.
- Consult the dealer or an experienced radio/TV technician for help.

Technical Support and Assistance

1. Visit the Advantech website at <http://support.advantech.com> where you can find the latest information about the product.
2. Contact your distributor, sales representative, or Advantech's customer service center for technical support if you need additional assistance. Please have the following information ready before you call:
 - Product name and serial number
 - Description of your peripheral attachments
 - Description of your software (operating system, version, application software, etc.)
 - A complete description of the problem
 - The exact wording of any error messages

Warnings, Cautions and Notes

Warning! *Warnings indicate conditions, which if not observed, can cause personal injury!*



Caution! *Cautions are included to help you avoid damaging hardware or losing data. e.g.*



There is a danger of a new battery exploding if it is incorrectly installed. Do not attempt to recharge, force open, or heat the battery. Replace the battery only with the same or equivalent type recommended by the manufacturer. Discard used batteries according to the manufacturer's instructions.

Note! *Notes provide optional additional information.*



Safety Instructions

1. Read these safety instructions carefully.
2. Keep this User Manual for later reference.
3. Disconnect this equipment from any AC outlet before cleaning. Use a damp cloth. Do not use liquid or spray detergents for cleaning.
4. For plug-in equipment, the power outlet socket must be located near the equipment and must be easily accessible.
5. Keep this equipment away from humidity.
6. Put this equipment on a reliable surface during installation. Dropping it or letting it fall may cause damage.
7. The openings on the enclosure are for air convection. Protect the equipment from overheating. **DO NOT COVER THE OPENINGS.**
8. Make sure the voltage of the power source is correct before connecting the equipment to the power outlet.
9. Position the power cord so that people cannot step on it. Do not place anything over the power cord.
10. All cautions and warnings on the equipment should be noted.
11. If the equipment is not used for a long time, disconnect it from the power source to avoid damage by transient overvoltage.
12. Never pour any liquid into an opening. This may cause fire or electrical shock.
13. Never open the equipment. For safety reasons, the equipment should be opened only by qualified service personnel.
14. If one of the following situations arises, get the equipment checked by service personnel:
 - The power cord or plug is damaged.
 - Liquid has penetrated into the equipment.
 - The equipment has been exposed to moisture.
 - The equipment does not work well, or you cannot get it to work according to the user's manual.
 - The equipment has been dropped and damaged.
 - The equipment has obvious signs of breakage.
15. **DO NOT LEAVE THIS EQUIPMENT IN AN ENVIRONMENT WHERE THE STORAGE TEMPERATURE MAY GO BELOW -20° C (-4° F) OR ABOVE 60° C (140° F). THIS COULD DAMAGE THE EQUIPMENT. THE EQUIPMENT SHOULD BE IN A CONTROLLED ENVIRONMENT.**
16. **CAUTION: DANGER OF EXPLOSION IF BATTERY IS INCORRECTLY REPLACED. REPLACE ONLY WITH THE SAME OR EQUIVALENT TYPE RECOMMENDED BY THE MANUFACTURER, DISCARD USED BATTERIES ACCORDING TO THE MANUFACTURER'S INSTRUCTIONS.**

The sound pressure level at the operator's position according to IEC 704-1:1982 is no more than 70 dB (A).

DISCLAIMER: This set of instructions is given according to IEC 704-1. Advantech disclaims all responsibility for the accuracy of any statements contained herein.

Packing List

Before installation, please ensure the following items have been shipped:

- 1 x ARK-DS762 Unit
- 1 x Power Adaptor
- 1 x Driver/Utility CD/manual
- 1 x China RoHS
- 1 x Traditional Chinese User Manual for CCC

Optional Power Cord & Accessories

Part Number	Description
1700001524	3-pin power cord (US)
170000183C	3-pin power cord (EU)
170203180A	3-pin power cord (UK)
1700008921	3-pin power cord (PSE)
1700019146	3-pin power cord (CCC)

Contents

Chapter 1	General Introduction	1
1.1	Introduction	2
1.2	Product Features.....	2
1.2.1	General	2
1.2.2	Display	2
1.2.3	Power Consumption.....	2
1.3	Hardware Specifications	2
1.4	Mechanical Specifications.....	3
1.4.1	Dimensions	3
	Figure 1.1 ARK-DS762 Mechanical Dimensions	3
1.4.2	Weight.....	3
1.5	Power Requirements.....	4
1.5.1	System Power.....	4
1.5.2	RTC Battery	4
1.6	Environment Specification.....	4
1.6.1	Operating Temperature.....	4
1.6.2	Relative Humidity	4
1.6.3	Storage Temperature.....	4
1.6.4	Vibration Loading During Operation.....	4
1.6.5	Shock During Operation.....	4
1.6.6	Safety.....	4
1.6.7	EMC	4
Chapter 2	Hardware Installation	5
2.1	ARK-DS762 I/O Connectors	6
	Figure 2.1 Front and rear view.....	6
2.2	ARK-DS762 Front Side External I/O Connectors.....	6
2.2.1	Power ON/OFF Button.....	6
	Figure 2.2 Power button	6
2.2.2	COM Connector	6
	Figure 2.3 COM connector	6
	Table 2.1: COM Port Pin Assignments	7
2.2.3	USB Connectors	7
	Figure 2.4 USB connector	7
	Table 2.2: USB Port Pin Assignments.....	7
2.3	ARK-DS762 Rear Side External I/O Connectors	7
2.3.1	Audio Connector	7
	Figure 2.5 Audio connector.....	7
2.3.2	Ethernet Connector (LAN)	8
	Figure 2.6 LAN connector.....	8
	Table 2.3: LAN Connector Pin Assignments	8
2.3.3	HDMI Connector	9
	Figure 2.7 HDMI connector.....	9
	Table 2.4: HDMI Connector Pin Assignments	9
2.3.4	Power Input Connector	9
	Figure 2.8 DC input connector.....	9
2.4	Hardware Installation	10
2.4.1	HDD installation	10
	Figure 2.9 HDD installation.....	10
2.4.2	CPU and Memory (CPU side) installation.....	11
	Figure 2.10CPU and top-side memory installation	11
2.4.3	MiniPCIe and Memory(Bottom side) installation	12
	Figure 2.11Mini PCIe and bottom-side memory installation	12

2.4.4	Cfast card installation	12
	Figure 2.12Cfast card installation	12

Chapter 3 BIOS Settings 13

3.1	BIOS Introduction.....	14
3.2	Main Setup.....	14
3.2.1	System Time / System Date	14
	Figure 3.1 Main Setup Screen.....	14
3.2.2	Advanced BIOS Features Setup.....	15
	Figure 3.2 Advanced BIOS Features Setup Screen.....	15
	Figure 3.3 S5 RTC Setup Screen.....	16
	Figure 3.4 CPU Setup screen.....	17
	Figure 3.5 SATA Setup screen.....	18
	Figure 3.6 Intel Anti-Theft Technology Configuration	19
	Figure 3.7 AMT Configuration setup screen.....	20
	Figure 3.8 USB Configuration setup screen	21
	Figure 3.9 Embedded Controller Configuration setup screen ...	22
	Figure 3.10Serial Port 0 Configuration setup screen.....	23
	Figure 3.11H/W monitor screen.....	23
	Figure 3.12CPU PPM Configuration setup screen	24
3.2.3	Chipset BIOS Feature Setup	25
3.2.4	Boot BIOS Feature Setup	25
	Figure 3.13Boot configuration setup screen.....	25
3.2.5	Security BIOS Feature Setup	26
	Figure 3.14Security configuration setup screen	26
3.2.6	Save & Exit BIOS Feature Setup.....	27
	Figure 3.15Save & Exit configuration setup screen.....	27

Appendix A SUSI Access Introduction 29

A.1	SUSI Access® - Remote Device Management.....	30
-----	--	----

Chapter 1

General Introduction

This chapter gives background information of ARK-DS762 series.

1.1 Introduction

ARK-DS762 is powered by 3rd Gen Intel® Core™ i7/i5/i3 processors with Intel® HD Graphics for Full HD video playback performance. ARK-DS762 is a media player that delivers advanced graphics performance for all your signage applications.

ARK-DS762 has 3 HDMI video output interfaces with CEC function to provide multi display outputs simultaneously. For better connectivity, it supports internal 1 x Mini PCIe interface for add-on functions such as wireless network and TV tuner cards to fulfill different requirements. And also supports 1xUSB 3.0, 2xUSB 2.0, 1xCOM (RS-232) ports for system integration and applications.

1.2 Product Features

1.2.1 General

- Supports 3rd Gen. Intel® Core™ i7/i5/i3 mobile CPUs. Socket type is rPGA 988B (CPU TDP up to 45W)
- Supports 3 HDMI (w/ CEC) ports for multi displays
- Supports 1 x GbE , 1 x USB 3.0, 4 x USB 2.0 and 1 x COM(RS-232)
- Internal 2.5-inch SATA HDD drive bay and Cfast slot for storage devices.
- Built-in MiniPCIe slot for easy expansion e.g. WiFi, TV-tuner, etc
- Easy integration and easy maintenance

1.2.2 Display

- Multi-display support; up to 2x1080P and 1x 720P video playback performance (but subject to the video media format and playback software)

1.2.3 Power Consumption

- Typical: 17.4 W (3rd Gen. Intel® Core™ i7-3610QE 2.3 GHz and w/o expansion)
- Max.: 43.8 W (3rd Gen. Intel® Core™ i7-3610QE 2.3 GHz and w/o expansion)

1.3 Hardware Specifications

- **CPU:** 3rd Gen. Intel® Core™ i7/i5/i3 mobile CPUs. Socket type is rPGA 988B
- **System Chipset:** Intel® QM77
- **BIOS:** AMI 16 Mbit Flash BIOS
- **System Memory:** 2 x DDR3 SO-DIMM sockets, support DDR3 1333 MHz up to 16 GB (Max. 8GB per each SO-DIMM socket)
- **Graphic chipset:** Integrated in Intel® Core™ i CPU
- **SSD:** Supports 1 x Cfast slot
- **HDD:** Supports 1 x 2.5" SATA HDD
- **Watchdog Timer:** Supported by Advantech SUSIAccess
- **I/O Interface:** 1 x RS-232
- **USB:** 1 x USB 3.0 and 2 x USB 2.0 compliant ports
- **Audio:** Supports one audio jack, default is line-out, supports jack sense

- **Ethernet Chipset:** 1 x Intel 82579LM (Gigabit LAN)

- **Speed:** 10/100/1000 Mbps
- **Interface:** 1 x RJ-45 jacks with LED
- **Standard:** IEEE 802.3z/ab (1000 Base-T) or IEEE 802.3u 100 Base-T compliant
- **Expansion:**
 - miniPCIe: 1 socket internal
- **Resolution**
 - **HDMI:** Up to 1920 x 1080 at 60 Hz (1080P)

1.4 Mechanical Specifications

1.4.1 Dimensions

249.6 x 190.0 x 35.0 mm (9.83" x 7.48" x 1.38") (L x W x H)

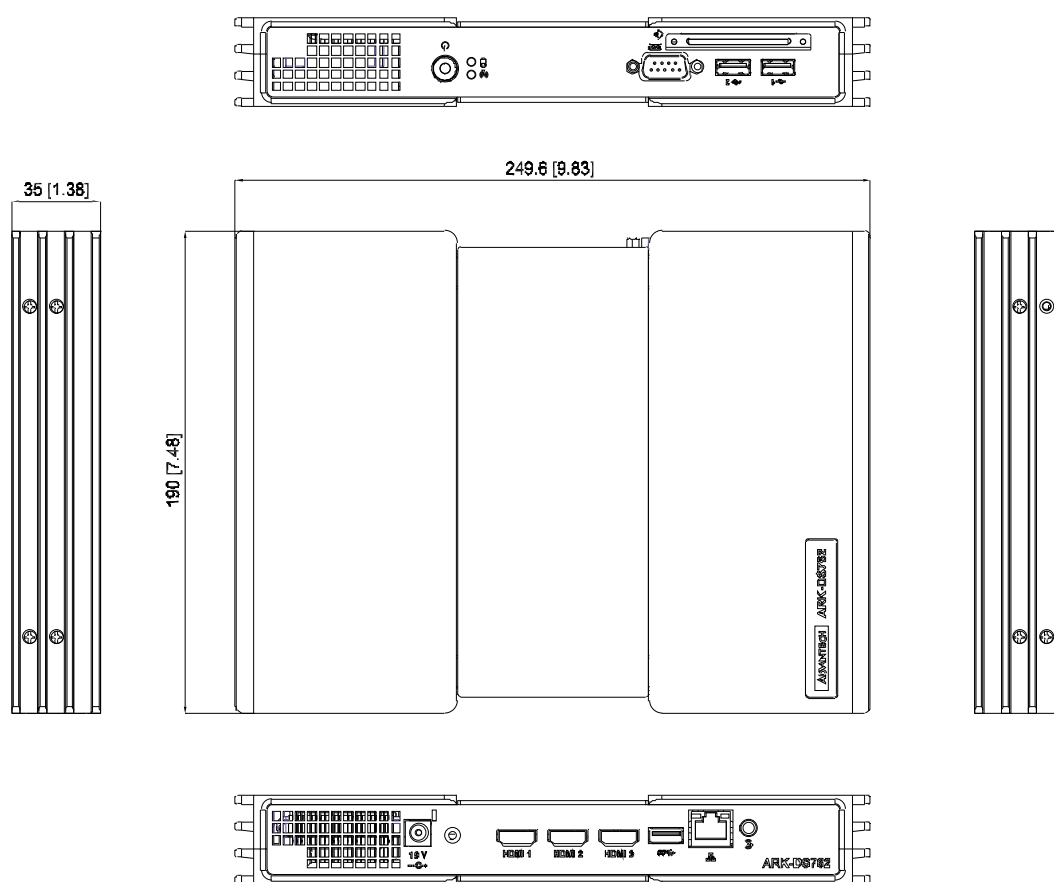


Figure 1.1 ARK-DS762 Mechanical Dimensions

1.4.2 Weight

2.0 kg (4.41 lb)

1.5 Power Requirements

1.5.1 System Power

Minimum power input: DC 19V, 4.74A

1.5.2 RTC Battery

3V/200 mAH BR2032

1.6 Environmental Specifications

1.6.1 Operating Temperature

0° C - 40° C (32~104° F)

1.6.2 Relative Humidity

95% @ 40° C (non-condensing)

1.6.3 Storage Temperature

-20~70° C (-4~167° F)

1.6.4 Vibration Loading During Operation

0.5 Grms, IEC 60068-2-64, random, 5 ~ 500 Hz, 1 Oct./min, 1 hr/axis.

1.6.5 Shock During Operation

20 G, IEC 60068-2-27, half sine, 11 ms duration

1.6.6 Safety

BSMI, CCC

1.6.7 EMC

CE, FCC

Chapter 2

Hardware Installation

This chapter introduces external I/O and the installation of ARK-DS762 Hardware.

2.1 ARK-DS762 I/O Connectors

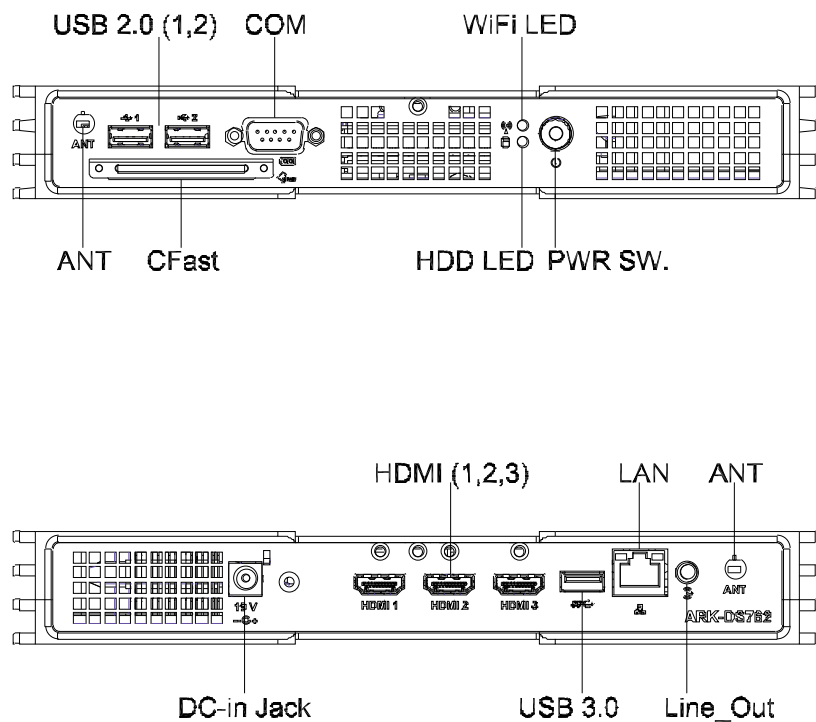


Figure 2.1 Front and rear view

2.2 ARK-DS762 Front Side External I/O Connectors

2.2.1 Power ON/OFF Button

ARK-DS762 has a power ON/OFF button on front side. Push this button to turn the system ON and OFF. It can also support 4 second delay soft power off.



Figure 2.2 Power button

2.2.2 COM Connector

ARK-DS762 provides one D-sub 9-pin connector serial communication interface port. The port can support RS-232 mode communication.

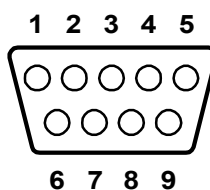


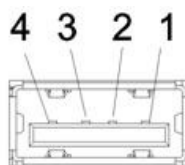
Figure 2.3 COM connector

Table 2.1: COM Port Pin Assignments

Pin	Signal Name
1	DCD
2	RxD
3	TxD
4	DTR
5	GND
6	DSR
7	RTS
8	CTS
9	RI

2.2.3 USB Connectors

The ARK-DS762 provides two USB interface connectors (2 x USB 2.0 in front-side; and 1 x USB 3.0 in rear-side), which give complete Plug & Play and hot swapping capability for up to 127 external devices. The front side two USB interface is compliant with USB UHCI, Rev. 2.0. and the rear one is compliant with USB UHCI, Rev. 3.0. All the USB ports support Plug and Play, which enables you to connect or disconnect a device without turning off the computer.

**Figure 2.4 USB connector****Table 2.2: USB Port Pin Assignments**

Pin	Signal Name
1	VCC
2	USB Data-
3	USB Data+
4	GND

2.3 ARK-DS762 Rear Side External I/O Connectors

2.3.1 Audio Connector

Line-out: Stereo speakers, earphone or front surround speakers can be connected to the line out jack. It supports jack-sense and can be the Line-in or Mic-in input functions. Setting by driver UI)

**Figure 2.5 Audio connector**

2.3.2 Ethernet Connector (LAN)

ARK-DS762 provides one RJ45 LAN interface connector, it is fully compliant with IEEE 802.3u 10/100/1000 Base-T CSMA/CD standards. The Ethernet port provides a standard RJ-45 jack connector with LED indicators on the front side to show its Active/Link status and speed status.

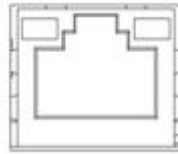


Figure 2.6 LAN connector

Table 2.3: LAN Connector Pin Assignments

Pin	Signal Name
1	MDI0+
2	MDI0-
3	MDI1+
4	MDI1-
5	GND
6	GND
7	MDI2+
8	MDI2-
9	MDI3+
10	MDI3-
11	VCC
12	ACT
13	Link100#
14	Link1000#

2.3.3 HDMI Connector

ARK-DS762 3 HDMI (High-Definition Multimedia Interface) connectors provide all-digital audio/video interface to transmit the uncompressed audio/video signals and is HDCP and CEC compliant. Connect the HDMI audio/video device to this port. HDMI technology can support a maximum resolution of 1920 x 1080p but the actual resolutions supported depends on the monitor being used.

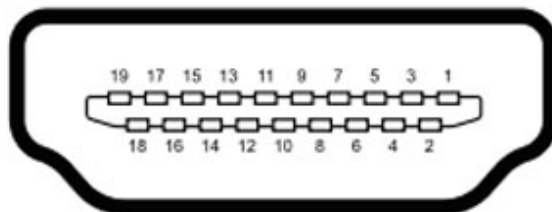


Figure 2.7 HDMI connector

Table 2.4: HDMI Connector Pin Assignments

Pin	Signal Name
1	TMDS Data2+
2	GND
3	TMDS Data2-
4	TMDS Data1+
5	GND
6	TMDS Data1-
7	TMDS Data0+
8	GND
9	TMDS Data0-
10	TMDS Clock+
11	GND
12	TMDS Clock-
13	NC
14	NC
15	SCL
16	SDA
17	GND
18	+5 V Power
19	Detect

2.3.4 Power Input Connector

ARK-DS762 comes with a DC-Jack header that takes 19 VDC external power input.

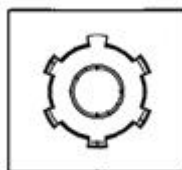


Figure 2.8 DC input connector

2.4 Hardware Installation

2.4.1 HDD installation

1. Open the side top cover. (the one with ARK-DS762 logo)
2. Fix the HDD to the HDD bracket on the housing and attach with screws.

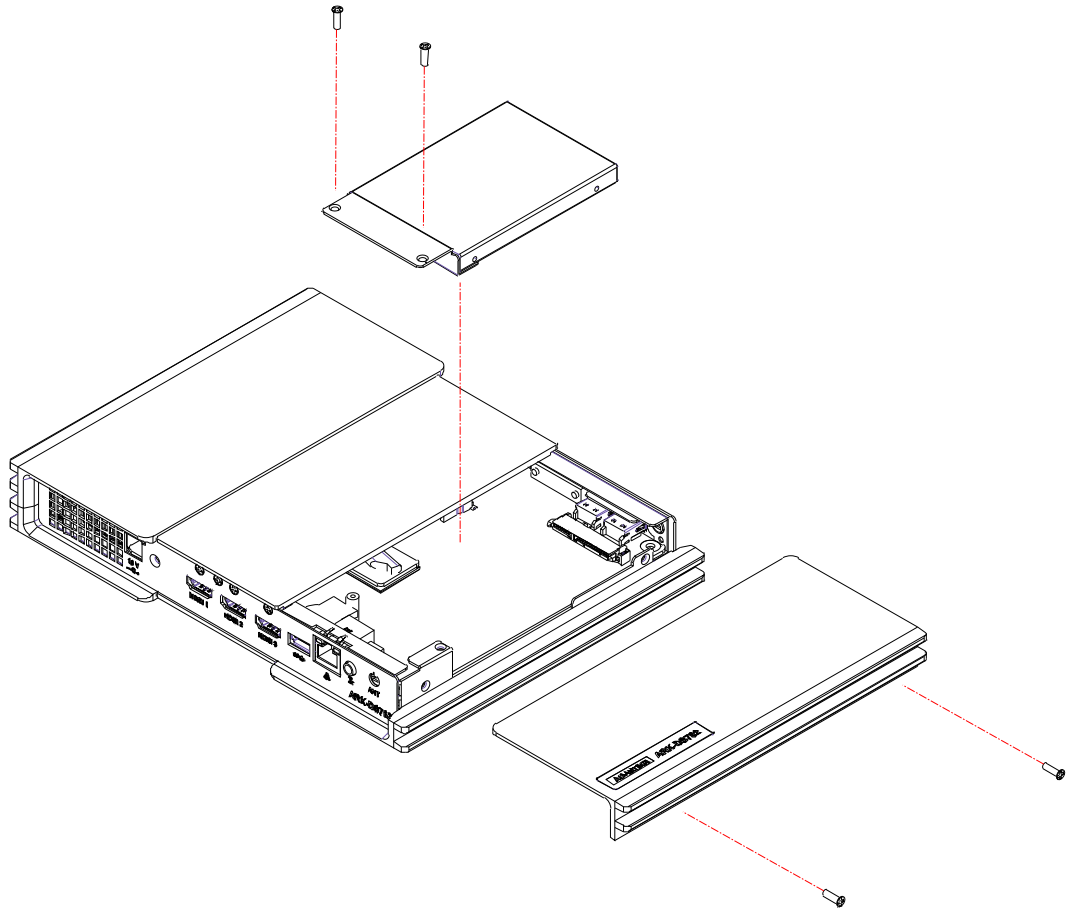


Figure 2.9 HDD installation

2.4.2 CPU and Memory (CPU side) installation

1. Open the side cover (no ARK-DS762 logo) and the middle top cover. The memory module can be installed and removed.
2. Loosen the 4 screws on the thermal module and remove the thermal module.
3. Insert the CPU on the CPU socket and use the screw driver to fix the CPU socket.

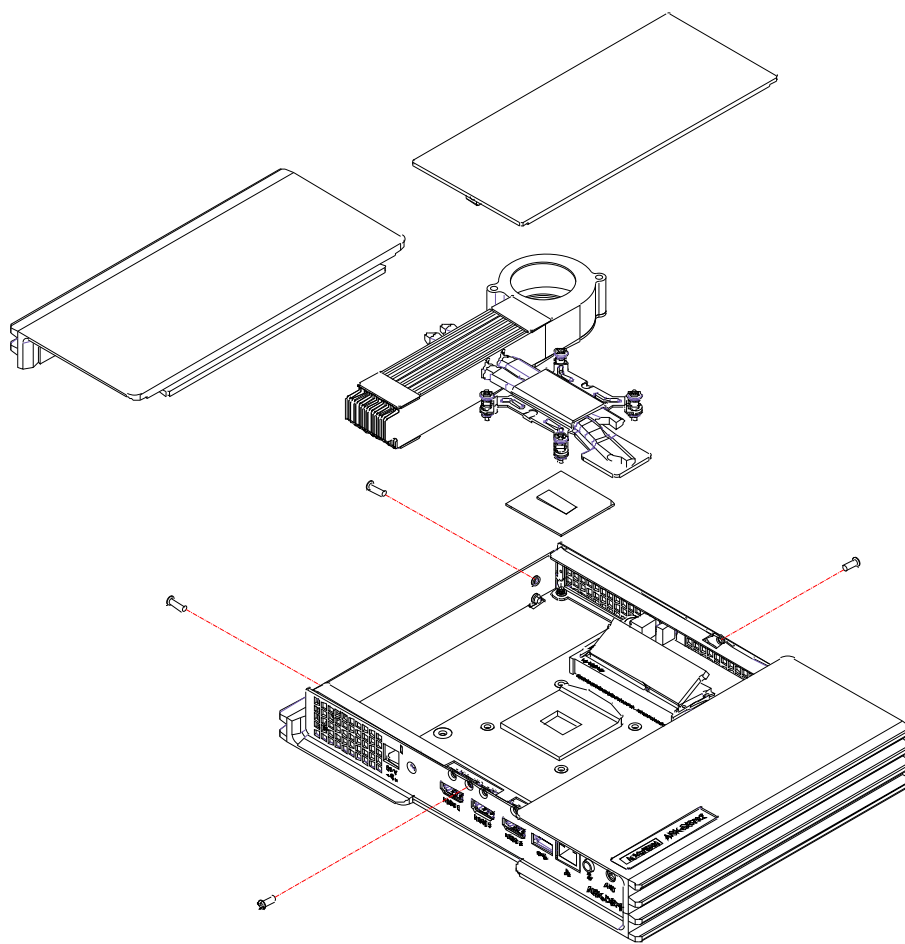


Figure 2.10 CPU and top-side memory installation

2.4.3 MiniPCIe and Memory (Bottom side) installation

1. Open the bottom covers. Install/Remove bottom side memory module and Mini-PCIe module.

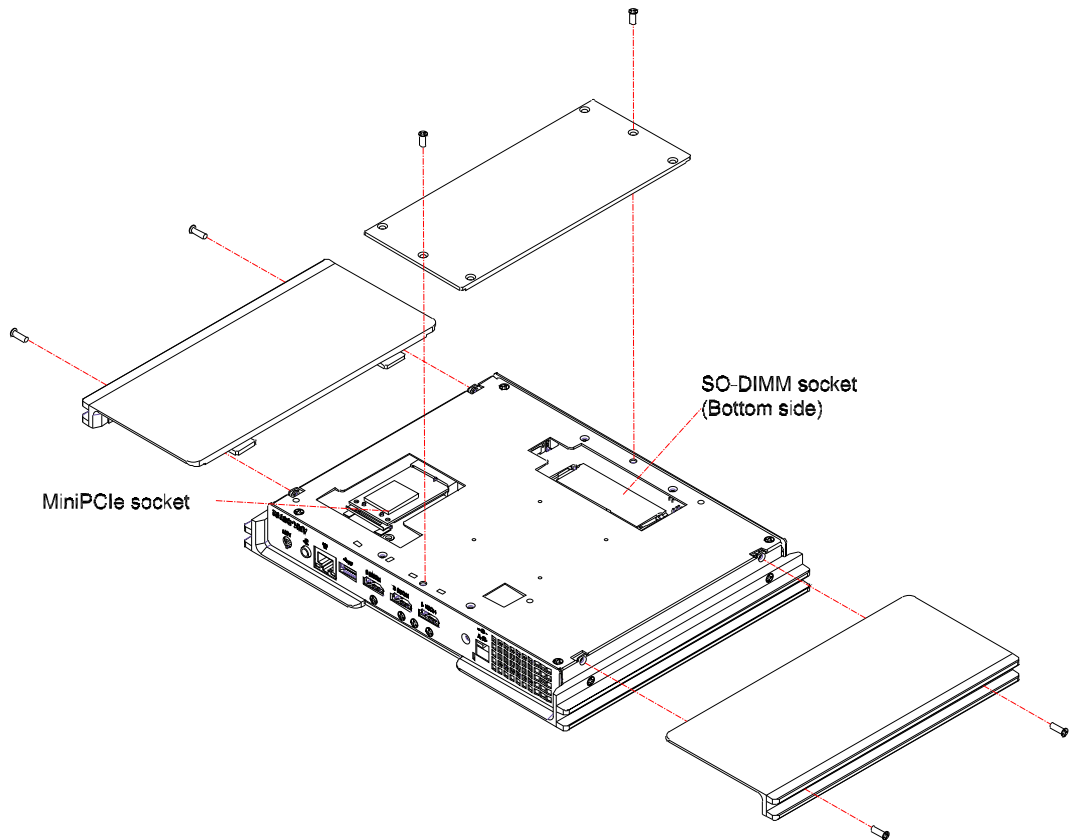


Figure 2.11 Mini PCIe and bottom-side memory installation

2.4.4 Cfast card installation

1. Open the Cfast card loader with remove the 2 screws on it.
2. Put the Cfast card on the Cfast card loader and slide in the slot.
3. Close the Cfast card loader bracket on the front panel and fasten the 2 screws.

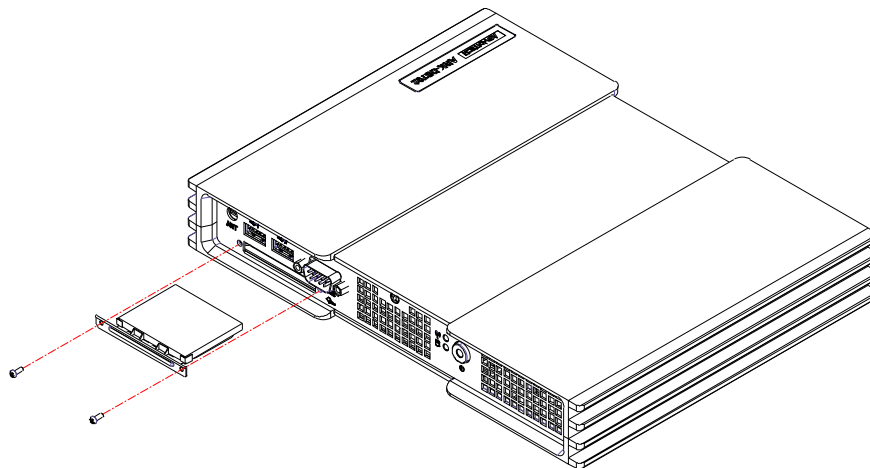


Figure 2.12 Cfast card installation

Chapter 3

BIOS Settings

This chapter introduces how to set BIOS configuration data.

3.1 BIOS Introduction

AMIBIOS has been integrated into many motherboards for over two decades. With the AMIBIOS Setup program, you can modify BIOS settings and control various system features. This chapter describes the basic navigation of the ARK-DS762 series BIOS setup screens.

AMIBIOS's ROM has a built-in setup program that allows users to modify the basic system configuration. This information is stored in battery-backed CMOS so it retains the setup information when the power is turned off.

3.2 Main Setup

When you first enter the BIOS Setup Utility, you will enter the Main setup screen. You can always return to the Main setup screen by selecting the Main tab.

The Main BIOS setup screen has two main frames. The left frame displays all the options that can be configured. Options in blue can be configured, and grayed-out options cannot be configured instead. The right frame displays the key legend.

The key legend in the top is an area reserved for a text message. When an option is selected in the left frame, it is highlighted in white. Often a text message will accompany it.

3.2.1 System Time / System Date

Use this option to change the system time and date. Highlight System Time or System Date using the <Arrow> keys. Enter new values through the keyboard. Press the <Tab> key or the <Arrow> keys to move between fields. The date must be entered in MM/DD/YY format. The time must be entered in HH:MM:SS format.



Figure 3.1 Main Setup Screen

3.2.2 Advanced BIOS Features Setup

Select the Advanced tab from the ARK-DS762 setup screen to enter the Advanced BIOS Setup screen. You can select any of the items in the left frame of the screen, such as CPU configuration, to go to the sub menu for that item. You can display an Advanced BIOS Setup option by highlighting it using the <Arrow> keys. All Advanced BIOS Setup options are described in this section. The Advanced BIOS Setup screens are shown below. The sub menus are described on the following pages.

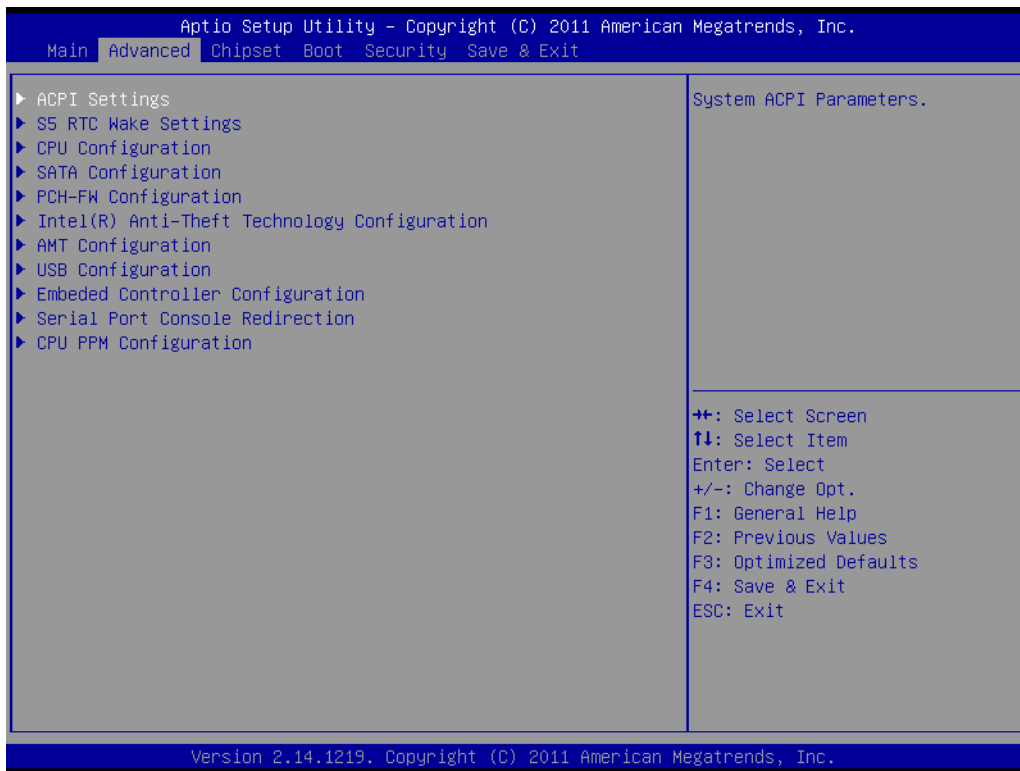


Figure 3.2 Advanced BIOS Features Setup Screen

■ ACPI Settings

This section allows you to control hardware monitoring and power management.

- **S5 RTC Wake Settings**
Enable system to wake from S5 using RTC alarm

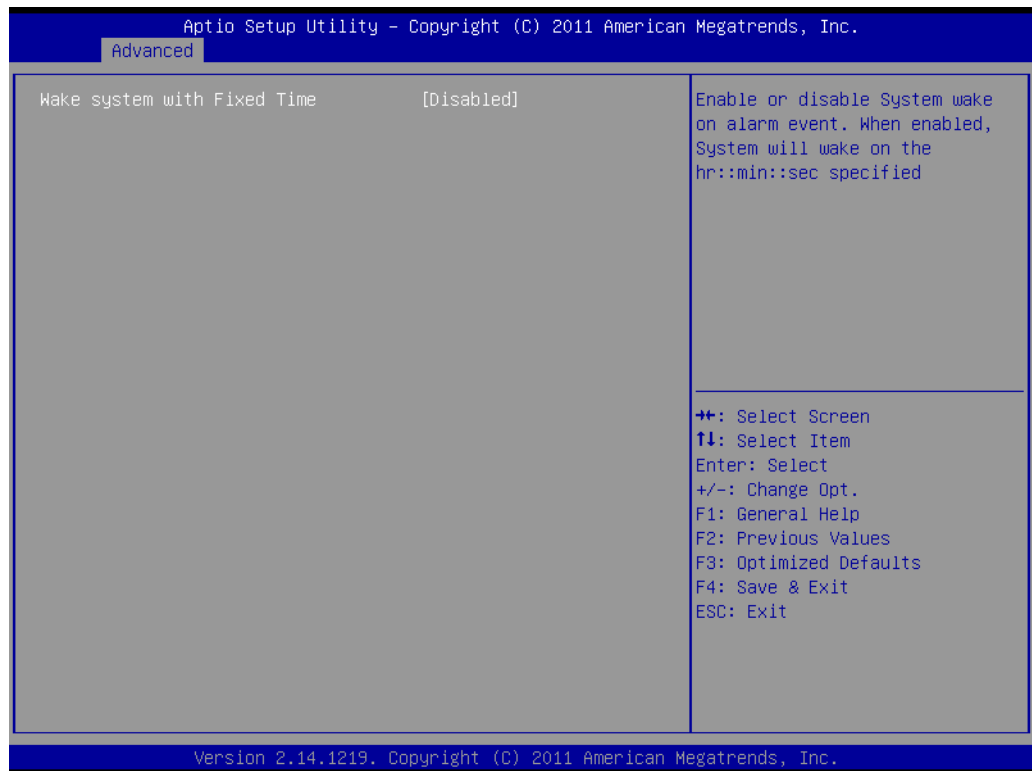


Figure 3.3 S5 RTC Setup Screen

■ CPU Configuration

- Hyper-threading: Enabled for Windows XP and Linux (OS optimized for Hyper-Threading Technology) and Disabled for other OS (OS not optimized for Hyper-Threading Technology). When disabled, only one thread per enabled-core is enabled.
- Active Processor Cores: Number of cores to be enabled in each processor package.
- Limit CPUID Maximum: Disabled for Windows XP.
- Execute Disable Bit: It can prevent certain classes of malicious buffer overflow attacks when combined with a supporting OS (Windows Server 2003 Sp1, Windows XP SP2, SuSE Linux 9.2 RedHat Enterprise 3 Update 3.).
- Intel Virtualization Technology: When enabled, a VMM can utilize the additional hardware capabilities provided by Vander pool Technology.
- Hardware Prefetcher: To turn on/off the Mid Level Cache (L2) streamer prefetcher.
- Adjacent Cache Line Prefetch: To turn on/off prefetching of adjacent cache lines

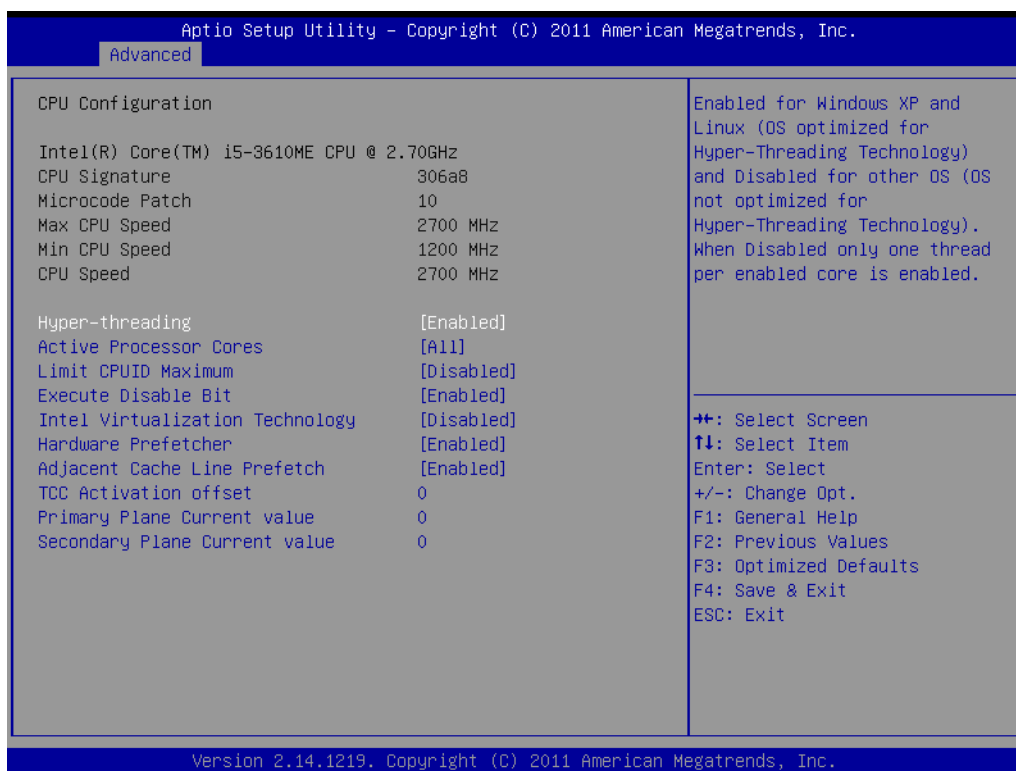


Figure 3.4 CPU Setup screen

■ SATA Configuration

This section allows you to set up SATA devices configuration.

- SATA Controller(s): Enable or disable SATA Device.
- SATA Mode Selection: Determines how SATA controller(s) operate. The choice: IDE, AHCI, RAID

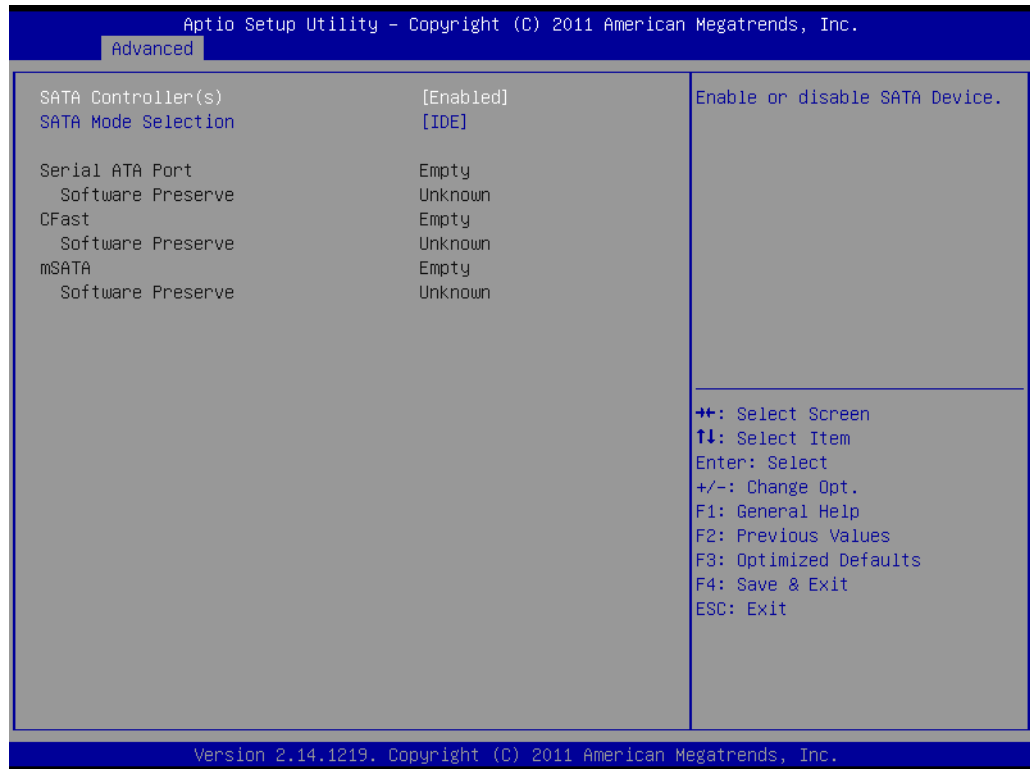


Figure 3.5 SATA Setup screen

■ PCH-FW Configuration

Configuration Management Engine Technology Parameters.

Intel Anti-Theft Technology Configuration: Disabling Intel AT Allow user to login to platform. This is strictly for testing only. This does not disable AT Services in ME.

- Intel Anti-Theft Technology: Enable/Disable Intel AT in BIOS for testing only.
- Intel Anti-Theft Technology Recovery: Set the number of times Recovery attempted will be allowed. Range: 1- 64

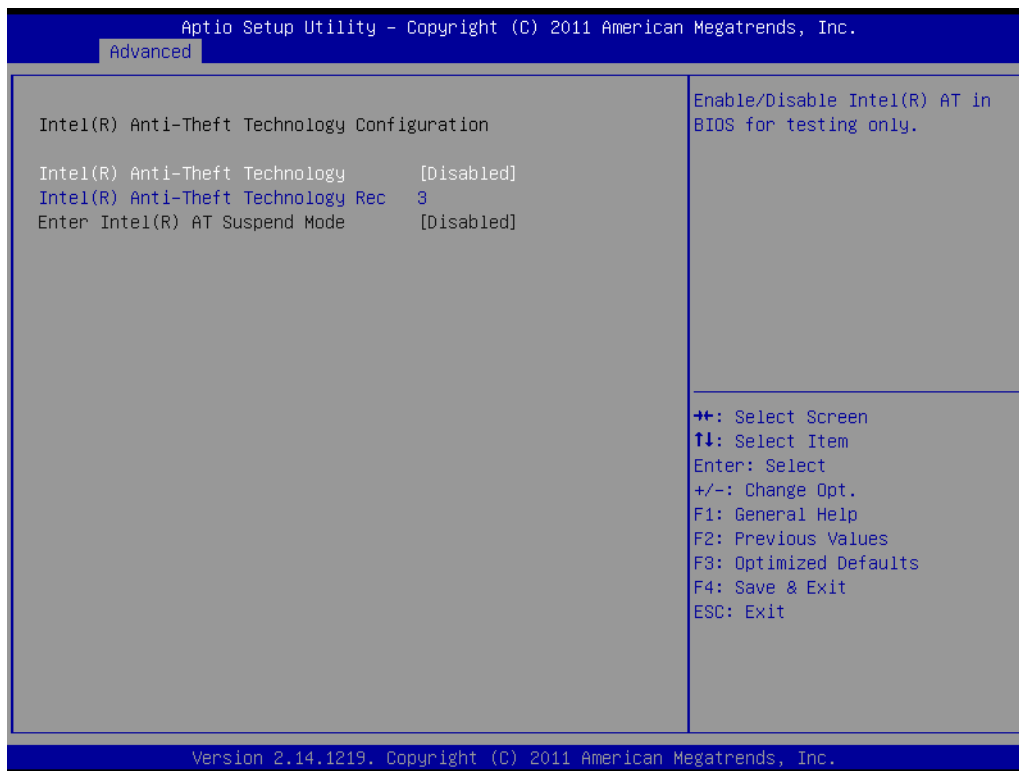


Figure 3.6 Intel Anti-Theft Technology Configuration

■ AMT Configuration

Configuration Active Management Technology parameters.

- Intel AMT: Enable/Disable Intel(R) Active Management Technology BIOS Extension.
- Note: iAMT H/W is always enabled. This option just controls the BIOS extension. If enabled, this requires additional firmware in the SPI device.
- BIOS Hotkey Pressed: OEMFLag Bit 1: Enable/Disable BIOS hotkey press.
- MEBx Selection Screen: OEMFLag Bit 2: Enable/Disable MEBx selection screen.
- Hide Un-Configure ME Confirmation: OEMFLag Bit 6: Hide Un-Configure ME without password Confirmation Prompt.
- MEBx Debug Message Output: OEMFLag Bit 14: Enable MEBx debug message Output.
- Un-Configure ME: OEMFLag Bit 15: Un-Configure ME without password.
- Amt Wait Timer: Set timer to wait before sending ASF_GET_BOOT_OPTIONS.
- ASF: Enable/Disable Alert Specification Format
- Activate Remote Assistance Process: Trigger CIRA boot.
- USB Configure: Enable/Disable USB Configure function.
- PET Progress: User can Enable/Disable PET Events progress to receive PET events or not.
- WatchDog: Enable/Disable WatchDog Timer.

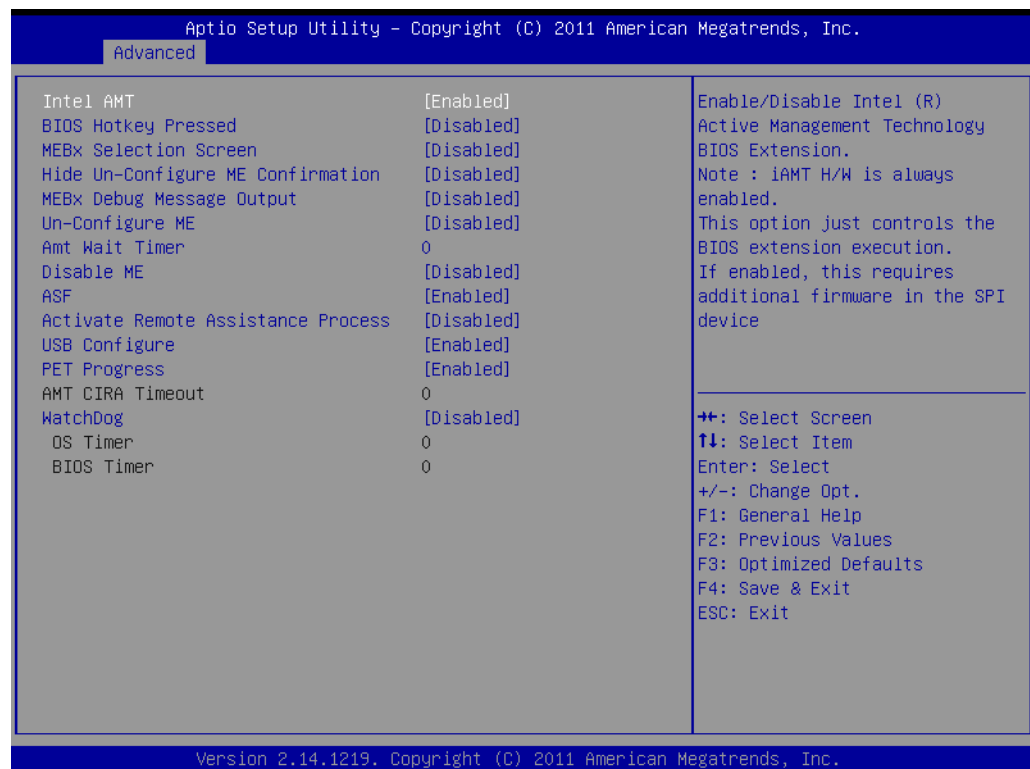


Figure 3.7 AMT Configuration setup screen

■ USB Configuration

USB Configuration Parameters.

- Legacy USB Support: Enable Legacy USB support. AUTO option disables legacy support if no USB devices are connected. DISABLE option will keep USB devices available only for EFI applications
- EHCI Hand-off: This is a workaround for OSes without EHCI hand-off support. The EHCI ownership change should be claimed by EHCI driver.
- USB transfer time-out: The time-out value for Control, Bulk, and Interrupt transfers. The choice: 1 sec, 5 sec, 10 sec, 20 sec
- Device reset time-out: USB mass storage device Start Unit Command time-out. The choice: 10 sec, 20 sec, 30 sec, 40 sec
- Device power-up delay: USB mass storage device Start Unit Command time-out.

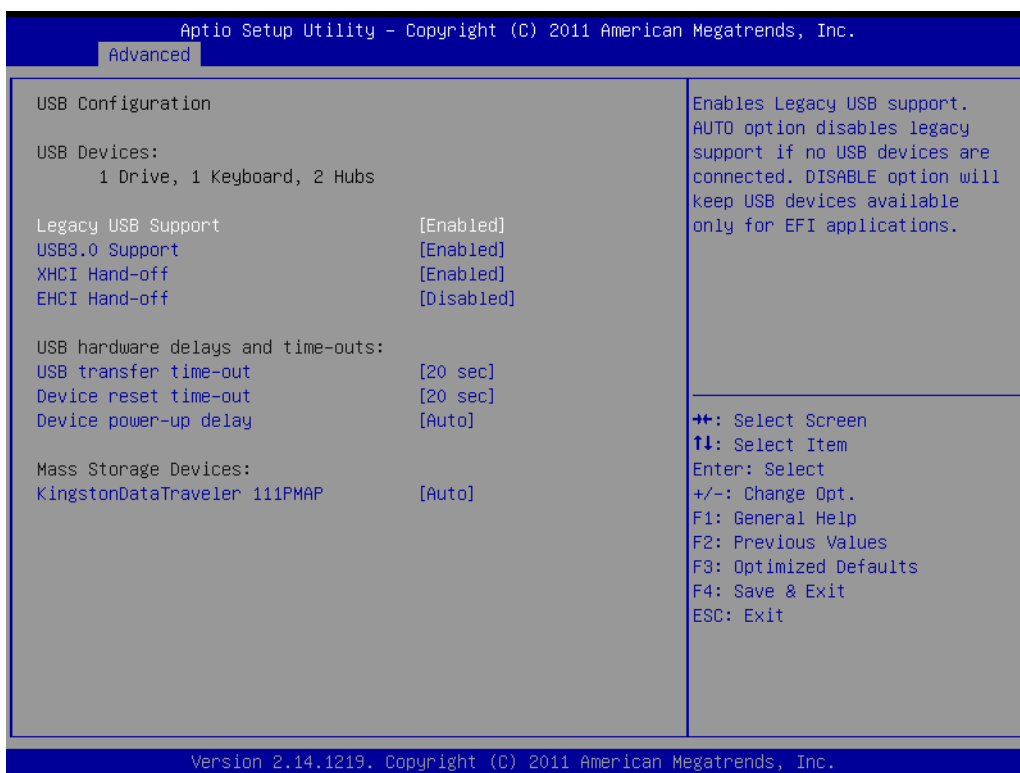


Figure 3.8 USB Configuration setup screen

■ **Embedded Controller Configuration**

System Embedded Controller Chip Parameters.

- Power Saving Mode: Select ITE8518 Power Saving Mode. The choice: Normal, Deep Sleep
- Resume on Ring: Enable/Disable Resume on Ring Function
- Serial Port 0 Configuration: Set parameters of serial port 0 (COM)
- Serial port: Enable/Disable
- Change setting: Select an optimal setting for super IO device.
- Device mode: Normal/High speed
- H/W Monitor: Monitor hardware status



Figure 3.9 Embedded Controller Configuration setup screen

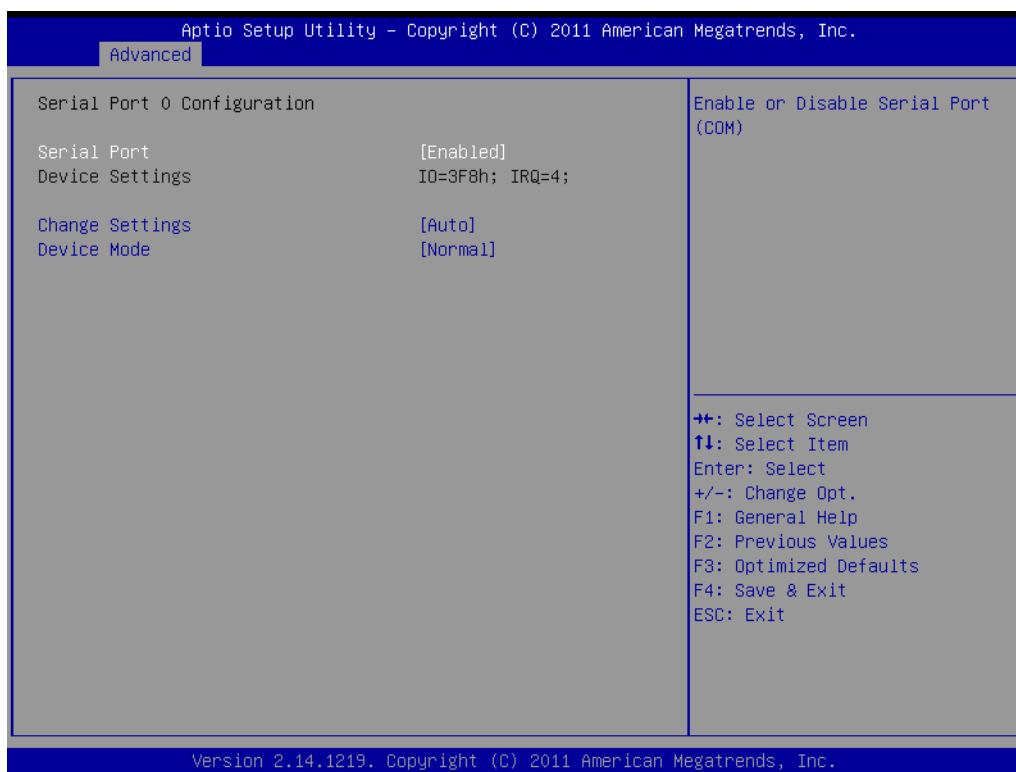


Figure 3.10 Serial Port 0 Configuration setup screen

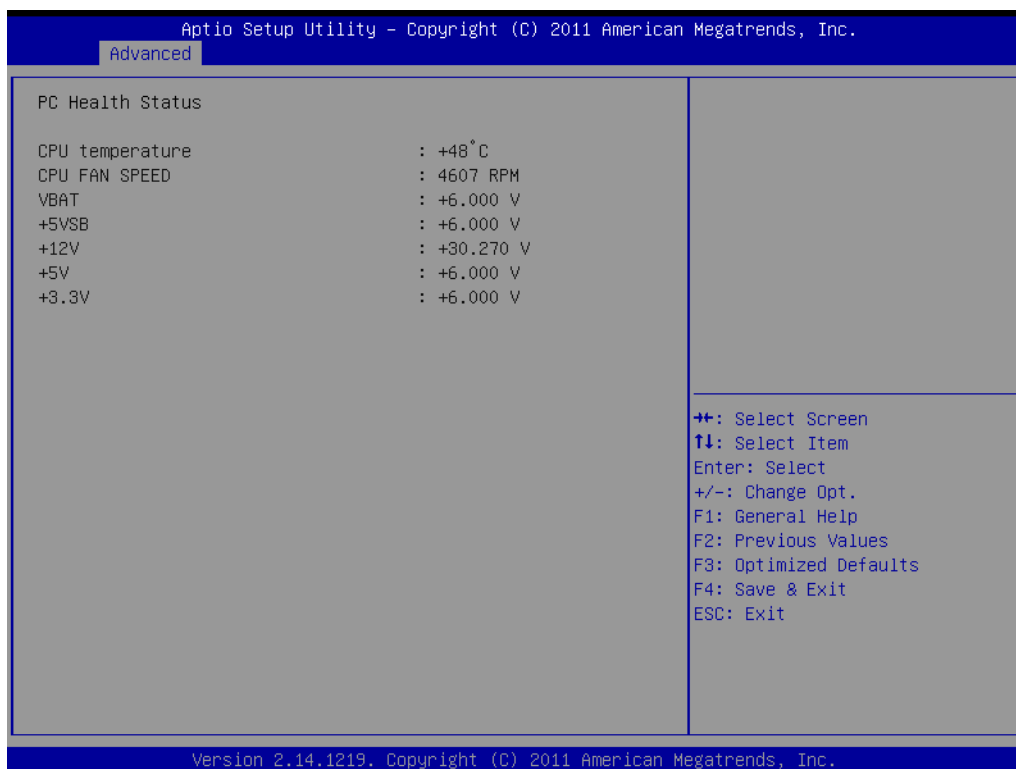


Figure 3.11 H/W monitor screen

- **Serial Port Console Redirection:**
 - Console Redirection: Enable/Disable
- **CPU PPM Configuration**
 - CPU PPM Configuration Parameters
 - EIST: Enable/Disable Intel SpeedStep
 - Turbo Mode: Turbo Mode
 - CPU C3 Report: Enable/Disable CPU C3(ACPI C2) report to OS
 - CPU C6 Report: Enable/Disable CPU C6(ACPI C3) report to OS
 - CPU C7 Report: Enable/Disable CPU C7(ACPI C3) report to OS
 - ACPI T State: Enable/Disable ACPI T State support

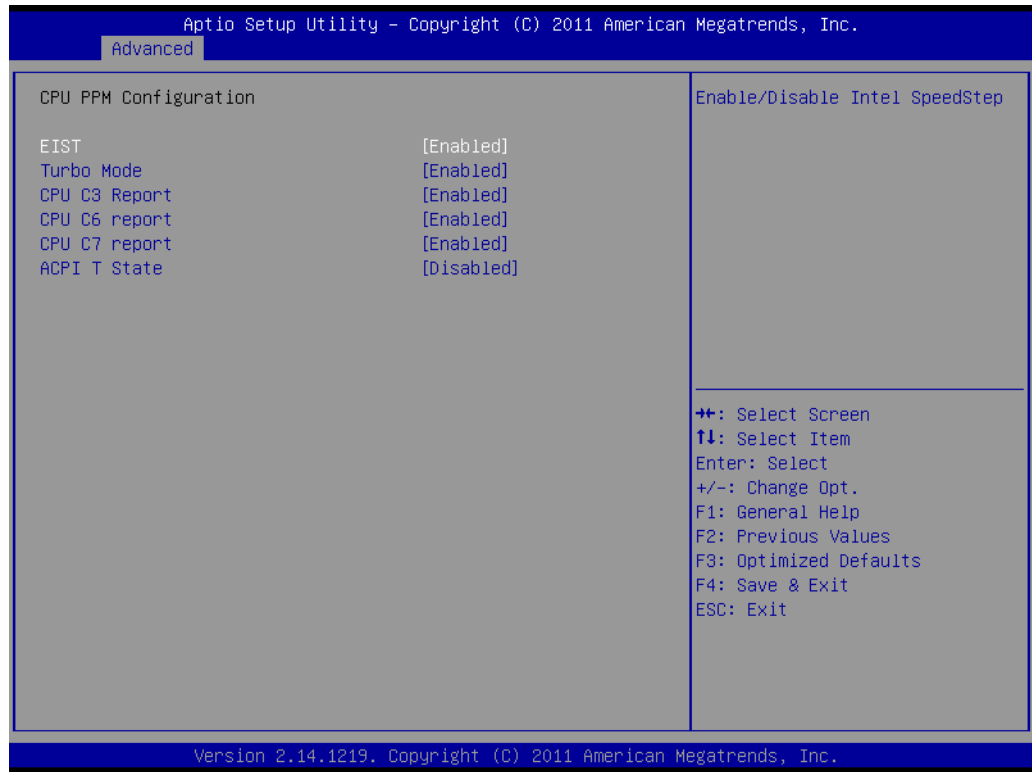


Figure 3.12 CPU PPM Configuration setup screen

3.2.3 Chipset BIOS Feature Setup

Select the Chipset tab from the ARK-DS762 setup screen to enter the Chipset BIOS Setup screen. Users can select any item in the left frame of the screen.

- **PCH-IO Configuration: PCH Parameters**
 - PCI Express Configuration: PCI Express configuration settings
 - USB Configuration: Enable or disable XHCI pre-boot driver support
 - PCH Azalia Configuration: Disable, Enable, Auto
 - PCH LAN Controller: Enable or disable on board NIC
 - Wake On LAN: Enable or disable integrated LAN to wake the system. (The Wake On LAN cannot be disabled if ME is on at Sx state)
 - Launch PXE OpROM: Enable or disable boot options for legacy network devices.
 - High Precision Timer: Enable or disable the high precision event timer.
 - SLP_S4 Assertion Width: Select a minimum assertion width of the SLP_S4# signal
 - Restore AC Power Loss: Select AC power state when power is re-applied after a power failure. The choice: Power Off, Power On, Last State
- **System Agent (SA) Configuration: System Agent (SA) Parameters**
 - VT-d: Check to enable VT-d function on MCH
 - Graphics Configuration: Config graphics settings
 - DMI Configuration: Control various DMI functions.
 - Memory Configuration: Memory configuration parameters

3.2.4 Boot BIOS Feature Setup

Select the Boot tab from the ARK-DS762 setup screen to enter the Boot BIOS Setup screen. Users can select any item in the left frame of the screen.

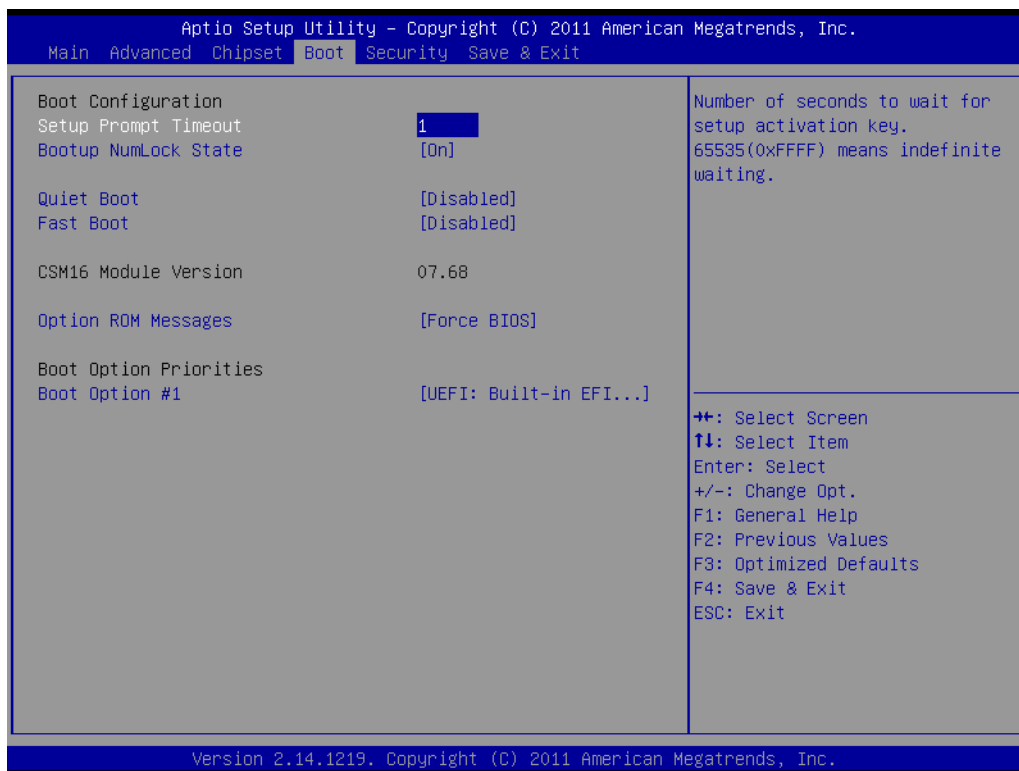


Figure 3.13 Boot configuration setup screen

- **Setup Prompt Timeout:** Number of seconds to wait for setup activation key. 65535(0xFFFF) means indefinite waiting.
- **Boot NumLock State:** Select the keyboard NumLock state
- **Quiet Boot:** Enable or disable Quiet Boot option
- **Fast Boot:** Enables or disables boot with initialization of a minimal set of devices required to launch active boot option. Has no effect for BBS boot options.
- **Option ROM Messages:** Set display mode for option ROM. The choice: Force BIOS, Keep Current
- **Boot Option #1:** Set the system boot order
- **Hard Driver BBS Priorities:** Set the order of the legacy devices in this group

3.2.5 Security BIOS Feature Setup

Select the Security tab from the setup screen to enter the Security BIOS Setup screen.

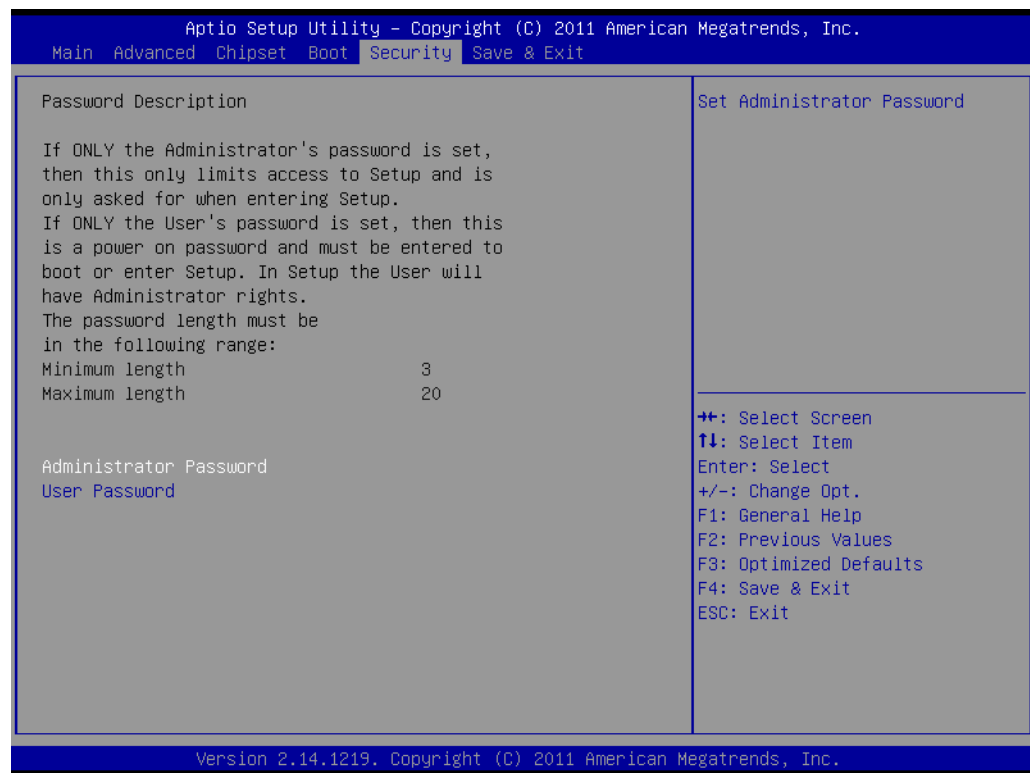


Figure 3.14 Security configuration setup screen

- **Administrator Password:** Set up Administrator Password.
- **User Password:** Set User Password.

3.2.6 Save & Exit BIOS Feature Setup

Select the Save & Exit tab from the setup screen to enter the Save & Exit BIOS Setup screen.

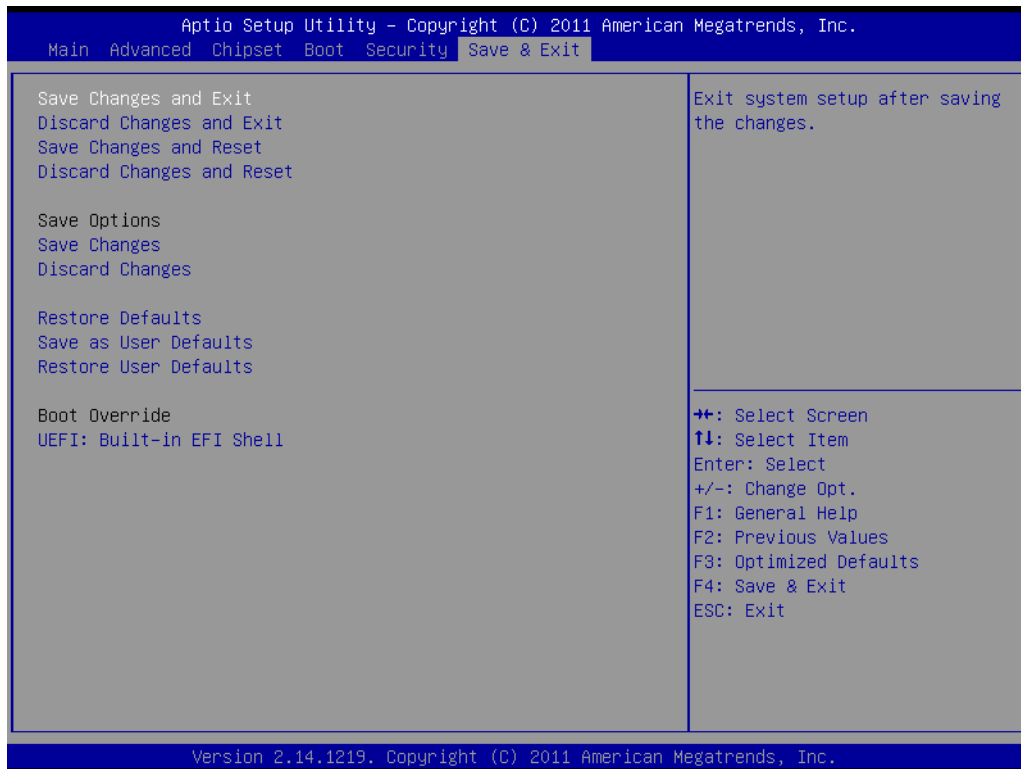


Figure 3.15 Save & Exit configuration setup screen

- **Save Changes and Exit:** Exit system setup after saving the changes.
- **Discard Changes and Exit:** Exit system setup without saving any changes.
- **Save Changes and Reset:** Reset the system after saving the changes.
- **Discard Changes and Reset:** Reset system setup without saving any changes.
- **Save Changes:** Save Changes done so far to any of the setup options.
- **Discard Changes:** Discard Changes done so far to any of the setup options.
- **Restore Defaults:** Restore/Load Defaults values for all the setup options.
- **Save as User Defaults:** Save the changes done so far as User Defaults.
- **Restore User Defaults:** Restore the User Defaults to all the setup options.

Appendix **A**

SUSIAccess
Introduction

A.1 SUSIAccess® - Remote Device Management

Advantech has designed an industrial remote management program to provide our customers with remote device monitoring, desktop connection, system recovery and system protection features that will help customers to access multiple clients through a single console for remote device management. SUSIAccess will immediately recognize sudden equipment malfunctions and provide real-time equipment maintenance, as well as system security protection mechanisms that significantly improve maintenance efficiency. Plus, an active update feature will improve system stability and reliability.



- **Remote Monitoring:** Monitors system status of remote devices, including hard disk temperature, hard drive health, network connection, system / CPU temperatures, system / CPU fan speeds and system voltages. Support for email alarms and function logs so that managers can regularly keep on top of their remote devices.
- **Remote On/Off:** Control on/off times according to each device, or pre-set time cycles to switch a device on/off. For example, a public service machine can be set for 6:00 am start and 23:00 pm shutdown. Ideal for night time and energy saving applications.
- **Remote KVM:** Controls the desktops of remote devices. IT technicians or maintenance engineers can manipulate a remote computer directly for maintenance and updates. Pre-configure settings without the need to enter individual IP, username and passwords—providing significant reduction in service times required.

- **System Recovery:** Controls system backup and restore of remote devices, or pre-set system backup types and restore times. For example, a bank ATM machine is set for system backup every Monday at 1:00 am. If a system crashes, you can immediately gain access via the remote console, and perform a system recovery so that the equipment maintains normal operation. (System recovery programs use Acronis True Image backup and restore technology which must be installed before use.)
- **System Protection:** Controls remote equipment, system protection and monitoring, and security. If a machine is threatened by a virus, the program will automatically detect and prevent intrusions.
*System Saver program integrates McAfee's Embedded Security System Protection program which must be installed before use.