
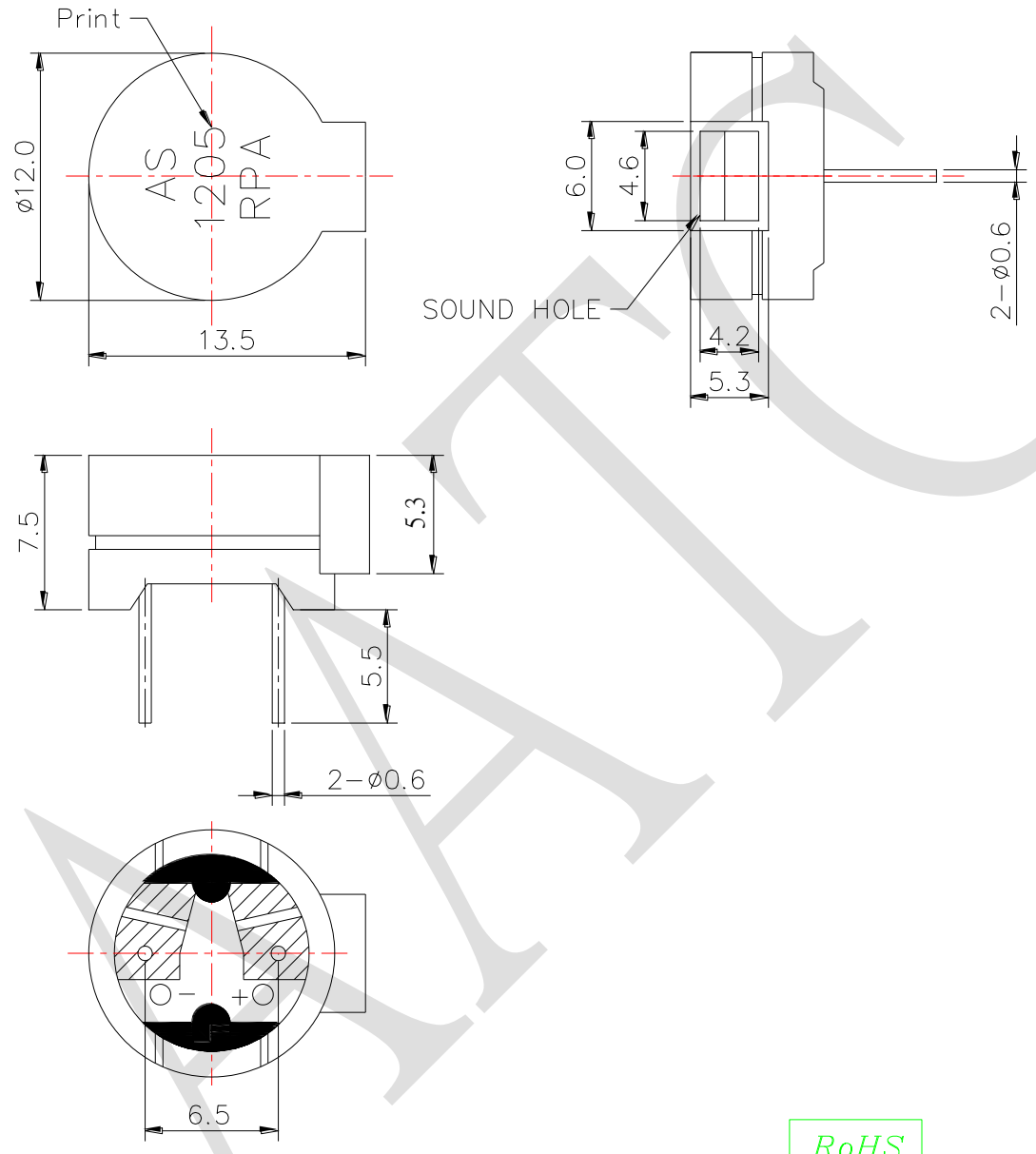


1. SPECIFICATION

AS-1205A-RPA

ITEM		UNITS	SPECIFICATIONS	CONDITIONS
01	Rated Voltage	V	5	 <p>V_{p-p} 0V</p>
02	Operating Voltage	V	3 ~ 7	
03	Consumption Current	mA Max.	100	Standard state, standard drive circuit. Square wave 1/2 duty.
04	Sound pressure level (Distance at 10cm)	dB(A) Min.	95	Rated voltage, rated frequency.
05	Direct Current Resistance	Ω	16±2.4	
06	Rated Frequency	Hz	2700	

REV NO.	REVISION NOTE	APPROVAL	DATE
---------	---------------	----------	------



RoHS

TITLE: ELECTRO MAGNETIC BUZZER		DRAWN: Zack	2016/12/14	SCALE: 4:1	SHEET: 1 of 1
PART NO. AS-1205A-RPA	2	DESIGNED: R&D OF AAT		UNITS: mm	TOLERANCE ± 0.5
DWG NO. HS-1205A-RPA		CHECKED:		UNLESS OTHERWISE SPECIFIED:	
REV		APPROVAL:		ONE PLACE DECIMAL ± ***	TWO PLACE DECIMAL ± ***
		MATERIAL: NORYL			



ADVANCED ACOUSTIC TECHNOLOGY CORPORATION