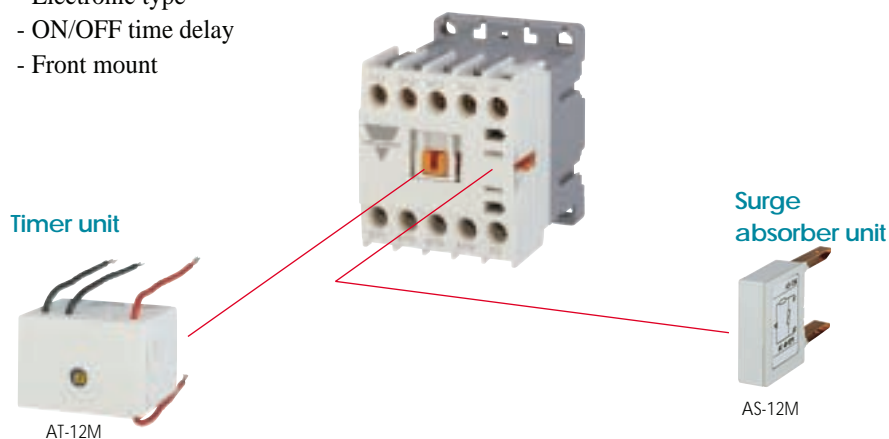


Accessories for mini contactors

Timer unit, AT-12M

- Electronic type
- ON/OFF time delay
- Front mount



Electronic Timer

Type	Control voltage	Delay	Time	Applied contactors
AT-12M / -on	AC/DC 24-48V	ON	0.1-30s	CGMS-6A-16A CGMS-6D-16D
AT-12M / -off	AC/DC 24-48V	OFF	0.1-30s	CGMS-6A-16A CGMS-6D-16D
AT-12M / on	AC 100-220V	ON	0.1-30s	CGMS-6A-16A CGMS-6D-16D
AT-12M / off	AC 100-220V	OFF	0.1-30s	CGMS-6A-16A CGMS-6D-16D

Surge absorber unit, AS-12M

- Coil suppressor



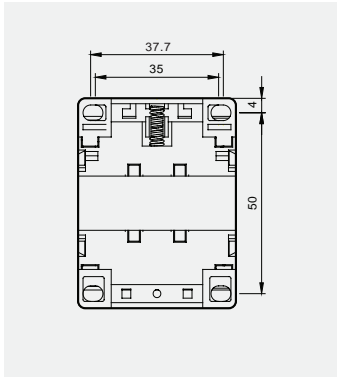
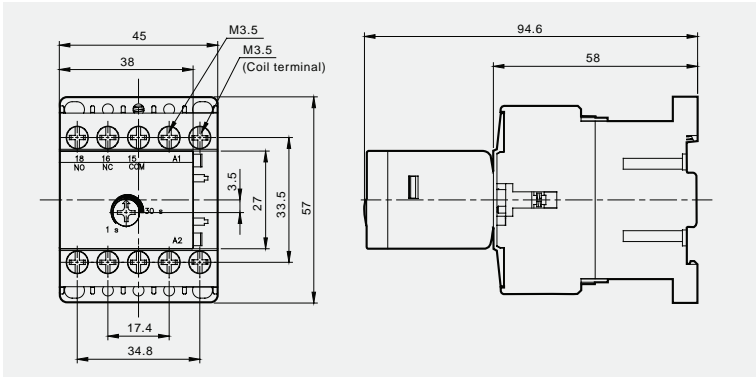
Surge absorber unit

Type	Internal element	Operational voltage	Applied contactors
AS-12M / 1	Varistor	AC24-48V	CGMS-6A-16A
AS-12M / 2		AC60-127V	
AS-12M / 3		AC200-240V	
AS-12M / 4		DC12-24V	CGMS-6D-16D
AS-12M / 5		DC30-72V	
AS-12M / 6		DC100-127V	
AS-12M / 7		DC200-250V	

Mini contactors

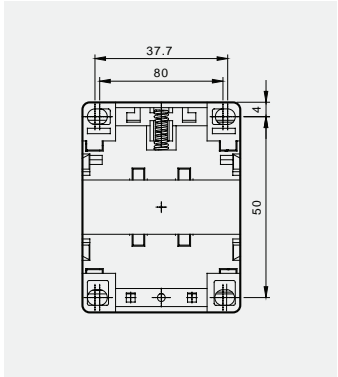
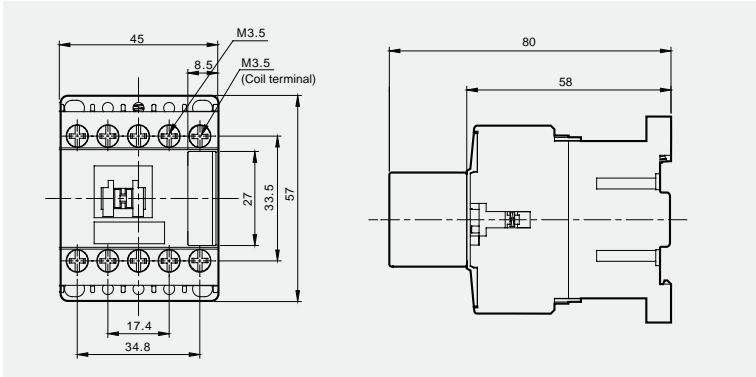
Dimensions

CGMS-12A
+
AT-12M



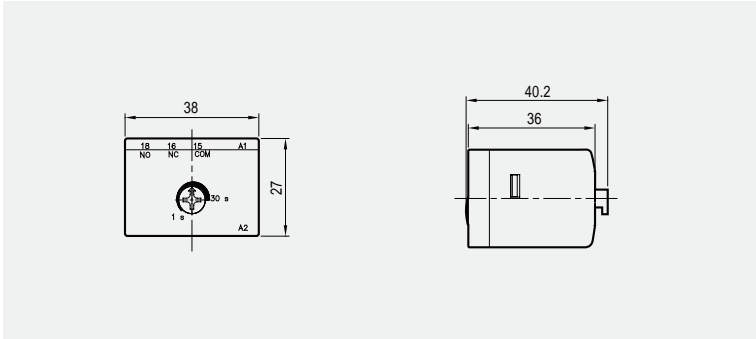
0.21kg

CGMS-12D
+
AS-12M



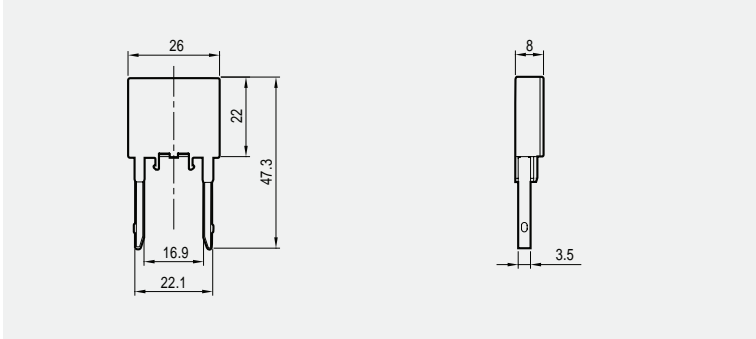
0.175kg

AT-12M



0.04kg

AS-12M



0.005kg