
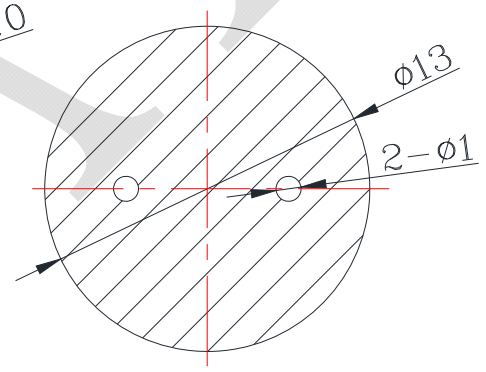
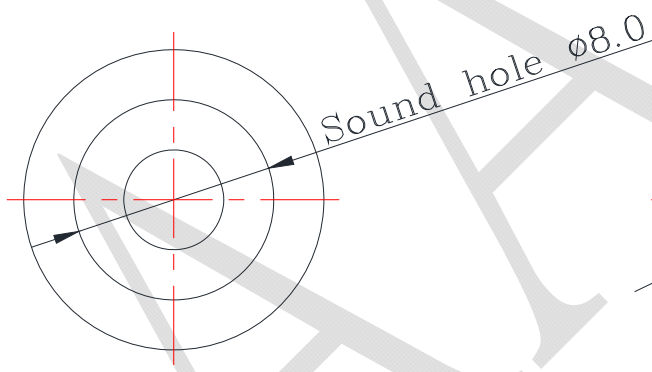
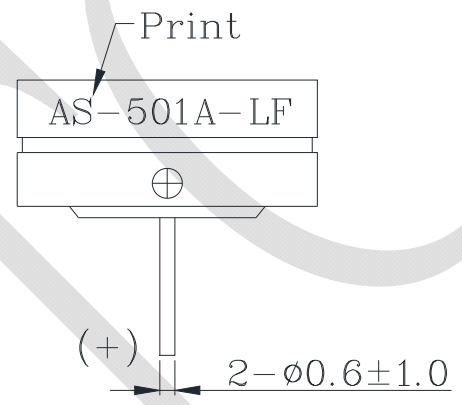
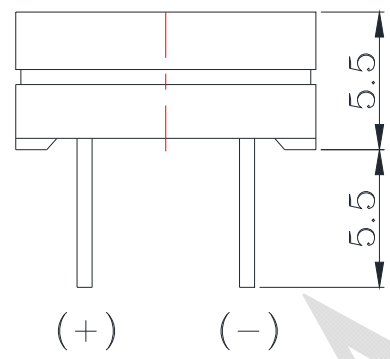
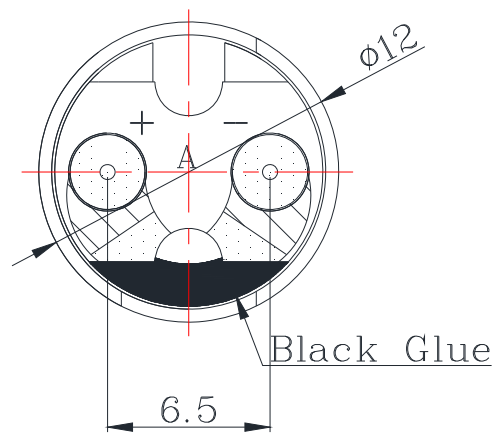


1. SPECIFICATION

AS-501A-LF

ITEM		UNITS	SPECIFICATIONS	CONDITIONS
01	Rated Voltage	V	1.5	
02	Operating Voltage	V	1 ~ 3	
03	Consumption Current	mA Max.	35	Standard state, standard drive circuit. Square wave 1/2 duty.
04	Sound pressure level (Distance at 10cm)	dB(A) Min.	78	Rated voltage, rated frequency.
05	Direct Current Resistance	Ω	16 \pm 2.4	
06	Rated Frequency	Hz	2048	
07	Operating Temp.	$^{\circ}\text{C}$	-30 ~ +70	
08	Storage Temp.	$^{\circ}\text{C}$	-40 ~ +80	
09	Weight	g	1.5	

REV NO.	REVISION NOTE	APPROVAL	DATE
---------	---------------	----------	------



RECOMMENDED PCB LAYOUT

RoHS

TITLE: ELECTRO MAGNETIC BUZZER		DRAWN: <i>Zack</i> 2020/06/09	SCALE: 4:1	SHEET: 1 of 1
PART NO. AS-501A-LF		DESIGNED: R&D OF AAT	UNITS: mm	
DWG NO. UGC12G-105AP5.5A	3 REV	CHECKED:	TOLERANCE ± 0.5	
		APPROVAL:	UNLESS OTHERWISE SPECIFIED:	
		MATERIAL: NORYL	ONE PLACE DECIMAL ± ***	
			TWO PLACE DECIMAL ± ***	
			THREE PLACE DECIMAL ± ***	



ADVANCED ACOUSTIC TECHNOLOGY CORPORATION