


1. SPECIFICATION

AS-905I-P2

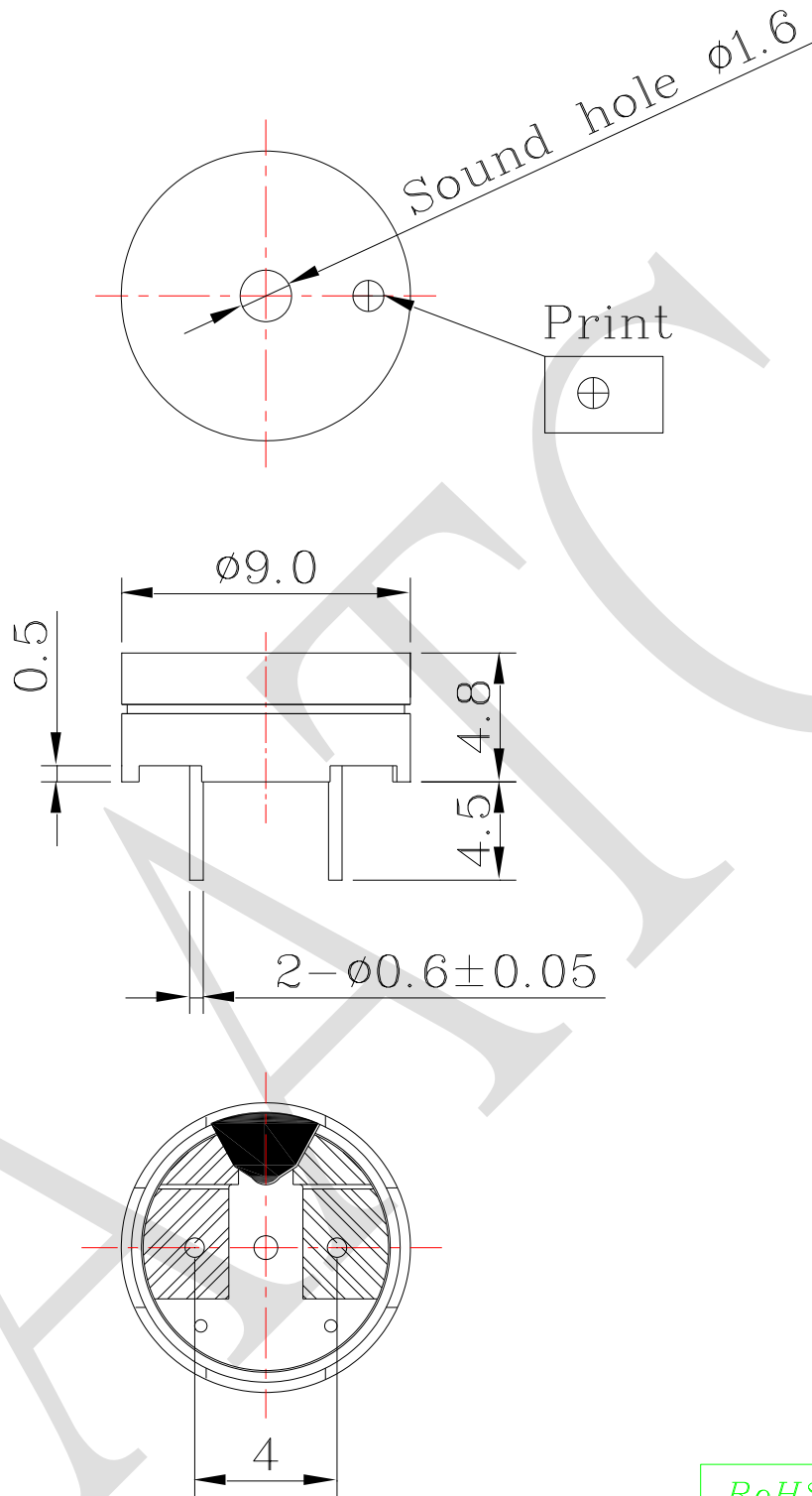
ITEM		UNITS	SPECIFICATIONS	CONDITIONS
01	Rated Voltage	V	5.0	
02	Operating Voltage	V	3.0 ~ 8.0	
03	Consumption Current	mA (Max)	Mean : 80	Applying rated voltage, rated frequency Square wave, 1/2 duty subject to standard state.
			Peak : 240	
04	Direct Current Resistance	Ω	30 ± 5	
05	Sound pressure level (Distance at 10cm)	dBA (Min)	85	Applying rated voltage, rated frequency Square wave, 1/2 duty subject to standard state.
06	Rated Frequency	Hz	2731	

REV NO.

REVISION NOTE

APPROVAL

DATE



RoHS

TITLE: ELECTRO MAGNETIC BUZZER		DRAWN: Jerry	2013/02/18	SCALE: 4:1	SHEET: 1 of 1
PART NO. AS-905I-P2		DESIGNED: R&D OF AAT		UNITS: mm	
DWG NO. UCCM0905CPD-30		CHECKED:		TOLERANCE ± 0.5	
		APPROVAL:		UNLESS OTHERWISE SPECIFIED:	
1	REV	MATERIAL: NORYL		ONE PLACE DECIMAL \pm ***	
				TWO PLACE DECIMAL \pm ***	
				THREE PLACE DECIMAL \pm ***	



ADVANCED ACOUSTIC TECHNOLOGY CORPORATION