
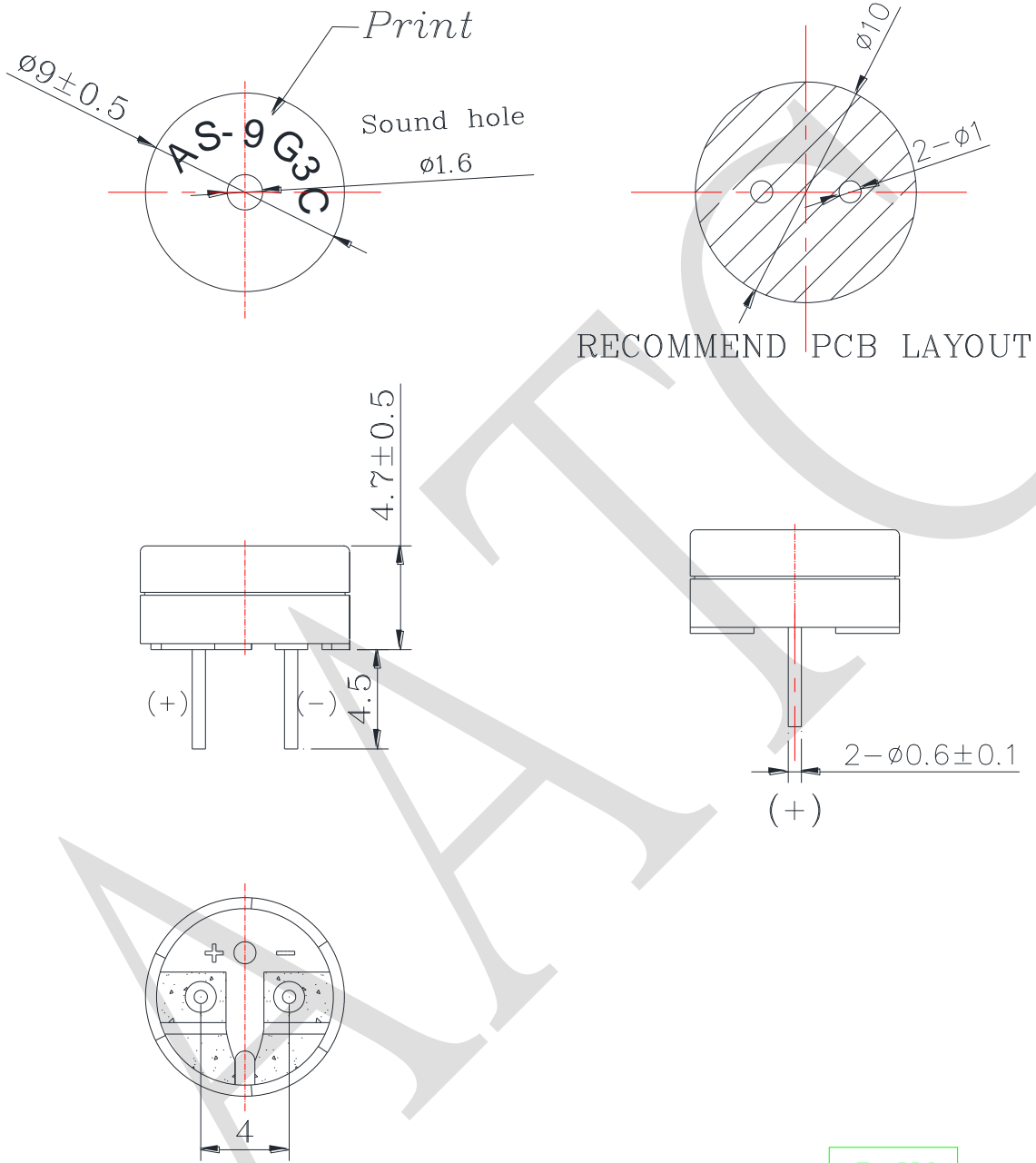


1. SPECIFICATION

AS-9G3C

ITEM		UNITS	SPECIFICATIONS	CONDITIONS
01	Rated Voltage	V	3	 <p>Standard state, standard drive circuit. Square wave 1/2 duty.</p>
02	Operating Voltage	V	2 ~ 4.2	
03	Consumption Current	mA Max.	150	
04	Sound pressure level (Distance at 10cm)	dB(A) Min.	93	Rated voltage, rated frequency.
05	Direct Current Resistance	Ω	8 ± 1.2	
06	Rated Frequency	Hz	2730	

REV NO.	REVISION NOTE	APPROVAL	DATE
---------	---------------	----------	------



RoHS

TITLE: ELECTRO MAGNETIC BUZZER		DRAWN: Hank	2020/03/05	SCALE: 4:1	SHEET: 1 of 1
PART NO. AS-9G3C		DESIGNED: R&D OF AAT	UNITS: mm		
DWG NO. JM90473E8P		CHECKED:	TOLERANCE ± 0.5		
REV 1		APPROVAL:	UNLESS OTHERWISE SPECIFIED:		
MATERIAL: PPO			ONE PLACE DECIMAL \pm ***		
			TWO PLACE DECIMAL \pm ***		
			THREE PLACE DECIMAL \pm ***		



ADVANCED ACOUSTIC TECHNOLOGY CORPORATION