

# simpleANT3B-CAL

**Calibrated Survey Tripleband + L-band  
RTK GNSS antenna (IP67)**

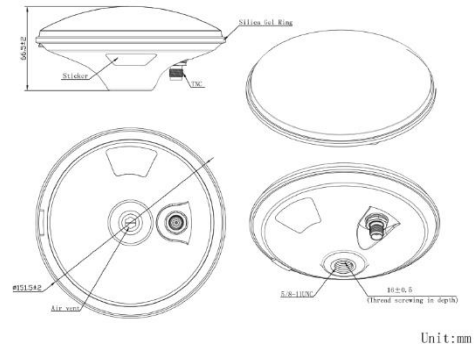
**SKU: AS-ANT3B-CAL-L1256-SMATNC-01**



Dimensions: 152x152x67 mm

## Antenna

Frequency	GPS L1/L2/L5/L6 GLONASS G1/G2/G3 COMPASS B1/B2/B3 Galileo E1/E5b/E6
Polarization	RHCP
Axial ratio	$\leq 3\text{dB}$
V.S.W.R.	$\leq 1.5$
Gain	5.5dBi (Zenith)
Impedance	50 $\Omega$
Horizontal coverage angle	360°



Calibration Files available at:  
<https://geodesy.noaa.gov/ANTCAL/>  
Manufacturer: AS - ArduSimple  
Antenna: AS-ANT3BCAL01

## Electrical

Gain	40 $\pm$ 2dB
Noise figure	$\leq 1.5\text{dB}$
Passband fluctuation	$\pm 1\text{dB}$
Supply voltage	3.0~12V DC
Current consumption	$\leq 50\text{mA}$ @ 3V
V.S.W.R.	$\leq 1.5$

## Mechanical

Connector	TNC Female (1.5m to SMA male and 2.5m to TNC Male included)
Mounting	5/8" thread
Weight	490g

## Environmental

Operating temperature	-40°C~+85°C
Ingress Protection	IP67 (excluding air vent that can be sealed by mounting pole)
Environmentally friendly	ROHS Compliant

© 2021 ArduSimple – info@ardusimple.com