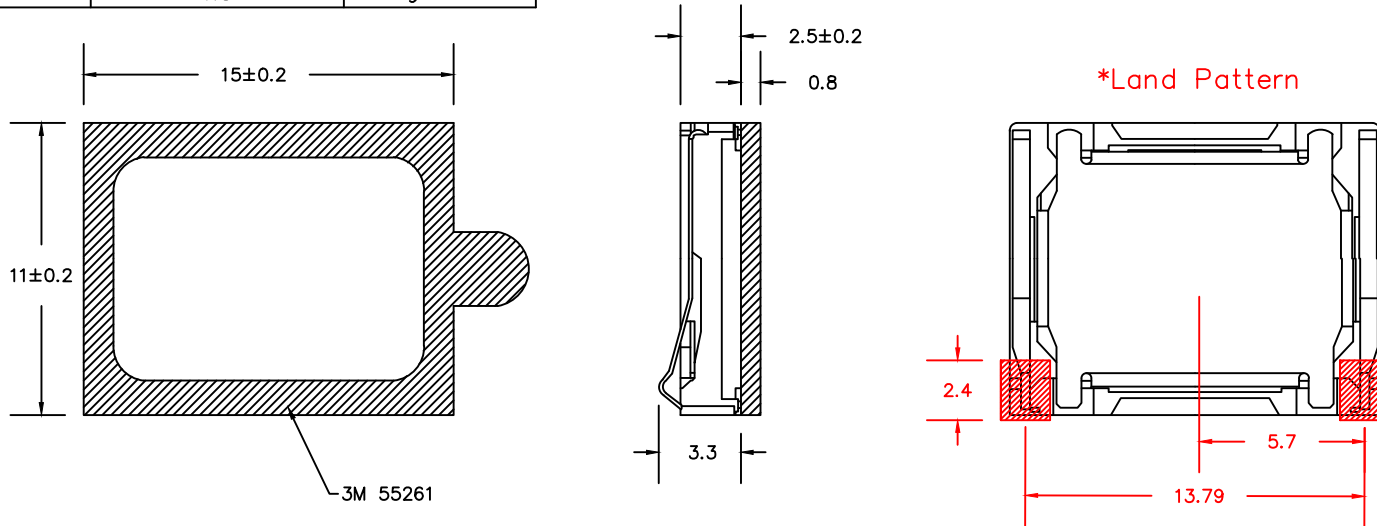


THIS DOCUMENT CONTAINS DATA PROPRIETARY TO PROJECTS UNLIMITED, INC. ANY USE OR REPRODUCTION, IN ANY FORM, WITHOUT PRIOR WRITTEN PERMISSION OF PROJECTS UNLIMITED, INC. IS PROHIBITED.  
© 2005, Projects Unlimited Inc.

### SPECIFICATIONS


PARAMETERS	VALUES	UNITS
RATED INPUT POWER	1	W
MAX INPUT POWER	1.2	W
IMPEDANCE	6±15%	OHM
OUTPUT SPL @ 2.45Vrms/0.1M (2.0kHz 1cc box)	93±3	dBA
DISTORTION (MAX.)	10%	-
RESONANT FREQUENCY	650±20% free air, 950±20% 1cc box	Hz
FREQUENCY RANGE	F <sub>o</sub> ~ 20,000	Hz
HOUSING MATERIAL	PBT	-
CONE MATERIAL	PEEK	-
MAGNET MATERIAL	NdFeB	-
OPERATING TEMPERATURE	-20 ~ +70	°C
WEIGHT	1.5	grams

REVISIONS			
LTR	DESCRIPTION	DATE	APPROVED
-	RELEASED FROM ENGINEERING	12/7/18	



**NOTES:**

1. ALL DIMENSIONS ARE IN MILLIMETERS.
2. SPECIFICATION SUBJECT TO CHANGE OR WITHDRAWAL WITHOUT NOTICE.
3. 2-SIDED ADHESIVE: 3M 55261
4. THIS PART IS RoHS 2011/65/EU COMPLIANT.
5. THE FACE OF THIS PART CONFORMS TO IP55 WATERPROOF STANDARDS.

<small>UNLESS OTHERWISE SPECIFIED: ALL PURCHASES ARE SUBJECT TO THE PUI AUDIO TERMS AND CONDITIONS SALE FOUND AT <a href="http://www.puiaudio.com/pdf/terms_conditions.pdf">http://www.puiaudio.com/pdf/terms_conditions.pdf</a> (paper copy available upon request). DIMENSIONS ARE IN MILLIMETERS. TOLERANCES ARE ±0.5 AND ANGLES ARE ±3°.</small>		 <p><b>pui audio</b> inc a projects unlimited company</p>	<p>3541 Stop Eight Road Dayton, Ohio 45414</p>				
APPROVALS	DATE			<h2>SPEAKER</h2>			
DRAWN	M.L.	8/18	SIZE		A	DRAWING NO.	AS01506MS-SC15-WP-3-R
CHECKED	M.L.	8/18	APPROVED		B.R.	8/18	SCALE:
FILE NAME	AS01506MS-SC15-WP-3-R.DWG		SHEET		1	OF	1