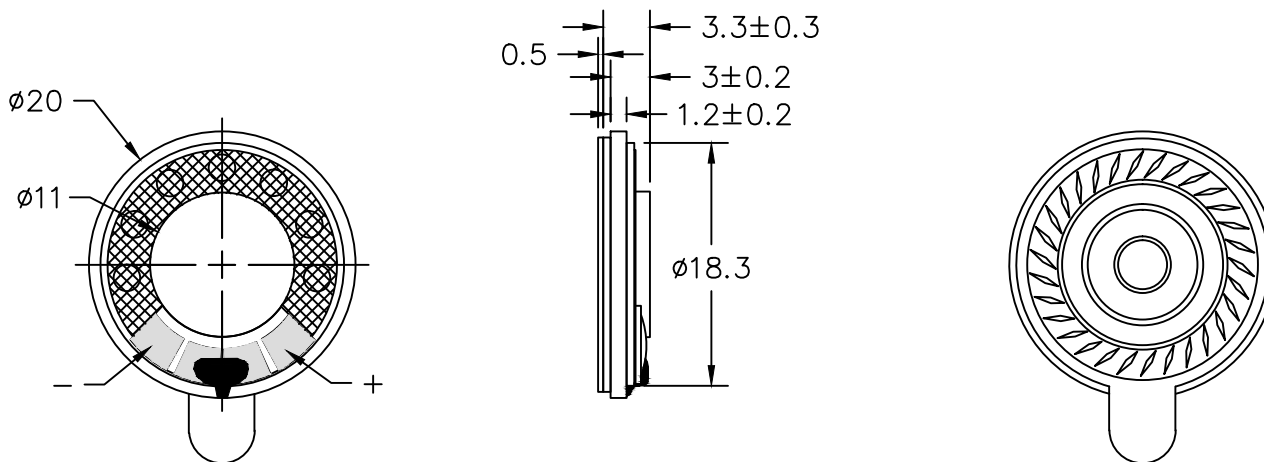


THIS DOCUMENT CONTAINS DATA PROPRIETARY TO PROJECTS UNLIMITED, INC. ANY USE OR REPRODUCTION, IN ANY FORM, WITHOUT PRIOR WRITTEN PERMISSION OF PROJECTS UNLIMITED, INC. IS PROHIBITED.
© 2005, Projects Unlimited Inc.

SPECIFICATIONS

PARAMETERS	VALUES	UNITS
RATED INPUT POWER	0.5	W
MAX INPUT POWER	0.8	W
IMPEDANCE	8±15%	OHM
OUTPUT SPL @ .1W/.1M (AT 0.8, 1.0, 1.2, 1.5 kHz)	87±3	dBA
DISTORTION (MAX.)	5%	—
RESONANT FREQUENCY	800±15%	Hz
FREQUENCY RANGE	Fo ~ 10,000	Hz
HOUSING MATERIAL	METAL	—
CONE MATERIAL	MYLAR	—
MAGNET MATERIAL	NdFeB	—
OPERATING TEMPERATURE	-40 ~ +85	°C
WEIGHT	2.4	grams


REVISIONS			
LTR	DESCRIPTION	DATE	APPROVED
—	RELEASED FROM ENGINEERING	4/23/14	



NOTES:

- ALL DIMENSIONS ARE IN MILLIMETERS.
- SPECIFICATION SUBJECT TO CHANGE OR WITHDRAWAL WITHOUT NOTICE.
- THIS PART IS RoHS 2011/65/EU COMPLIANT.

FILE NAME
AS02008MR-HT-R.DWG

UNLESS OTHERWISE SPECIFIED: DIMENSIONS ARE IN MILLIMETERS, TOLERANCES ARE ±0.5 AND ANGLES ARE ±3°.		 a projects unlimited company		3541 Stop Eight Road Dayton, Ohio 45414	
APPROVALS		DATE		SPEAKER DRAWING NO. AS02008MR-HT-R	
DRAWN	M.L.	4/14			
CHECKED	M.L.	4/14			
APPROVED		B.R.	4/14	SIZE A	SCALE: N.T.S.
				SHEET 1 OF 1	