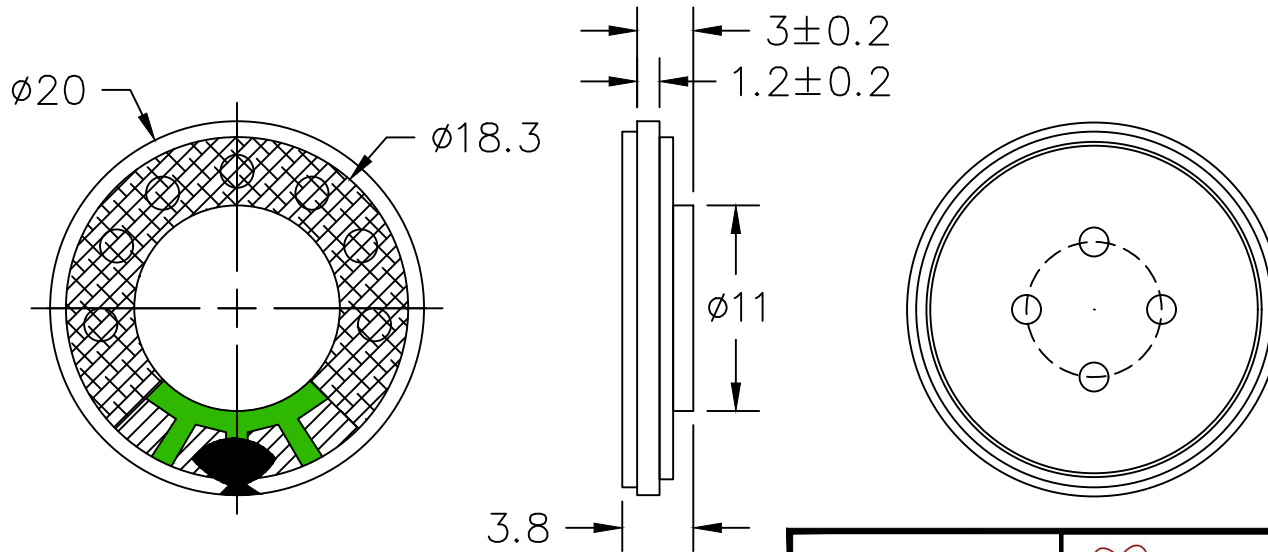


THIS DOCUMENT CONTAINS DATA PROPRIETARY TO PUI AUDIO, INC. ANY USE OR REPRODUCTION, IN ANY FORM, WITHOUT PRIOR WRITTEN PERMISSION OF PUI AUDIO, INC. IS PROHIBITED.
© 2010, PUI AUDIO Inc.

SPECIFICATIONS

PARAMETERS	VALUES	UNITS
RATED INPUT POWER	0.25	W
MAX INPUT POWER	0.5	W
IMPEDANCE	100±15%	OHM
OUTPUT SPL @ 0.1W/0.1M (AVG. 0.8, 1.0, 1.2, 1.5kHz)	90±3	dB
DISTORTION (MAX.)	5%	-
RESONANT FREQUENCY	700±20%	Hz
FREQUENCY RANGE	F _o ~ 5,000	Hz
HOUSING MATERIAL	METAL	-
CONE MATERIAL	MYLAR	-
MAGNET MATERIAL	NdFeB	-
OPERATING TEMPERATURE	-20 ~ +85	°C
WEIGHT	3	grams


REVISIONS			
LTR	DESCRIPTION	DATE	APPROVED
-	RELEASED FROM ENGINEERING	6/29/15	
A	ADD METAL COVER TO DRAWING	2/28/20	M.L.



NOTES:

1. ALL DIMENSIONS ARE IN MILLIMETERS.
2. SPECIFICATION SUBJECT TO CHANGE OR WITHDRAWAL WITHOUT NOTICE.
3. THIS PART IS RoHS 2015/863/EU COMPLIANT.

FILE NAME
AS020100MR-R.DWG

<small>UNLESS OTHERWISE SPECIFIED: ALL PURCHASES ARE SUBJECT TO THE PUI AUDIO TERMS AND CONDITIONS SALE FOUND AT http://www.puiaudio.com/pdf/terms_conditions.pdf (paper copy available upon request). DIMENSIONS ARE IN MILLIMETERS. TOLERANCES ARE ±0.5 AND ANGLES ARE ±3°.</small>			3541 Stop Eight Road Dayton, Ohio 45414
SPEAKER			
APPROVALS	DATE	DRAWING NO. AS020100MR-R	SCALE: N.T.S.
DRAWN	M.L. 6/15		
CHECKED	M.L. 6/15		
APPROVED	B.R. 6/15	SIZE A	SHEET 1 OF 1