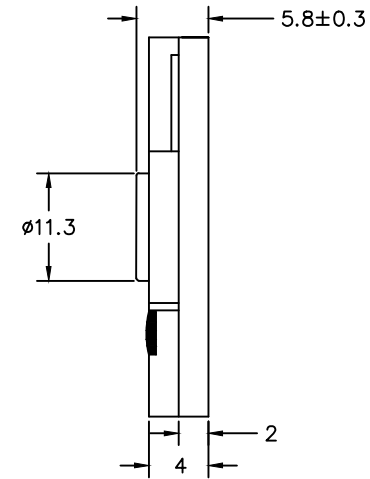
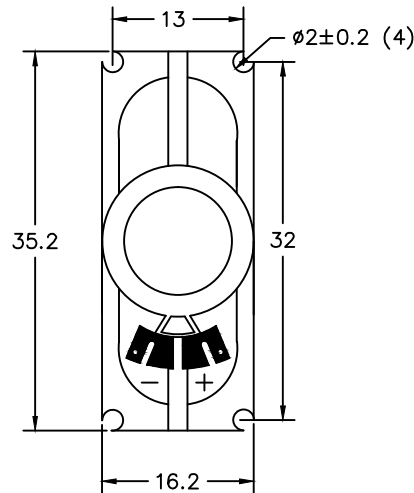


THIS DOCUMENT CONTAINS DATA PROPRIETARY TO PROJECTS UNLIMITED, INC. ANY USE OR REPRODUCTION, IN ANY FORM, WITHOUT PRIOR WRITTEN PERMISSION OF PROJECTS UNLIMITED, INC. IS PROHIBITED.
© 2005, Projects Unlimited Inc.

SPECIFICATIONS

| PARAMETERS | VALUES | UNITS |
|---|------------------------|-------|
| RATED INPUT POWER | 1.0 | W |
| MAX INPUT POWER | 2.0 | W |
| IMPEDANCE | 4±15% | OHM |
| OUTPUT SPL @ 1W/0.5M (AT 0.6, 0.8, 1.0, 1.2 kHz) | 83±3 | dBA |
| DISTORTION (MAX.) | 10% | — |
| RESONANT FREQUENCY | 600±20% | Hz |
| FREQUENCY RANGE | F _o ~ 20000 | Hz |
| HOUSING MATERIAL | PBT | — |
| CONE MATERIAL | CLOTH | — |
| MAGNET MATERIAL | NdFeB | — |
| OPERATING TEMPERATURE | -20 ~ +60 | °C |
| WEIGHT | 7.5 | grams |


| REVISIONS | | | |
|-----------|---------------------------|--------|----------|
| LTR | DESCRIPTION | DATE | APPROVED |
| — | RELEASED FROM ENGINEERING | 3/4/14 | |



NOTES:

- ALL DIMENSIONS ARE IN MILLIMETERS.
- SPECIFICATION SUBJECT TO CHANGE OR WITHDRAWAL WITHOUT NOTICE.
- THIS PART IS RoHS 2011/65/EU COMPLIANT.

FILE NAME
AS03504CO-2-R.DWG

| | | | | | |
|---|-----------|---|---------------|--|--|
| UNLESS OTHERWISE SPECIFIED: DIMENSIONS ARE IN MILLIMETERS, TOLERANCES ARE ±0.5 AND ANGLES ARE ±3°. | |  a projects unlimited company | | 3541 Stop Eight Road Dayton, Ohio 45414 | |
| APPROVALS | DATE | <h1>SPEAKER</h1> | | | |
| DRAWN | M.L. 3/14 | | | | |
| CHECKED | M.L. 3/14 | SIZE | DRAWING NO. | | |
| APPROVED | B.R. 3/14 | A | AS03504CO-2-R | | |
| | | SCALE: N.T.S. | SHEET 1 OF 1 | | |