

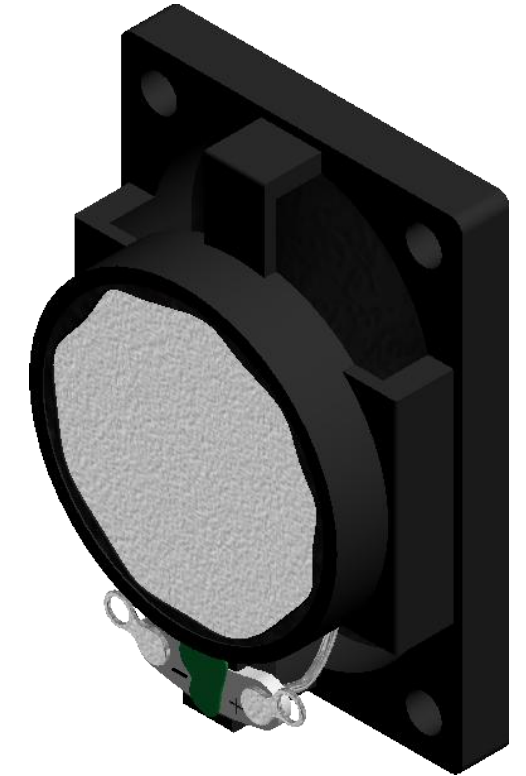
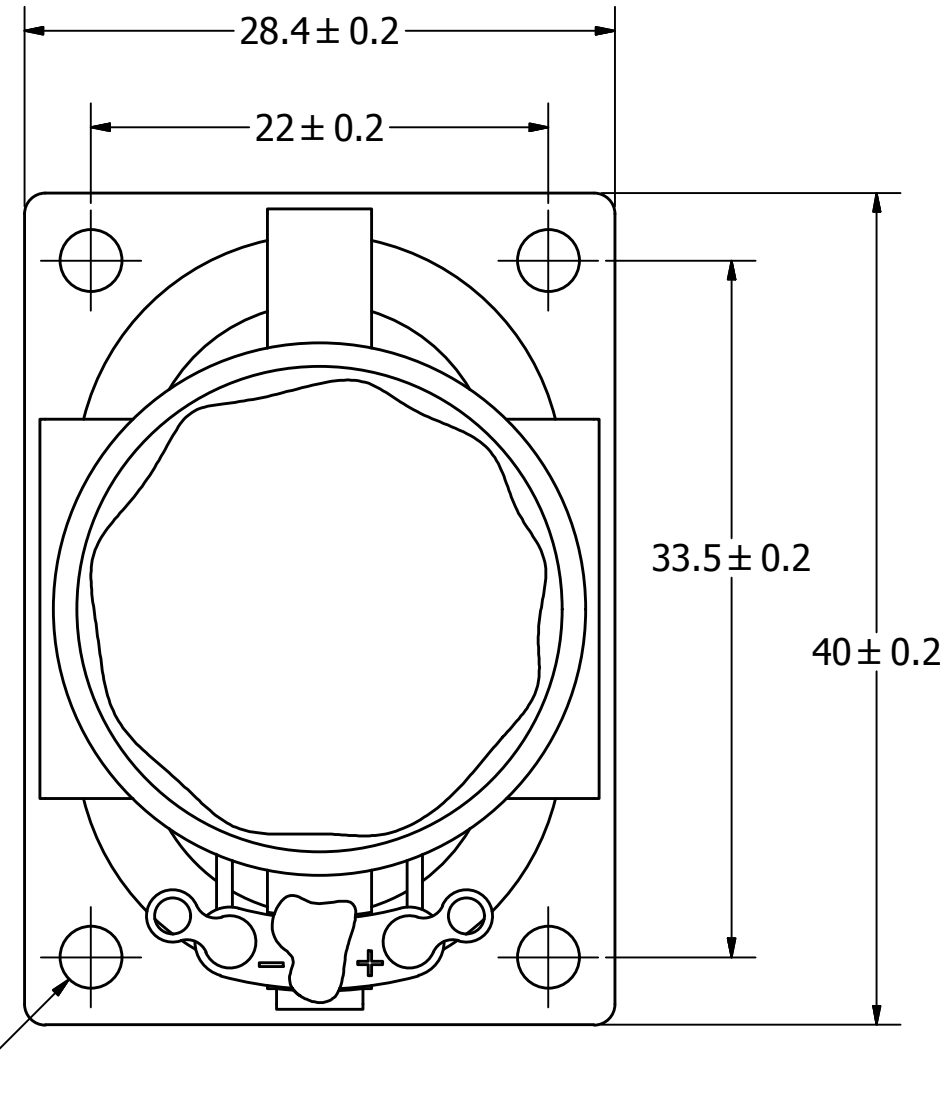
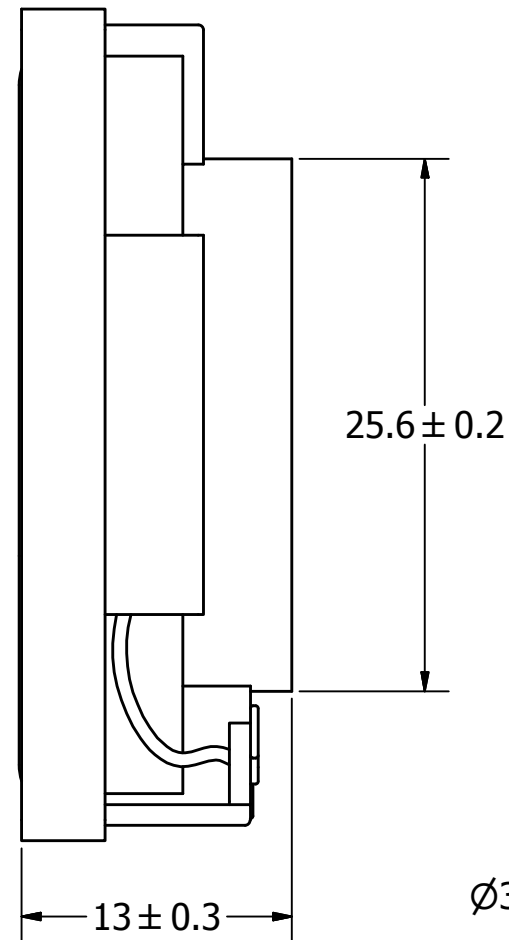
# SPECIFICATIONS

PARAMETERS	VALUES	UNITS
RATED INPUT POWER	2	W
MAX INPUT POWER	4	W
IMPEDANCE	4 ± 15%	OHM
OUTPUT SPL @ 1W/0.5M (AT 0.8, 1.0, 1.2, 1.5, kHz)	86 ± 3	dB(A)
DISTORTION (MAX.)	5%	-
RESONANT FREQUENCY	370 ± 20%	Hz
FREQUENCY RANGE	Fo ~ 20,000	Hz
HOUSING MATERIAL	ABS	-
CONE MATERIAL	TREATED PAPER	-
MAGNET MATERIAL	Nd-Fe-B	-
OPERATING TEMPERATURE	-40 ~ +80	°C
WEIGHT	16.5	grams

THIS DOCUMENT CONTAINS DATA PROPRIETARY TO PROJECTS UNLIMITED, INC. ANY USE OR REPRODUCTION, IN ANY FORM, WITHOUT PRIOR WRITTEN PERMISSION OF PROJECTS UNLIMITED, INC. IS PROHIBITED.  
©2003, Projects Unlimited Inc.

# REVISION HISTORY

LTR	DESCRIPTION	DATE	APPROVED
-	RELEASED FROM ENGINEERING	12/7/2005	
A	ADDED MOUNTING HOLE DIMENSION	12/18/2007	R.W.
B	REVISED MAX. INPUT POWER	7/18/2008	B.R.
C	REVISED OPERATING TEMPERATURE	10/14/2008	C.W.
D	REVISED TO INVENTOR 3-D DRAWING TEMPLATE	11/8/2008	B.R.
E	ADDED NOTE 5	8/11/2011	B.R.
F	FIX POLARITY, UPDATE ROHS STATUS AND NOTES	3/5/2015	M.L.
G	ADJUST RESONANT FREQUENCY RANGE TO READ Fo	5/3/2017	M.L.



### NOTES:

- ALL DIMENSIONS ARE IN MILLIMETERS.
- SPECIFICATIONS SUBJECT TO CHANGE OR WITHDRAWAL WITHOUT NOTICE.
- THIS PART IS RoHS 2011/65/EU COMPLIANT.
- CONE HAS BEEN TREATED FOR WATER RESISTANCE.
- BASE SPEAKER PART# AS04004PO-R

UNLESS OTHERWISE SPECIFIED: DIMENSIONS ARE IN MILLIMETERS, TOLERANCES ARE ±0.5 AND ANGLES ARE ±3°.	SIZE <b>A3</b>	Designed by	Date	Checked by	Date	Approved by	Date	Drawn Date
		J.A.F.	12/6/2005	B.R.	12/7/2005	E.P.	12/7/2005	11/8/2008
AS04004PO-WR-R.idw				<b>AS04004PO-WR-R</b> Speaker				
				Edition		Sheet		
				-		1 / 1		