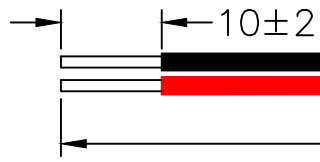


THIS DOCUMENT CONTAINS DATA PROPRIETARY TO PROJECTS UNLIMITED, INC. ANY USE OR REPRODUCTION, IN ANY FORM, WITHOUT PRIOR WRITTEN PERMISSION OF PROJECTS UNLIMITED, INC. IS PROHIBITED.
© 2005, Projects Unlimited Inc.

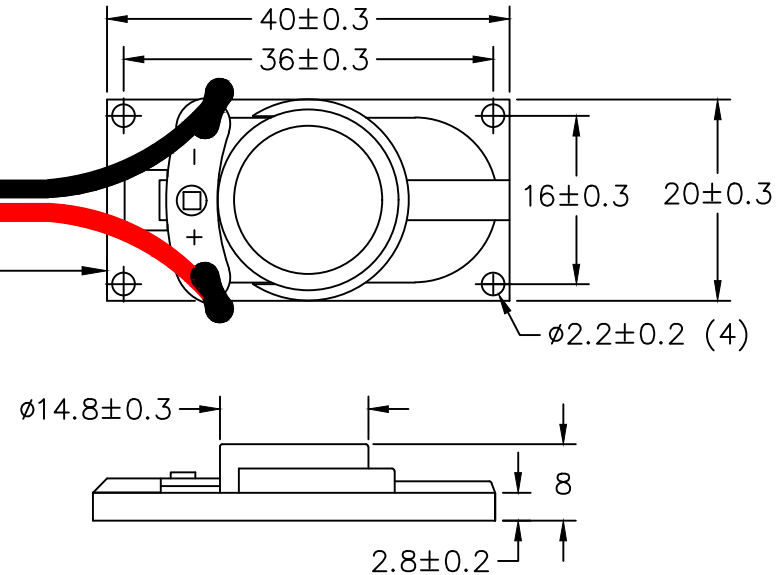
SPECIFICATIONS

PARAMETERS	VALUES	UNITS
RATED INPUT POWER	1.5	W
MAX INPUT POWER	3	W
IMPEDANCE	8±15%	OHM
OUTPUT SPL @ 1W/0.5M (AT 0.8, 1, 1.2, 1.5 kHz)	84±3	dBA
DISTORTION (MAX.)	5%	-
RESONANT FREQUENCY	550±20%	Hz
FREQUENCY RANGE	200 ~ 20,000	Hz
HOUSING MATERIAL	ABS	-
CONE MATERIAL	CLOTH	-
MAGNET MATERIAL	NdFeB	-
OPERATING TEMPERATURE	-20 ~ +60	°C
WEIGHT	7.8	grams

REVISIONS			
LTR	DESCRIPTION	DATE	APPROVED
-	RELEASED FROM ENGINEERING	9/21/15	



UL1007 AWG24




NOTES:

- ALL DIMENSIONS ARE IN MILLIMETERS.
- SPECIFICATION SUBJECT TO CHANGE OR WITHDRAWAL WITHOUT NOTICE.
- THIS PART IS RoHS 2011/65/EU COMPLIANT.

BASE SPEAKER
AS04008CO-2-R

FILE NAME
AS04008CO-2-LW100-R.DWG

UNLESS OTHERWISE SPECIFIED: ALL PURCHASES ARE SUBJECT TO THE PUI AUDIO TERMS AND CONDITIONS SALE FOUND AT http://www.puiaudio.com/pdf/terms_conditions.pdf (paper copy available upon receipt). DIMENSIONS ARE IN MILLIMETERS, TOLERANCES ARE ±0.5 AND ANGLES ARE ±3°.		 <p>pui audio A Division of Projects Unlimited</p>	6300 Sand Lake Road Dayton, Ohio 45414								
<table border="1"> <thead> <tr> <th>APPROVALS</th> <th>DATE</th> </tr> </thead> <tbody> <tr> <td>DRAWN <i>M.L.</i></td> <td>9/15</td> </tr> <tr> <td>CHECKED <i>M.L.</i></td> <td>9/15</td> </tr> <tr> <td>APPROVED <i>B.R.</i></td> <td>9/15</td> </tr> </tbody> </table>				APPROVALS	DATE	DRAWN <i>M.L.</i>	9/15	CHECKED <i>M.L.</i>	9/15	APPROVED <i>B.R.</i>	9/15
APPROVALS	DATE										
DRAWN <i>M.L.</i>	9/15										
CHECKED <i>M.L.</i>	9/15										
APPROVED <i>B.R.</i>	9/15										
DRAWING NO. AS04008CO-2-LW100-R		SCALE: N.T.S.	SHEET 1 OF 1								