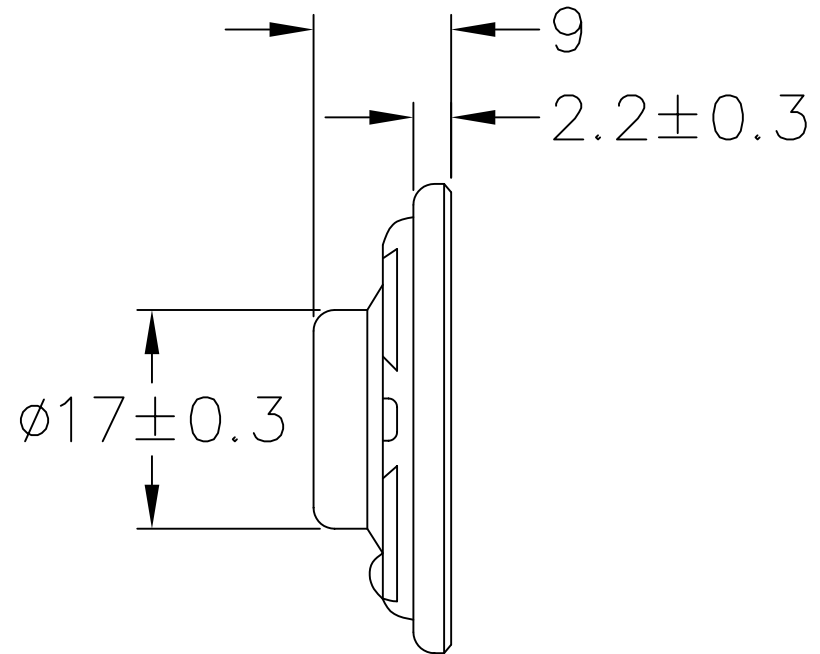
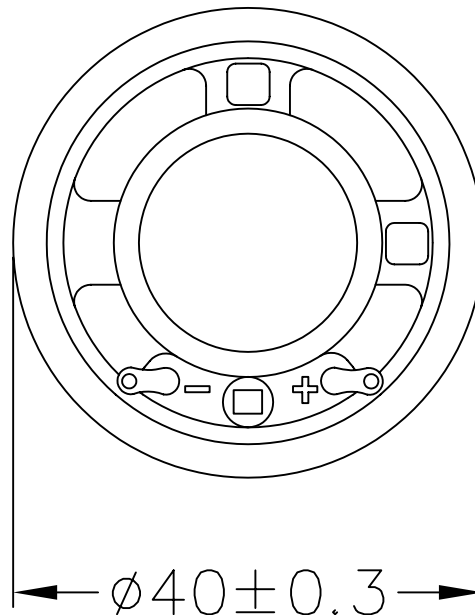


THIS DOCUMENT CONTAINS DATA PROPRIETARY TO PROJECTS UNLIMITED, INC. ANY USE OR REPRODUCTION, IN ANY FORM, WITHOUT PRIOR WRITTEN PERMISSION OF PROJECTS UNLIMITED, INC. IS PROHIBITED.  
© 2005, Projects Unlimited Inc.

### SPECIFICATIONS

PARAMETERS	VALUES	UNITS
RATED INPUT POWER	0.1	W
MAX INPUT POWER	0.2	W
IMPEDANCE	8±15%	OHM
OUTPUT SPL @ 1W/1M (AT 1.0, 1.2, 1.5, 2.0 kHz)	82±3	dBA
DISTORTION (MAX.)	5%	-
RESONANT FREQUENCY	800±20%	Hz
FREQUENCY RANGE	800 ~ 6000	Hz
HOUSING MATERIAL	METAL	-
CONE MATERIAL	MYLAR	-
MAGNET MATERIAL	Nd-Fe-B	-
OPERATING TEMPERATURE	-10 ~ +50	°C
WEIGHT	11	grams


REVISIONS			
LTR	DESCRIPTION	DATE	APPROVED
-	RELEASED FROM ENGINEERING	8/24/06	



**NOTES:**

- ALL DIMENSIONS ARE IN MILLIMETERS.
- SPECIFICATION SUBJECT TO CHANGE OR WITHDRAWAL WITHOUT NOTICE.
- THIS PART IS RoHS 2002/95/EC COMPLIANT.

FILE NAME  
AS04008MR-5-R.DWG

UNLESS OTHERWISE SPECIFIED: DIMENSIONS ARE IN MILLIMETERS, TOLERANCES ARE ±0.5 AND ANGLES ARE ±3°.		 <b>projects® unlimited</b> Dayton, Ohio									
<table border="1"> <thead> <tr> <th>APPROVALS</th> <th>DATE</th> </tr> </thead> <tbody> <tr> <td>DRAWN <i>J.D.</i></td> <td>8/06</td> </tr> <tr> <td>CHECKED <i>R.W.</i></td> <td>8/06</td> </tr> <tr> <td>APPROVED <i>B.R.</i></td> <td>8/06</td> </tr> </tbody> </table>		APPROVALS	DATE	DRAWN <i>J.D.</i>	8/06	CHECKED <i>R.W.</i>	8/06	APPROVED <i>B.R.</i>	8/06	<h1>SPEAKER</h1>	
APPROVALS	DATE										
DRAWN <i>J.D.</i>	8/06										
CHECKED <i>R.W.</i>	8/06										
APPROVED <i>B.R.</i>	8/06										
SIZE A	DRAWING NO. AS04008MR-5-R										
DO NOT SCALE DRAWING		SCALE: N.T.S.	SHEET 1 OF 1								