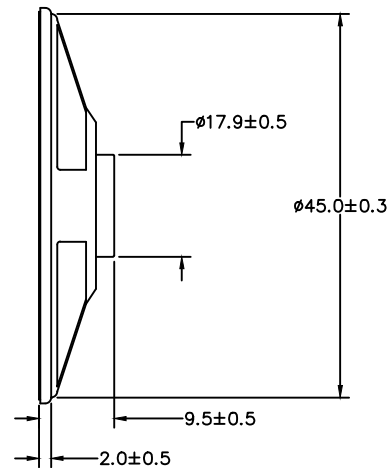
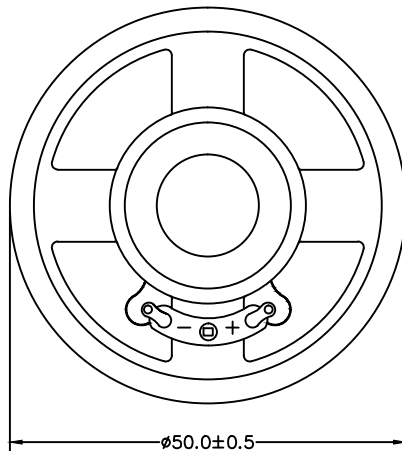


THIS DOCUMENT CONTAINS DATA PROPRIETARY TO PROJECTS UNLIMITED, INC. ANY USE OR REPRODUCTION, IN ANY FORM, WITHOUT PRIOR WRITTEN PERMISSION OF PROJECTS UNLIMITED, INC. IS PROHIBITED.
© 2005, Projects Unlimited Inc.

SPECIFICATIONS

PARAMETERS	VALUES	UNITS
RATED INPUT POWER	0.1	W
MAX INPUT POWER	0.2	W
IMPEDANCE	16±15%	OHM
OUTPUT SPL @ 0.1W/0.1M (AT 0.8, 1.0, 1.2, 1.5 kHz)	88±3	dB
DISTORTION (MAX.)	10%	—
RESONANT FREQUENCY	500±20%	Hz
FREQUENCY RANGE	Fo ~ 4,500	Hz
HOUSING MATERIAL	METAL	—
CONE MATERIAL	PAPER	—
MAGNET MATERIAL	Nd-Fe-B	—
OPERATING TEMPERATURE	-20 ~ +60	°C
WEIGHT	15	grams



NOTES:

- ALL DIMENSIONS ARE IN MILLIMETERS.
- SPECIFICATION SUBJECT TO CHANGE OR WITHDRAWAL WITHOUT NOTICE.
- THIS PART IS RoHS 2011/65/EU COMPLIANT.

FILE NAME
AS05016PR-4-R.DWG

REVISIONS

LTR	DESCRIPTION	DATE	APPROVED
-	RELEASED FROM ENGINEERING	9/29/14	

UNLESS OTHERWISE SPECIFIED:
ALL PURCHASES ARE SUBJECT TO THE PUI AUDIO TERMS AND CONDITIONS SALE FOUND AT http://www.puiaudio.com/pdf/terms_conditions.pdf (paper copy available upon request).
DIMENSIONS ARE IN MILLIMETERS, TOLERANCES ARE ±0.5 AND ANGLES ARE ±3°.



3541 Stop Eight Road
Dayton, Ohio 45414

APPROVALS		DATE	SPEAKER	
DRAWN	M.L.	9/14	SIZE	DRAWING NO.
CHECKED	M.L.	9/14	A	AS05016PR-4-R
APPROVED	B.R.	9/14	SCALE: N.T.S.	SHEET 1 OF 1