

THIS DOCUMENT CONTAINS DATA PROPRIETARY TO PROJECTS UNLIMITED, INC. ANY USE OR REPRODUCTION, IN ANY FORM, WITHOUT PRIOR WRITTEN PERMISSION OF PROJECTS UNLIMITED, INC. IS PROHIBITED.  
© 2005, Projects Unlimited Inc.

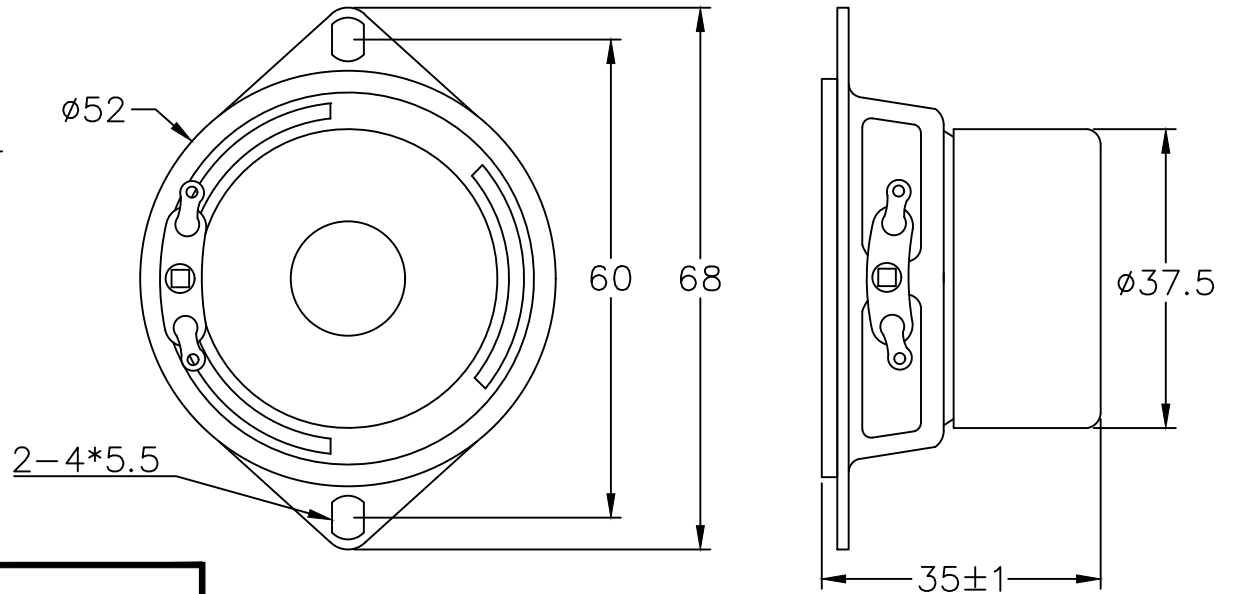
## SPECIFICATIONS

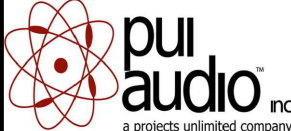
PARAMETERS	VALUES	UNITS
RATED INPUT POWER	10	W
MAX INPUT POWER	12	W
IMPEDANCE	8±15%	OHM
OUTPUT SPL @ 1W/1M (AVG. 0.6, 0.8, 1.0, 1.2kHz)	77±3	dB
DISTORTION (MAX.)	5%	-
RESONANT FREQUENCY	200±20%	Hz
FREQUENCY RANGE	F <sub>o</sub> ~ 20,000	Hz
HOUSING MATERIAL	METAL	-
CONE MATERIAL	PAPER	-
MAGNET MATERIAL	RARE EARTH	-
OPERATING TEMPERATURE	-20 ~ +60	°C
WEIGHT	85	grams

REVISIONS			
LTR	DESCRIPTION	DATE	APPROVED
-	RELEASED FROM ENGINEERING	3/21/18	

### NOTES:

- ALL DIMENSIONS ARE IN MILLIMETERS.
- SPECIFICATION SUBJECT TO CHANGE OR WITHDRAWAL WITHOUT NOTICE.
- THIS PART IS RoHS 2011/65/EU COMPLIANT.



<small>UNLESS OTHERWISE SPECIFIED: ALL PURCHASES ARE SUBJECT TO THE PUI AUDIO TERMS AND CONDITIONS SALE FOUND AT <a href="http://www.puiaudio.com/pdf/terms_conditions.pdf">http://www.puiaudio.com/pdf/terms_conditions.pdf</a> (paper copy available upon request). DIMENSIONS ARE IN MILLIMETERS, TOLERANCES ARE ±0.5 AND ANGLES ARE ±3°.</small>		 <p><b>pui audio</b><sup>™</sup> inc a projects unlimited company</p>	<p>3541 Stop Eight Road Dayton, Ohio 45414</p>								
<p>APPROVALS</p> <table border="1"> <tr> <th>APPROVALS</th> <th>DATE</th> </tr> <tr> <td>DRAWN M.L.</td> <td>8/16</td> </tr> <tr> <td>CHECKED M.L.</td> <td>8/16</td> </tr> <tr> <td>APPROVED B.R.</td> <td>8/16</td> </tr> </table>				APPROVALS	DATE	DRAWN M.L.	8/16	CHECKED M.L.	8/16	APPROVED B.R.	8/16
APPROVALS	DATE										
DRAWN M.L.	8/16										
CHECKED M.L.	8/16										
APPROVED B.R.	8/16										
		<p>FILE NAME AS05208PR-4-R.DWG</p>									