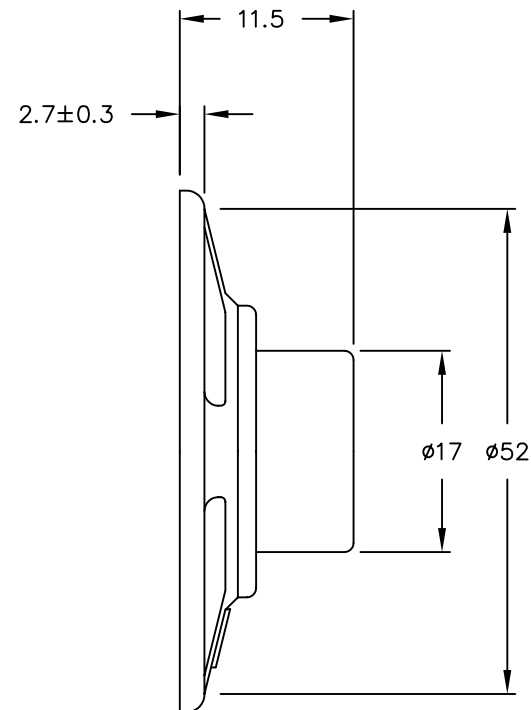
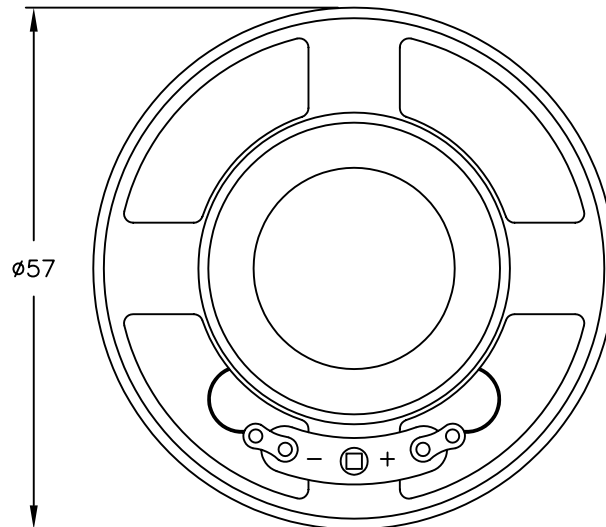


THIS DOCUMENT CONTAINS DATA PROPRIETARY TO PROJECTS UNLIMITED, INC. ANY USE OR REPRODUCTION, IN ANY FORM, WITHOUT PRIOR WRITTEN PERMISSION OF PROJECTS UNLIMITED, INC. IS PROHIBITED.  
© 2005, Projects Unlimited Inc.

### SPECIFICATIONS

PARAMETERS	VALUES	UNITS
RATED INPUT POWER	0.25	W
MAX INPUT POWER	0.5	W
IMPEDANCE	8±15%	OHM
OUTPUT SPL @ 1W/0.5M (AT 0.8, 1.0, 1.2, 1.5 kHz)	86±2	dBA
DISTORTION (MAX.)	5%	-
RESONANT FREQUENCY	450±20%	Hz
FREQUENCY RANGE	450 ~ 4000	Hz
HOUSING MATERIAL	METAL	-
CONE MATERIAL	PAPER	-
MAGNET MATERIAL	NdFeB	-
OPERATING TEMPERATURE	-20 ~ +50	°C
WEIGHT	15	grams

REVISIONS			
LTR	DESCRIPTION	DATE	APPROVED
-	RELEASED FROM ENGINEERING	6/6/06	



**NOTES:**

- ALL DIMENSIONS ARE IN MILLIMETERS.
- SPECIFICATION SUBJECT TO CHANGE OR WITHDRAWAL WITHOUT NOTICE.
- THIS PART IS RoHS 2002/95/EC COMPLIANT.

FILE NAME  
AS05708PR-5-R.DWG

UNLESS OTHERWISE SPECIFIED:  
DIMENSIONS ARE IN MILLIMETERS, TOLERANCES ARE ±0.5 AND ANGLES ARE ±3°.

APPROVALS	DATE
DRAWN <i>J.D.</i>	6/06
CHECKED <i>E.P.</i>	6/06
APPROVED <i>B.R.</i>	6/06



projects®  
unlimited

Dayton, Ohio

## SPEAKER

SIZE  
A

DRAWING NO.  
AS05708PR-5-R

DO NOT SCALE DRAWING

SCALE: N.T.S.

SHEET 1 OF 1