

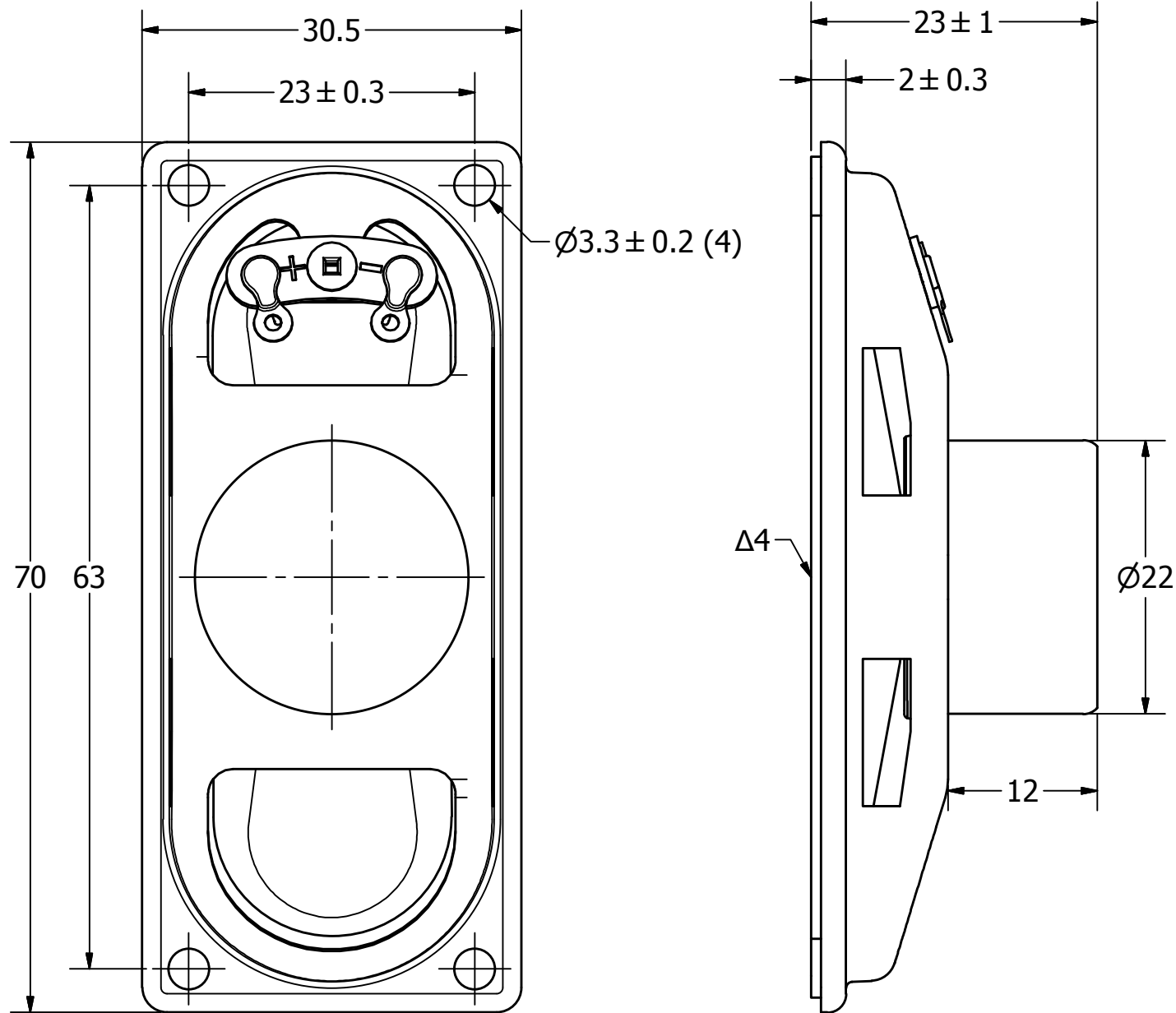
# SPECIFICATIONS

| PARAMETERS  | VALUES        | UNITS |
|---|---------------|-------|
| RATED INPUT POWER                                   | 2             | W     |
| MAX INPUT POWER                                     | 5             | W     |
| IMPEDANCE   | 4 ± 15%       | OHM   |
| OUTPUT SPL @ 1W/0.5M<br>(AT 0.6, 0.8, 1.0, 1.2 kHz) | 86 ± 3        | dB(A) |
| DISTORTION (MAX.)                                   | 5%            | -     |
| RESONANT FREQUENCY                                  | 300 ± 70      | Hz    |
| FREQUENCY RANGE                                     | 100 ~ 20,000  | Hz    |
| HOUSING MATERIAL                                    | METAL         | -     |
| CONE MATERIAL                                       | TREATED PAPER | -     |
| MAGNET MATERIAL                                     | Nd-Fe-B       | -     |
| OPERATING TEMPERATURE                               | -20 ~ +60     | °C    |
| WEIGHT  | 35            | grams |

THIS DOCUMENT CONTAINS DATA PROPRIETARY TO PROJECTS UNLIMITED, INC. ANY USE OR REPRODUCTION, IN ANY FORM, WITHOUT PRIOR WRITTEN PERMISSION OF PROJECTS UNLIMITED, INC. IS PROHIBITED.  
©2003, Projects Unlimited Inc.

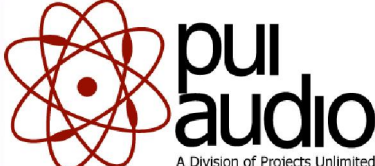
# REVISION HISTORY

| LTR | DESCRIPTION                              | DATE      | APPROVED |
|-----|--|-----------|----------|
| -   | RELEASED FROM ENGINEERING                | 4/12/2008 |          |
| A   | REVISED TO INVENTOR 3-D DRAWING TEMPLATE | 6/24/2008 | B.R.     |
| B   | ADDED NOTE 5                             | 8/12/2011 | B.R.     |
| C   | REVISED FLANGE HEIGHT DIMENSION          | 8/16/2011 | C.W.     |
| D   | REVISED SPL TEST PARAMETERS              | 3/12/15   | M.L.     |



## NOTES:

1. ALL DIMENSIONS ARE IN MILLIMETERS.
2. SPECIFICATIONS SUBJECT TO CHANGE OR WITHDRAWL WITHOUT NOTICE.
3. THIS PART IS RoHS 2011/65/EU COMPLIANT.
- Δ4. CONE HAS BEEN TREATED FOR WATER RESISTANCE.
5. BASE SPEAKER PUI# AS07004PO-R.

|  |                   |   |           |                                  |           |             |           |            |       |
|--|-------------------|---|-----------|----------------------------------|-----------|-------------|-----------|------------|-------|
| UNLESS OTHERWISE SPECIFIED:<br>DIMENSIONS ARE IN MILLIMETERS,<br>TOLERANCES ARE ±0.5 AND ANGLES ARE ±3°. | SIZE<br><b>A3</b> | Designed by   | Date      | Checked by                       | Date      | Approved by | Date      | Drawn Date |       |
|  |                   | B.R.  | 4/11/2008 | B.R.                             | 4/11/2008 | E.P.        | 4/11/2008 | 6/24/2008  |       |
| AS07004PO-WR-R.idw   |                   |  |           | <b>AS07004PO-WR-R</b><br>Speaker |           |             |           | Edition    | Sheet |
|  |                   |   |           |                                  |           |             |           | -          | 1 / 1 |