

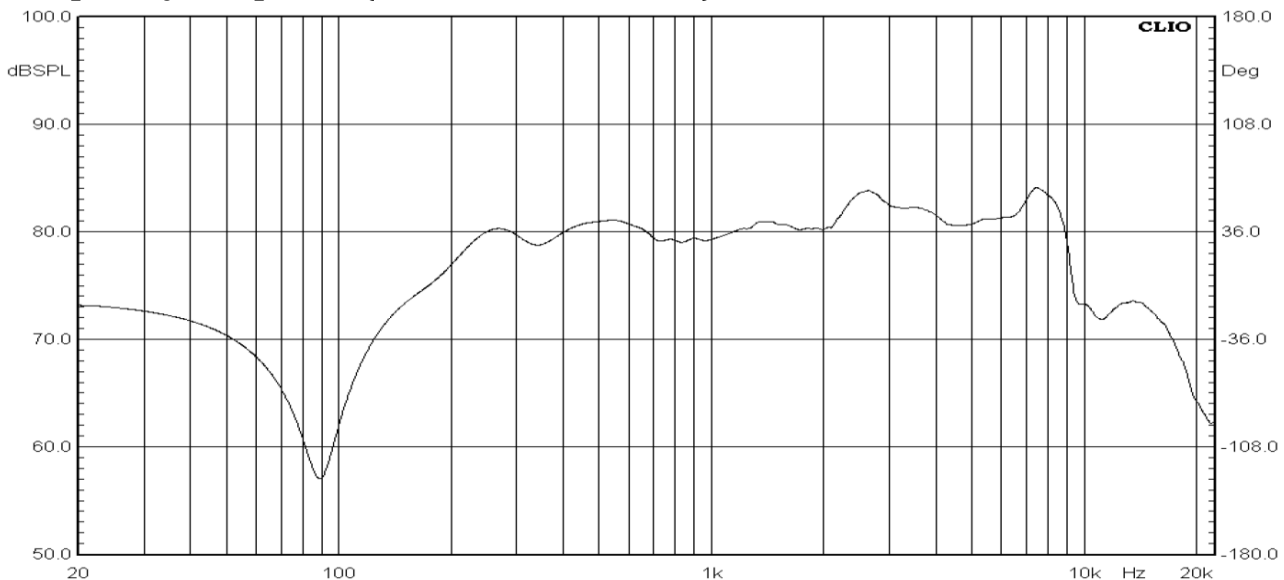


Data Sheet	AS09008PO-11-WR-R
-------------------	--------------------------

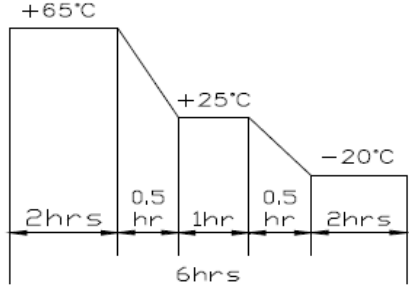
Specifications

Parameters	Values	Units
Rated Input Power	5	Watts
Max Input Power	8	Watts
Impedance	$8 \pm 15\%$	Ohms
Sensitivity (SPL @ 1W/50cm) At 0.8, 1.0, 1.2, 1.5 kHz	85 ± 3	dB
Resonant Frequency	$180 \pm 20\%$	Hz
Frequency Range	$F_0 \sim 10,000$	Hz
Frame Material	Steel	-
Magnet Material	Ferrite	-
Weight	98	Grams
Buzz, Rattle, etc.	Must be normal at sine wave F_0 - 20kHz, 6.32	-
Polarity	Cone will move forward with positive+ current to positive terminal	-
Storage Temperature	-20 ~ +65	°C
Operating Temperature	-20 ~ +65	°C

Frequency Response (measured with 2.83V @ 50cm)

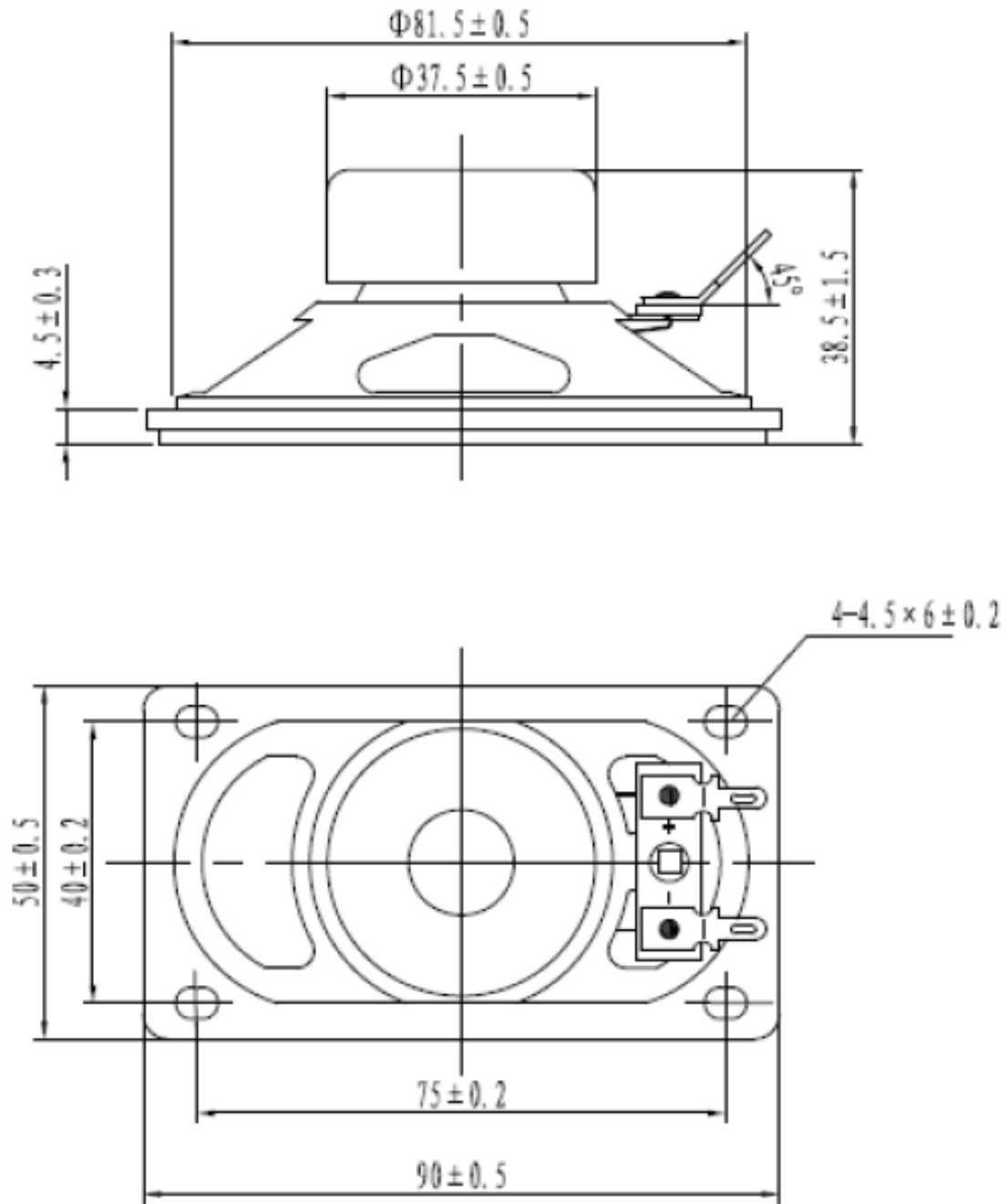


Reliability Testing

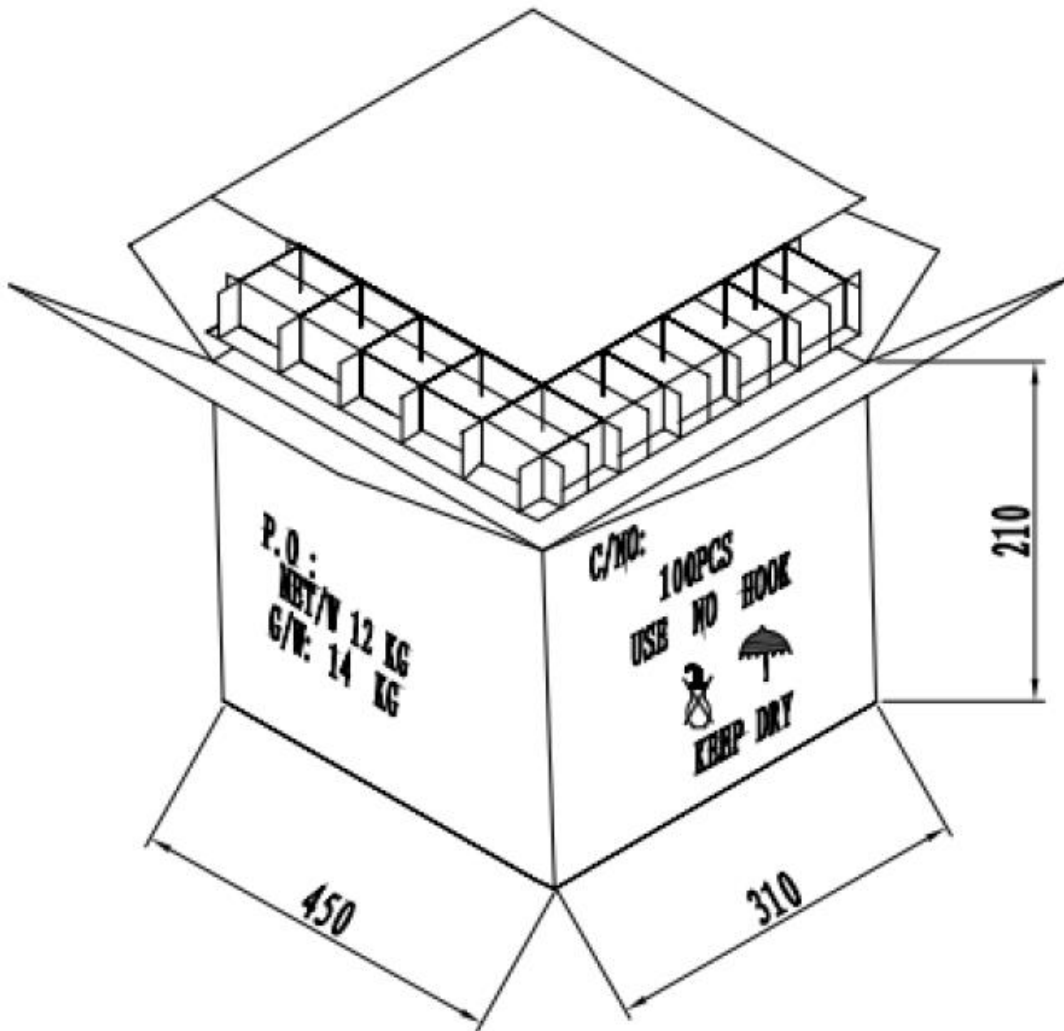
Type of Test	Test Specifications
High Temperature Test	96 hours at +65°C ± 3°C followed by three hours in normal room temperature
Low Temperature Test	96 hours at -20°C ± 3°C followed by three hours in normal room temperature
Humidity Test	96 hours at +40°C ± 3°C with relative humidity at 90% followed by 6 hours in normal room temperature
Temperature Cycle Testing	<p>The part shall be subjected to 5 cycles using the following procedure:</p>  <p>The diagram illustrates a temperature cycle testing profile. It starts at +65°C for a duration of 2 hours. This is followed by a 0.5-hour ramp down to +25°C. At +25°C, the part is held for 1 hour. Another 0.5-hour ramp down leads to -20°C, where the part is held for 2 hours. The total duration of this cycle is 6 hours.</p>
Vibration Test	Frequency 30 ± 15Hz, Amplitude 1.5mm for 3hr
Drop Test	100cm free fall onto concrete, x2
Load Test	Rated power for 96hrs

After each test, the speaker's SPL shall be ±3 dB of the original SPL

Dimensions



Packaging



units: cm

Remark:

40pcs per tray

2 trays for unit, 1 unit per carton

Total:100 pcs per box

Size:45*31*21cm

Specifications Revisions