

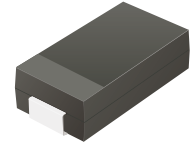
## AS1D-HF Thru. AS1M-HF

Reverse Voltage: 200 to 1000 Volts

Forward Current: 1.0 Amp

RoHS Device

Halogen Free

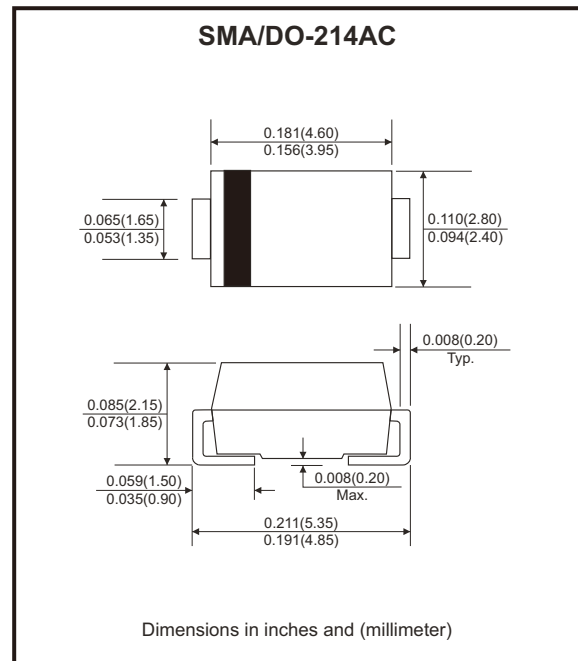


### Features

- For surface mounted applications.
- Ideal for automated placement.
- Low forward voltage drop.
- High surge current capability.
- AEC-Q101 Qualified

### Mechanical data

- Case: SMA/DO-214AC, molded plastic.
- Epoxy: UL 94V-0 rate flame retardant.
- Terminals: Solderable per MIL-STD-202, method 208.
- Polarity: Color band denotes cathode end.



### Circuit Diagram



### Maximum Ratings (T<sub>A</sub>=25°C unless otherwise noted)

Parameter	Symbol	AS1D-HF	AS1G-HF	AS1J-HF	AS1K-HF	AS1M-HF	Unit
Peak repetitive reverse voltage	V <sub>RRM</sub>	200	400	600	800	1000	V
RMS reverse voltage	V <sub>RMS</sub>	140	280	420	560	700	V
DC blocking voltage	V <sub>DC</sub>	200	400	600	800	1000	V
Max. average forward output current	I <sub>F(AV)</sub>	1					A
Peak forward surge current, 8.3ms single half-sine-wave @T <sub>J</sub> =25°C	I <sub>FSM</sub>	30					A
Typical thermal resistance (Note 1)	R <sub>θJA</sub> R <sub>θJC</sub> R <sub>θJL</sub>	70 25 30					°C/W
Operating junction temperature range	T <sub>J</sub>	-55 to +150					°C
Storage temperature range	T <sub>STG</sub>	-55 to +150					°C

Notes: 1. Device mounted on PCB with 10mm x 20mm x 0.1mm copper pad areas.

## Electrical Characteristics (T<sub>A</sub>=25°C unless otherwise noted)

Parameter	Symbol	Test conditions	Typ	Max	Unit
Maximum instantaneous forward voltage	V <sub>F</sub>	I <sub>F</sub> = 1.0A		1.1	V
Maximum reverse current	I <sub>R</sub>	Rated V <sub>R</sub>	@T <sub>A</sub> =25°C	5	μA
			@T <sub>A</sub> =125°C	50	

## Rating and Characteristic Curves (AS1D-HF Thru. AS1M-HF)

Fig.1 - Forward Current Derating Curve

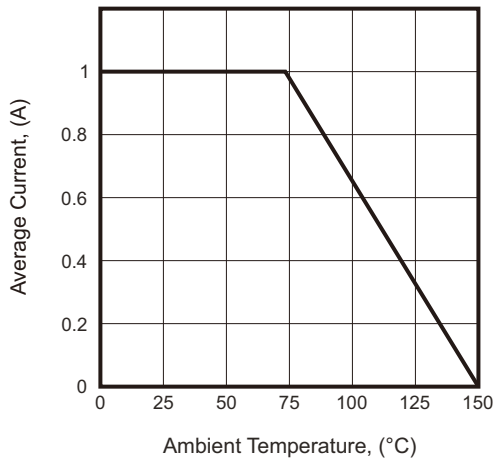


Fig.2 - Surge Current Derating Curve

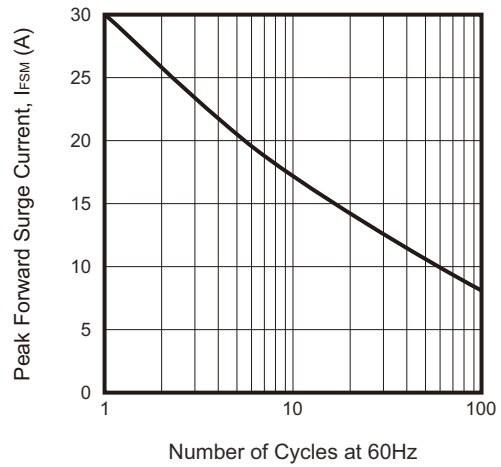


Fig.3 - Typical Forward Characteristics

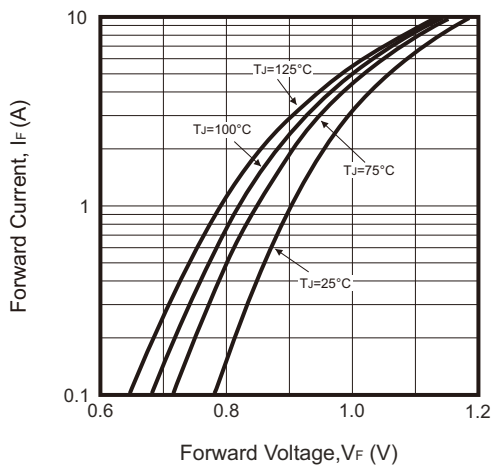
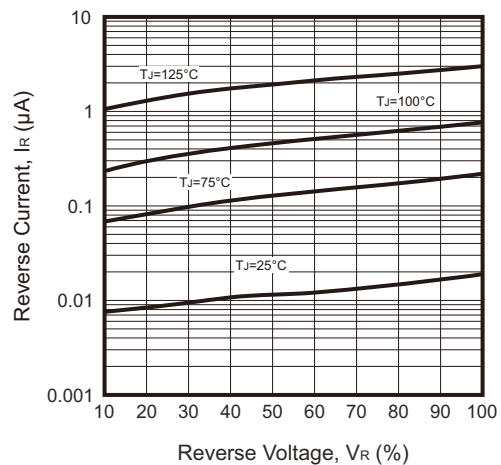
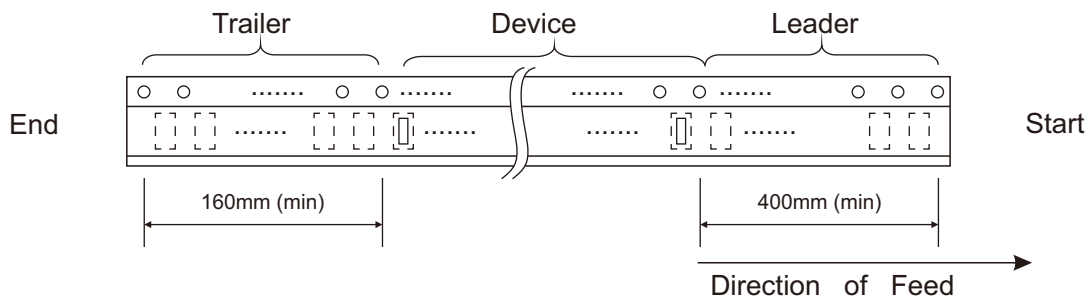
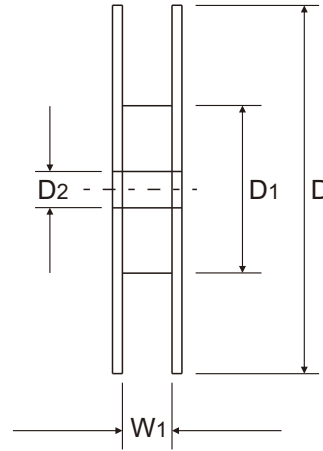
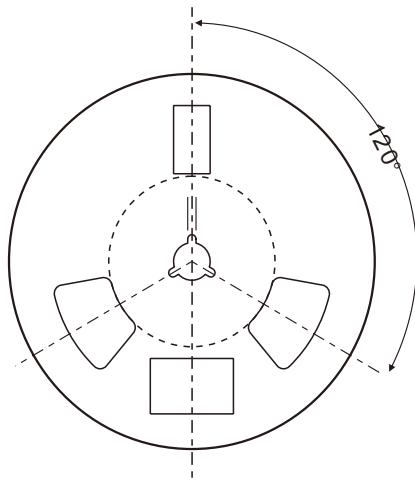


Fig.4 - Typical Reverse Characteristic



## Reel Taping Specification



DO-214AC (SMA)	SYMBOL	A	B	C	d	D	D1	D2
	(mm)	2.72 ± 0.10	5.27 ± 0.10	2.27 ± 0.10	1.55 ± 0.10	330 ± 1.00	75.00 ± 1.00	13.50 ± 0.50
	(inch)	0.107 ± 0.004	0.207 ± 0.004	0.089 ± 0.004	0.061 ± 0.004	12.992 ± 0.039	2.953 ± 0.039	0.531 ± 0.020

DO-214AC (SMA)	SYMBOL	E	F	P	P0	P1	T	W	W1
	(mm)	1.75 ± 0.10	5.50 ± 0.05	4.00 ± 0.10	4.00 ± 0.10	2.00 ± 0.10	0.25 ± 0.05	12.00 ± 0.10	13.50 ± 1.00
	(inch)	0.069 ± 0.004	0.217 ± 0.002	0.157 ± 0.004	0.157 ± 0.004	0.079 ± 0.004	0.010 ± 0.002	0.472 ± 0.004	0.531 ± 0.039

Company reserves the right to improve product design, functions and reliability without notice.

REV:A