

# Parallel Persistent SRAM Memory

(AS3001316, AS3004316, AS3008316, AS3016316, AS3032316)

## Features

- Interface
  - Parallel Asynchronous x16
- Technology
  - 40nm pMTJ STT-MRAM
  - Virtually unlimited Endurance and Data Retention (see Endurance and Data Retention on page 24)
- Density
  - 1Mb, 4Mb, 8Mb, 16Mb, 32Mb
- Operating Voltage Range
  - $V_{CC}$ : 2.70V – 3.60V
- Operating Temperature Range
  - Industrial: -40°C to 85°C
  - Industrial Plus: -40°C to 105°C
- RoHS & REACH Compliant
- Packages
  - 44-pin TSOP (10mm x 18mm)
  - 54-pin TSOP (10mm x 22mm)
  - 48-ball FBGA (10mm x 10mm)
- Memory Array Organization
  - 1Mbit
    - 65,536 x 16
  - 4Mbit
    - 262,144 x 16
  - 8Mbit
    - 524,288 x 16
  - 16Mbit
    - 1,048,576 x 16
  - 32Mbit
    - 2,097,152 x 16

## Performance

Device Operation	Typical Values	Units
Read Cycle Time	35.0 (minimum)	ns
Write Cycle Time	35.0 (minimum)	ns
Standby Current	1.7 (typical)*	mA
Read Current	12.0 (typical)	mA
Write Current	20.0 (typical)	mA

\*Number shown is for 16Mb device

## Table of Contents

<b>Features</b> .....	1
<b>Performance</b> .....	1
<b>Table of Contents</b> .....	2
<b>General Description</b> .....	3
<b>Ordering Options</b> .....	4
<b>Valid Combinations — Standard</b> .....	5
<b>Signal Description and Assignment</b> .....	8
<b>Package Options</b> .....	9
<b>44-Pin TSOP (Top View)</b> .....	9
<b>54-Pin TSOP (Top View)</b> .....	9
<b>48-Ball FBGA (Balls Down, Top View)</b> .....	10
<b>Package Drawings</b> .....	11
<b>44-Pin TSOP</b> .....	11
<b>54-Pin TSOP</b> .....	12
<b>48-Ball FBGA</b> .....	13
<b>Architecture</b> .....	14
<b>Device Initialization</b> .....	15
<b>Electrical Specifications</b> .....	17
<b>Write Operation</b> .....	20
<b>Bus Turnaround Operation – Read to Write</b> .....	22
<b>Read Operation</b> .....	23
<b>Endurance and Data Retention</b> .....	24
<b>Thermal Resistance</b> .....	25
<b>Product Use Limitations</b> .....	26
<b>Limited Warranty</b> .....	26

## General Description

AS3xxx316 is a magneto-resistive random-access memory (MRAM). It is offered in density ranging from 1Mbit to 32Mbit. MRAM technology is analogous to Flash technology with SRAM compatible 35ns/35ns and 45ns/45ns read/write timings (Persistent SRAM, P-SRAM). Data is always non-volatile. This makes MRAM a very reliable and fast non-volatile memory solution.

**Table 1: Technology Comparison**

	SRAM	Flash	EEPROM	MRAM
<b>Non-Volatility</b>	–	√	√	√
<b>Write Performance</b>	√	–	–	√
<b>Read Performance</b>	√	–	–	√
<b>Endurance</b>	√	–	–	√
<b>Power</b>	–	–	–	√

MRAM is a true random-access memory; allowing both reads and writes to occur randomly in memory. MRAM is ideal for applications that must store and retrieve data without incurring large latency penalties. It offers low latency, low power, virtually unlimited endurance and data retention, high performance and scalable memory technology.

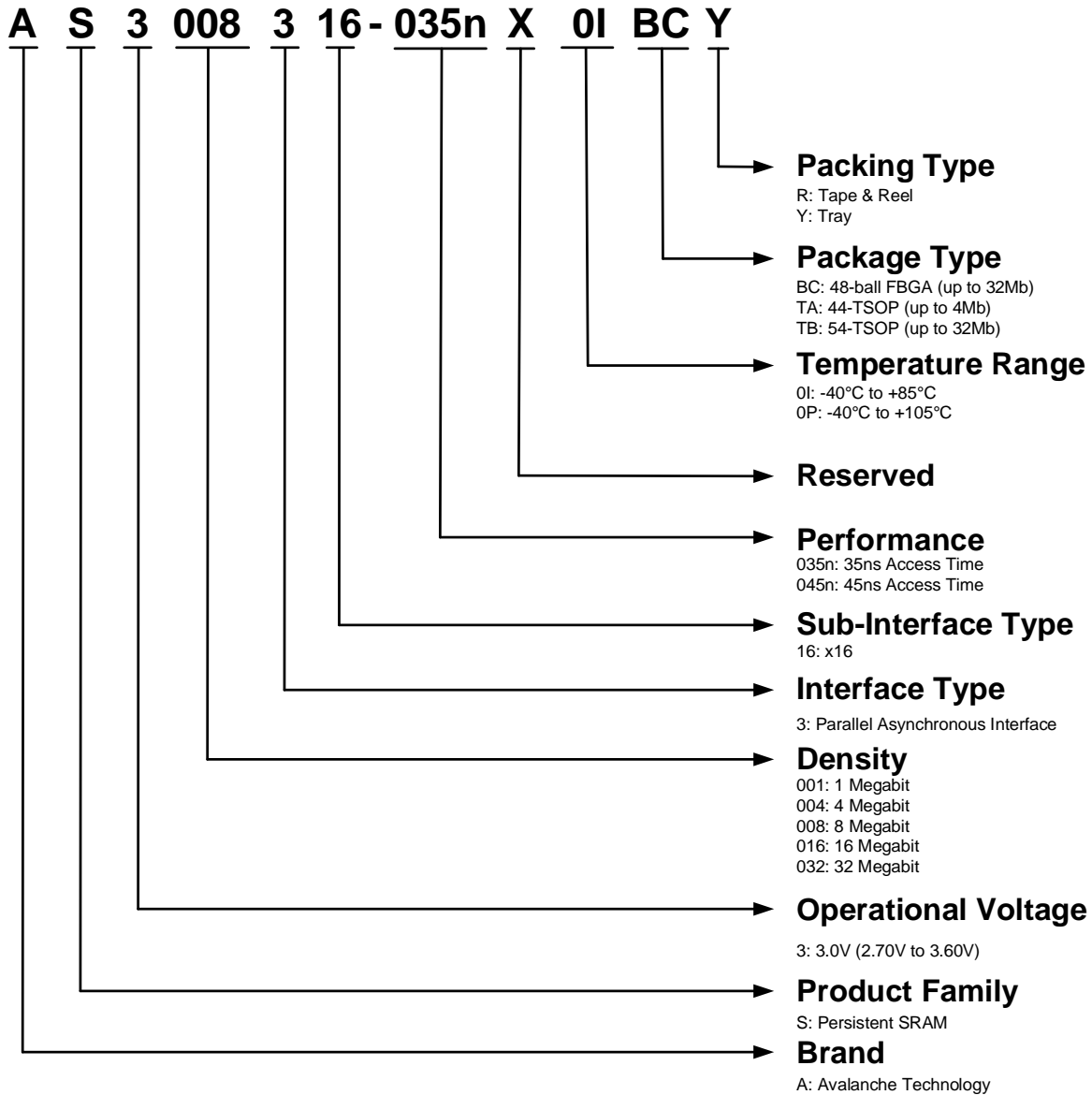
AS3xxx316 is available in small footprint 54-pin TSOP (10mm x 22mm) and 48-Ball FBGA (10mm x 10mm) packages supporting densities ranging from 1Mb to 32Mb. Densities of 1Mb and 4Mb are also available in a small footprint 44-pin TSOP (10mm x 18mm). These packages are compatible with similar low-power volatile and non-volatile products.

AS3xxx316 is offered with industrial (-40°C to 85°C) and industrial plus (-40°C to 105°C) operating temperature ranges.

## Ordering Options

The ordering part numbers are formed by a valid combination of the following options:

**Figure 1: Part Number Ordering System**



## Valid Combinations — Standard

Valid Combinations list includes device configurations currently available. Contact your local sales office to confirm availability of specific valid combinations and to check on newly released combinations.

**Table 2: Valid Combinations List**

Valid Combinations – 35ns				
Base Part Number	Temperature Range	Package Type	Packing Type	Part Number
AS3001316-035nX	0I, 0P	BC, TA, TB	R, Y	AS3001316-035nX0IBCR
				AS3001316-035nX0IBCY
				AS3001316-035nX0ITAR
				AS3001316-035nX0ITAY
				AS3001316-035nX0ITBR
				AS3001316-035nX0ITBY
				AS3001316-035nX0PBCR
				AS3001316-035nX0PBCY
				AS3001316-035nX0PTAR
				AS3001316-035nX0PTAY
				AS3001316-035nX0PTBR
				AS3001316-035nX0PTBY
AS3004316-035nX	0I, 0P	BC, TA, TB	R, Y	AS3004316-035nX0IBCR
				AS3004316-035nX0IBCY
				AS3004316-035nX0ITAR
				AS3004316-035nX0ITAY
				AS3004316-035nX0ITBR
				AS3004316-035nX0ITBY
				AS3004316-035nX0PBCR
				AS3004316-035nX0PBCY
				AS3004316-035nX0PTAR
				AS3004316-035nX0PTAY
				AS3004316-035nX0PTBR
				AS3004316-035nX0PTBY
AS3008316-035nX	0I, 0P	BC, TB	R, Y	AS3008316-035nX0IBCR
				AS3008316-035nX0IBCY
				AS3008316-035nX0ITBR
				AS3008316-035nX0ITBY
				AS3008316-035nX0PBCR
				AS3008316-035nX0PBCY
				AS3008316-035nX0PTBR
				AS3008316-035nX0PTBY
AS3016316-035nX	0I, 0P	BC, TB	R, Y	AS3016316-035nX0IBCR
				AS3016316-035nX0IBCY

				AS3016316-035nX0ITBR
				AS3016316-035nX0ITBY
				AS3016316-035nX0PBCR
				AS3016316-035nX0PBCY
				AS3016316-035nX0PTBR
				AS3016316-035nX0PTBY
<b>AS3032316-035nX</b>	0I, 0P	BC, TB	R, Y	AS3032316-035nX0IBCR
				AS3032316-035nX0IBCY
				AS3032316-035nX0ITBR
				AS3032316-035nX0ITBY
				AS3032316-035nX0PBCR
				AS3032316-035nX0PBCY
				AS3032316-035nX0PTBR
				AS3032316-035nX0PTBY

Valid Combinations – 45ns				
Base Part Number	Temperature Range	Package Type	Packing Type	Part Number
<b>AS3001316-045nX</b>	0I, 0P	BC, TA, TB	R, Y	AS3001316-045nX0IBCR
				AS3001316-045nX0IBCY
				AS3001316-045nX0ITAR
				AS3001316-045nX0ITAY
				AS3001316-045nX0ITBR
				AS3001316-045nX0ITBY
				AS3001316-045nX0PBCR
				AS3001316-045nX0PBCY
				AS3001316-045nX0PTAR
				AS3001316-045nX0PTAY
				AS3001316-045nX0PTBR
				AS3001316-045nX0PTBY
<b>AS3004316-045nX</b>	0I, 0P	BC, TA, TB	R, Y	AS3004316-045nX0IBCR
				AS3004316-045nX0IBCY
				AS3004316-045nX0ITAR
				AS3004316-045nX0ITAY
				AS3004316-045nX0ITBR
				AS3004316-045nX0ITBY
				AS3004316-045nX0PBCR
				AS3004316-045nX0PBCY
				AS3004316-045nX0PTAR
				AS3004316-045nX0PTAY
AS3004316-045nX0PTBR				

				AS3004316-045nX0PTBY
<b>AS3008316-045nX</b>	0I, 0P	BC, TB	R, Y	AS3008316-045nX0IBCR
				AS3008316-045nX0IBCY
				AS3008316-045nX0ITBR
				AS3008316-045nX0ITBY
				AS3008316-045nX0PBCR
				AS3008316-045nX0PBCY
				AS3008316-045nX0PTBR
				AS3008316-045nX0PTBY
<b>AS3016316-045nX</b>	0I, 0P	BC, TB	R, Y	AS3016316-045nX0IBCR
				AS3016316-045nX0IBCY
				AS3016316-045nX0ITBR
				AS3016316-045nX0ITBY
				AS3016316-045nX0PBCR
				AS3016316-045nX0PBCY
				AS3016316-045nX0PTBR
				AS3016316-045nX0PTBY
<b>AS3032316-045nX</b>	0I, 0P	BC, TB	R, Y	AS3032316-045nX0IBCR
				AS3032316-045nX0IBCY
				AS3032316-045nX0ITBR
				AS3032316-045nX0ITBY
				AS3032316-045nX0PBCR
				AS3032316-045nX0PBCY
				AS3032316-045nX0PTBR
				AS3032316-045nX0PTBY

## Signal Description and Assignment

Figure 2: Device Pinout

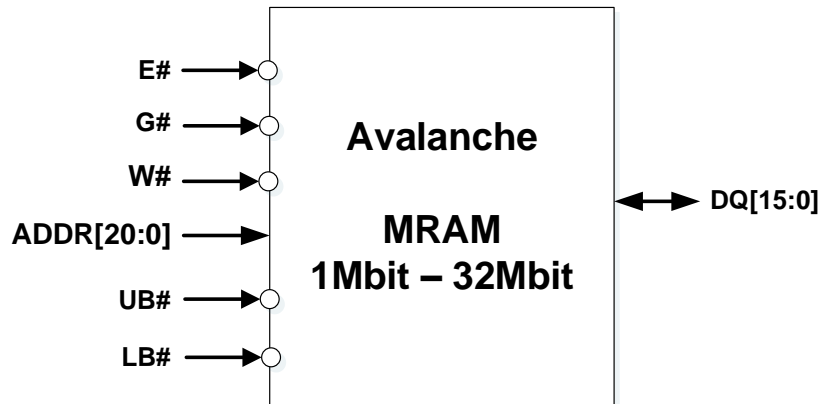


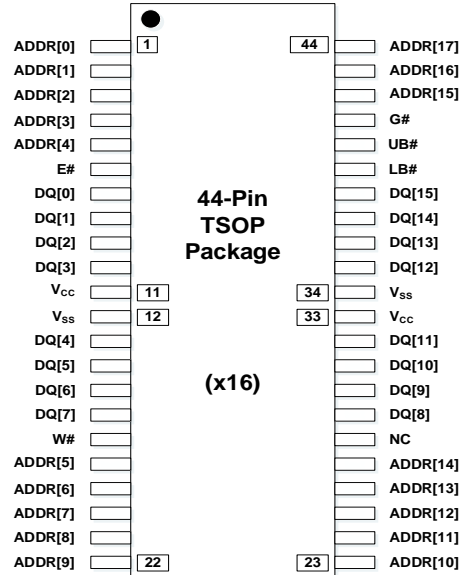
Table 3: Signal Description

Signal	Type	Description
<b>E#</b>	Input	<b>Chip enable:</b> Enables or disables the MRAM.
<b>G#</b>	Input	<b>Output enable:</b> Enables the output drivers in bidirectional data transfer I/Os.
<b>W#</b>	Input	<b>Write enable:</b> Transfers serial data from the host system to the MRAM when Low (Logic '0'). Transfers serial data from the MRAM to the host system when High (Logic '1').
<b>UB#</b>	Input	<b>Upper Byte Enable:</b> Enables or disables DQ[15:8].
<b>LB#</b>	Input	<b>Lower Byte Enable:</b> Enables or disables DQ[7:0].
<b>ADDR[20:0]</b>	Input	<b>Address:</b> I/Os for address transfer. 01M: ADDR[15:0] – 16 Address pins for 01M devices. 04M: ADDR[17:0] – 18 Address pins for 04M devices. 08M: ADDR[18:0] – 19 Address pins for 08M devices. 16M: ADDR[19:0] – 20 Address pins for 16M devices. 32M: ADDR[20:0] – 21 Address pins for 32M devices.
<b>DQ[15:0]</b>	Input / Output	<b>Data inputs/outputs:</b> The bidirectional I/Os transfer data.
<b>V<sub>CC</sub></b>	Supply	<b>V<sub>CC</sub>:</b> Core and I/O power supply.
<b>V<sub>SS</sub></b>	Supply	<b>V<sub>SS</sub>:</b> Core and I/O ground supply.
<b>NC</b>		<b>No connect:</b> NCs are not internally connected. They can be driven or left unconnected.
<b>DNU</b>		<b>Do not use:</b> DNUs must be left unconnected.

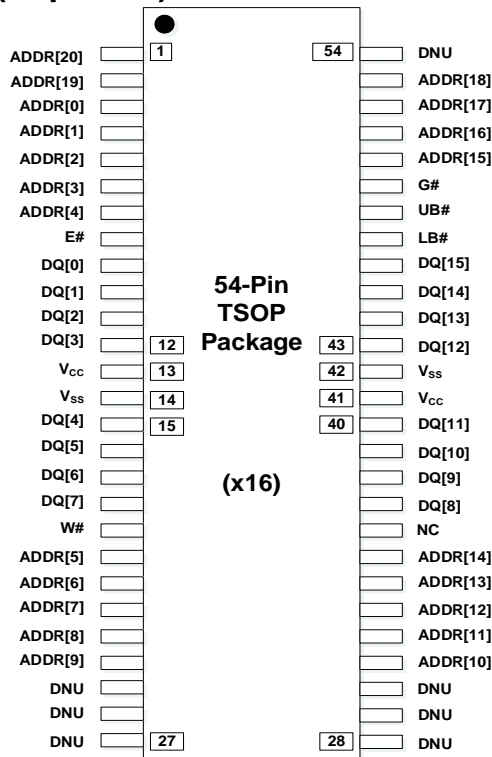


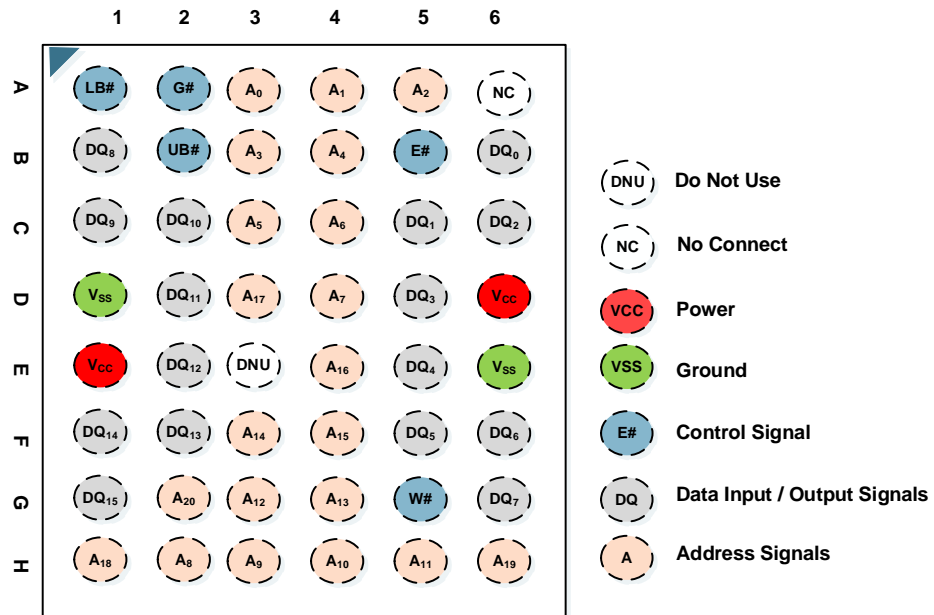
## Package Options

### 44-Pin TSOP (1-4Mb) (Top View)



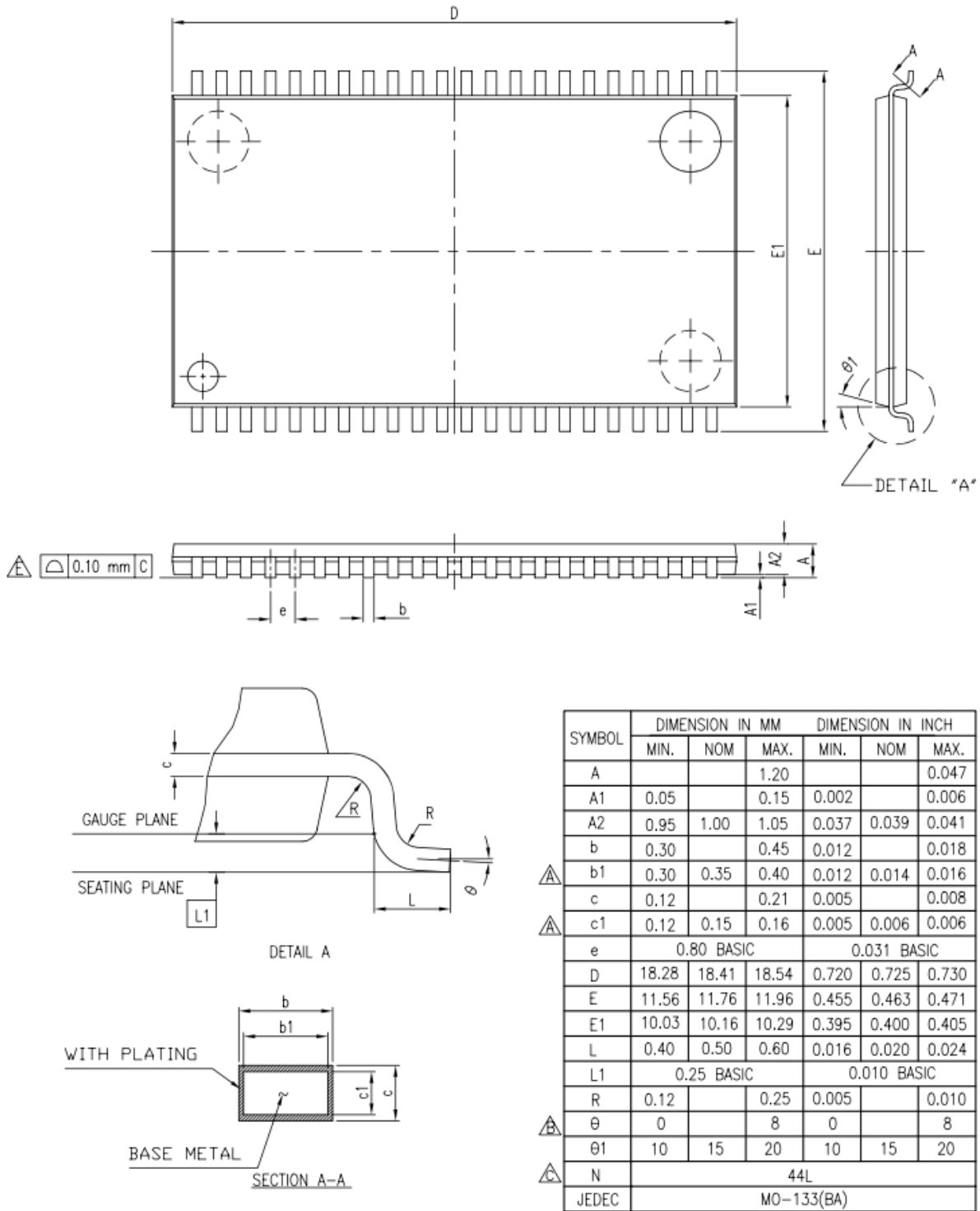
### 54-Pin TSOP (1-32Mb) (Top View)



**48-Ball FBGA (1-32Mb) (Balls Down, Top View)**


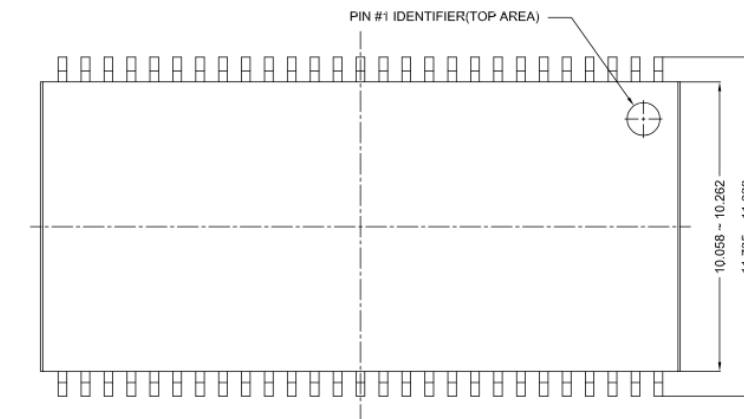
# Package Drawings

## 44-Pin TSOP

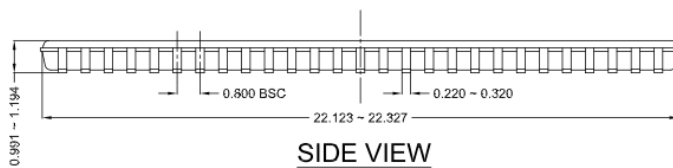


NOTE : DIMENSIONS D AND E1 DO NOT INCLUDE MOLD PROTRUSIONS.  
 D AND E1 ARE MAXIMUM PLASTIC BODY SIZE DIMENSIONS INCLUDING MOLD MISMATCH.

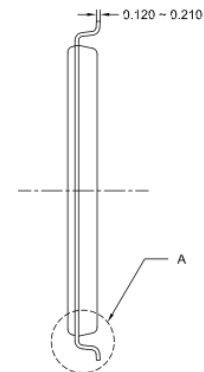
## 54-Pin TSOP



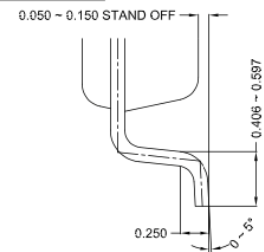
**TOP VIEW**



**SIDE VIEW**



**SIDE VIEW**

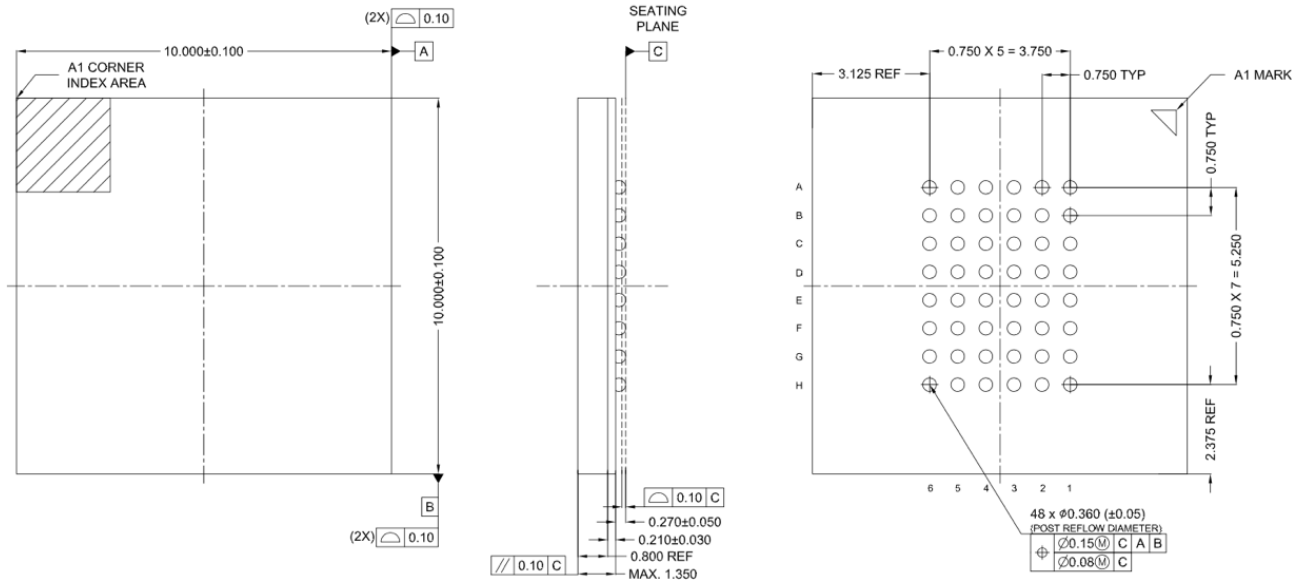


**DETAIL "A"**

(Unit : mm)

	COMMON DIMENSIONS			
	MIN	NOM	MAX	
Package	54TSOP			
Body size	X	-	-	
	Y	11.735	-	11.938
Mold size	X	22.123	-	22.327
	Y	10.058	-	10.262
Lead Pitch	0.800 BSC			
Total Thickness	0.991	-	1.194	
Lead Frame Thickness	0.120	-	0.210	
Stand Off	0.050	-	0.150	
LEAD Width	0.220	-	0.320	

## 48-Ball FBGA



(Unit : mm)

		COMMON DIMENSIONS		
		MIN	NOM	MAX
Package		48 FBGA		
Body size	X	9.900	10.000	10.100
	Y	9.900	10.000	10.100
Ball Pitch		0.750		
Total Thickness		1.350		
Mold Thickness		0.800 Ref.		
Substrate Thickness		0.180	0.210	0.240
Ball Diameter (Raw Ball Size)		0.350		
Stand Off		0.220	0.270	0.320
Ball Width (Post Reflow size)		0.310	0.360	0.410
Package Edge Tolerance		0.100		
Mold Parallelism		0.100		
Coplanarity		0.100		
Ball Offset (Package)		0.150		
Ball Offset (Ball)		0.050		
Ball Count		63		
Edge Ball Center to Center	X	3.750		
	Y	5.250		

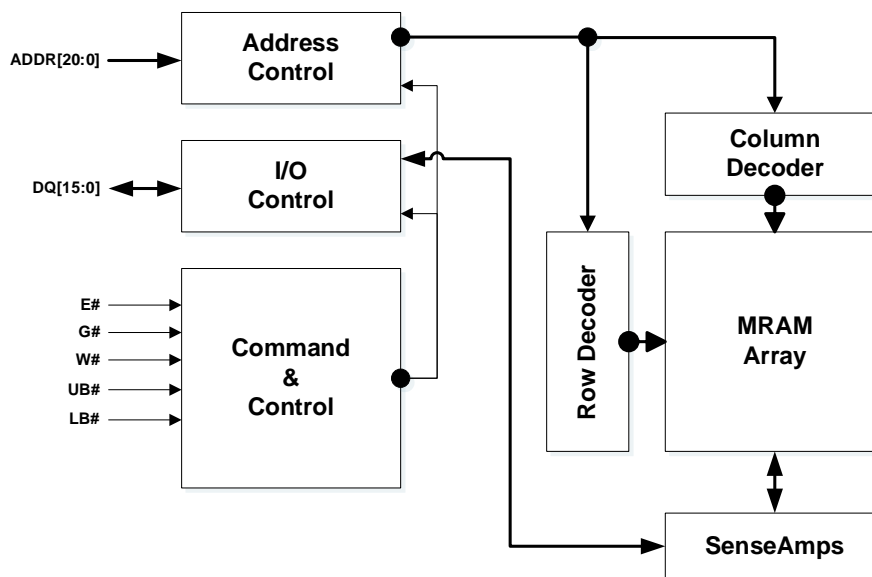
## Architecture

AS3xxx316 is a high performance MRAM device. Writing to and reading from the device as follows:

To write to the device, bring Chip Enable (E#) and Write Enable (W#) inputs Low (Logic '0'). This enables data on I/O pins (DQ[0] to DQ[15]) to be written into the memory location specified by the address pins ADDR[0] through ADDR[20] (54-pin TSOP and 48-ball FBGA) and ADDR[0] through ADDR[17] (44-pin TSOP).

To read from the device, bring Chip Enable (E#) input Low (Logic '0'), Output Enable (G#) input Low (Logic '0') while maintaining Write Enable (W#) High (Logic '1'). This enables data from the memory location specified by the address pins ADDR[0] through ADDR[20] (54-pin TSOP and 48-ball FBGA) and ADDR[0] through ADDR[17] (44-pin TSOP) to appear on I/O pins (DQ[0] to DQ[15]).

**Figure 3: Functional Block Diagram**



**Table 4: Modes of Operation**

Mode	E#	G#	W#	UB#	LB#	Current	DQ[15:8]	DQ[7:0]
<b>Not Selected</b>	H	X	X	X	X	I <sub>SB</sub>	Hi-Z	Hi-Z
<b>Output Disabled</b>	L	H	H	X	X	I <sub>READ</sub>	Hi-Z	Hi-Z
<b>Output Disabled</b>	L	X	X	H	H	I <sub>READ</sub>	Hi-Z	Hi-Z
<b>Read Upper Byte</b>	L	L	H	L	H	I <sub>READ</sub>	Dataout	Hi-Z
<b>Read Lower Byte</b>	L	L	H	H	L	I <sub>READ</sub>	Hi-Z	Dataout
<b>Read Word</b>	L	L	H	L	L	I <sub>READ</sub>	Dataout	Dataout
<b>Write Upper Byte</b>	L	X	L	L	H	I <sub>WRITE</sub>	Datain	Hi-Z
<b>Write Lower Byte</b>	L	X	L	H	L	I <sub>WRITE</sub>	Hi-Z	Datain
<b>Write Word</b>	L	X	L	L	L	I <sub>WRITE</sub>	Datain	Datain

**Notes:**

H: High (Logic '1')

X: Don't Care

L: Low (Logic '0')

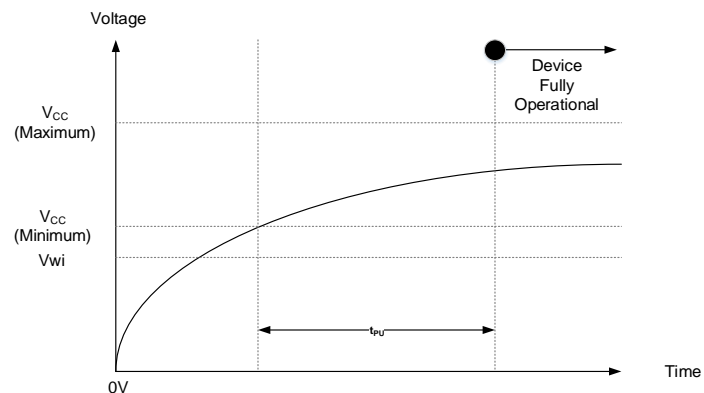
Hi-Z: High Impedance

## Device Initialization

When powering up, the following procedure is required to initialize the device correctly:

- E#, W#, G# must follow  $V_{CC}$  during power-up

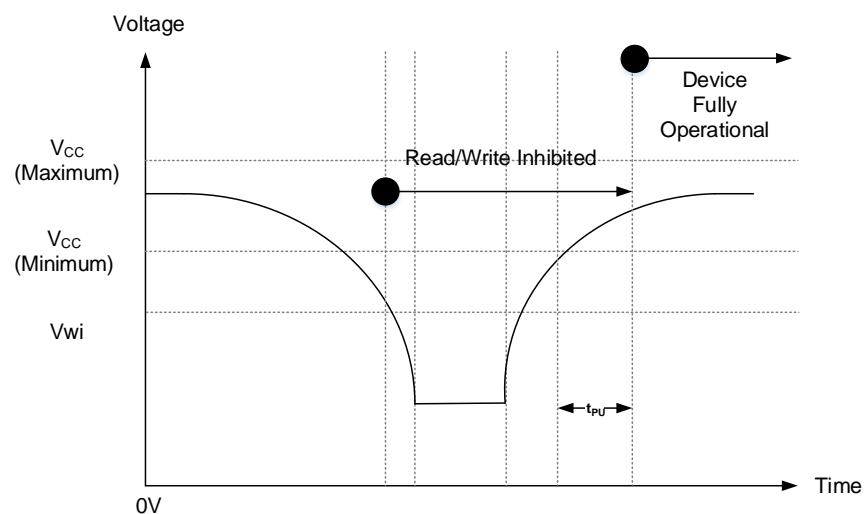
**Figure 4: Power-Up Behavior**



When powering down, the following procedure is required to turn off the device correctly:

- E#, W#, G# must follow  $V_{CC}$  during power-down
- During power loss or brownout, where  $V_{CC}$  goes below  $V_{wi}$ , read/write operations are prohibited. The power-up timing needs to be observed after  $V_{CC}$  goes above  $V_{CC}$  (minimum)

**Figure 5: Power-Down Behavior**



**Table 6: Device Initialization Timing – 3.0V**

Parameter	Symbol	Test Conditions	3.0V			Units
			Minimum	Typical	Maximum	
<b>V<sub>CC</sub> Range</b>		All operating voltages and temperatures	2.7	-	3.6	V
<b>V<sub>CC</sub> Power Up to First Instruction</b>	t <sub>PU</sub>	All operating voltages and temperatures	-	-	1	ms



## Electrical Specifications

**Table 7: Recommended Operating Conditions**

Parameter / Condition	Minimum	Typical	Maximum	Units	
	Industrial	-40.0	-	85.0	°C
	Industrial Plus	-40.0	-	105.0	°C
V <sub>CC</sub> Supply Voltage	3.0V	2.7	3.0	3.6	V
V <sub>SS</sub> Supply Voltage		0.0	0.0	0.0	V
V <sub>wi</sub> Write Inhibit Voltage		2.1	2.3	2.5	V

**Table 8: Pin Capacitance**

Parameter	Symbol	Test Conditions	Density	Maximum	Units
Input Pin Capacitance	C <sub>IN</sub>	TEMP = 25°C; f = 1 MHz; V <sub>IN</sub> = 0V	1-16Mb	10.0	pF
			32b	20.0	
Input / Output Pin Capacitance	C <sub>INOUT</sub>	TEMP = 25°C; f = 1 MHz; V <sub>IN</sub> = 0V	1-16Mb	10.0	pF
			32Mb	20.0	

**Table 9: DC Characteristics**

Parameter	Symbol	Test Conditions	3.0V Device (2.7V-3.6V)			Units	
			Minimum	Typical	Maximum		
Read Current	I <sub>READ</sub>	V <sub>CC</sub> (max), I <sub>OUT</sub> =0mA	1Mb – 32Mb	-	12.0	30.0	mA
Write Current	I <sub>WRITE</sub>	V <sub>CC</sub> (max)	1Mb – 32Mb	-	20.0	30.0	mA
Standby Current Industrial (-40°C to 85°C)	I <sub>SB</sub>	E#=V <sub>IH</sub> , V <sub>CC</sub> (max)	1-16Mb	-	1.5	2.5	mA
			32Mb	-	3.0	5.0	
Standby Current Industrial Extended (-40°C to 105°C)	I <sub>SB</sub>	E#=V <sub>IH</sub> , V <sub>CC</sub> (max)	1-16Mb	-	1.7	3.5	mA
			32Mb	-	3.4	7.0	
Input Leakage Current	I <sub>LI</sub>	V <sub>IN</sub> =0 to V <sub>CC</sub> (max)		-	-	±1.0	µA
Output Leakage Current	I <sub>LO</sub>	V <sub>OUT</sub> =0 to V <sub>CC</sub> (max)		-	-	±1.0	µA
Input High Voltage	V <sub>IH</sub>			0.8xV <sub>CC</sub>	-	V <sub>CC</sub> +0.3	V
Input Low Voltage	V <sub>IL</sub>			-0.5	-	0.2xV <sub>CC</sub>	V
Output High Voltage Level	V <sub>OH</sub>	I <sub>OH</sub> = -1.6mA		V <sub>CC</sub> -0.5	-	-	V
Output Low Voltage Level	V <sub>OL</sub>	I <sub>OL</sub> = 1.6mA		-	-	0.4	V

**Table 10: Magnetic Immunity Characteristics**

Parameter	Symbol	Maximum	Units
Magnetic Field During Write	$H_{\max\_write}$	24000	A/m
Magnetic Field During Read	$H_{\max\_read}$	24000	A/m

**Table 11: AC Test Conditions**

<b>Parameter</b>	<b>Value</b>
<b>Input pulse levels</b>	0.0V to $V_{CC}$
<b>Input rise and fall times</b>	5ns
<b>Input and output measurement timing levels</b>	$V_{CC}/2$
<b>Output Load</b>	CL = 30pF

## Write Operation

Figure 7: Write Operation (W# Controlled)

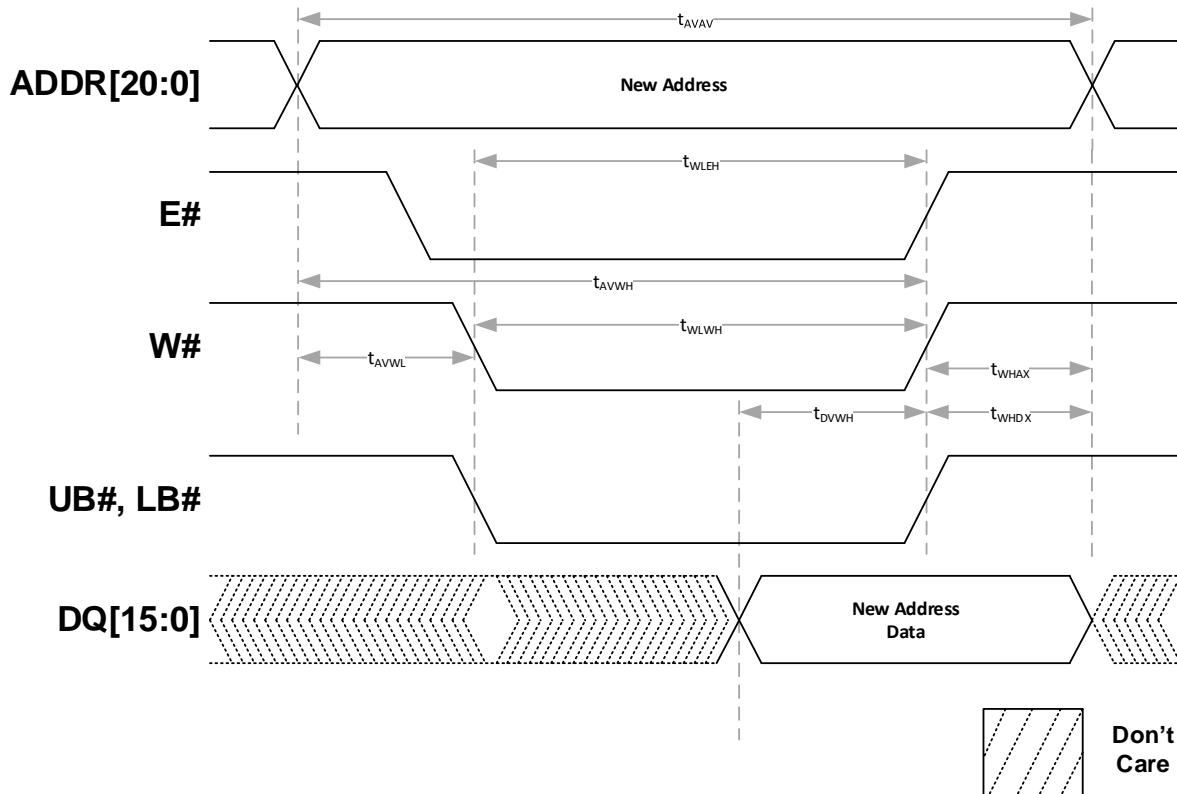
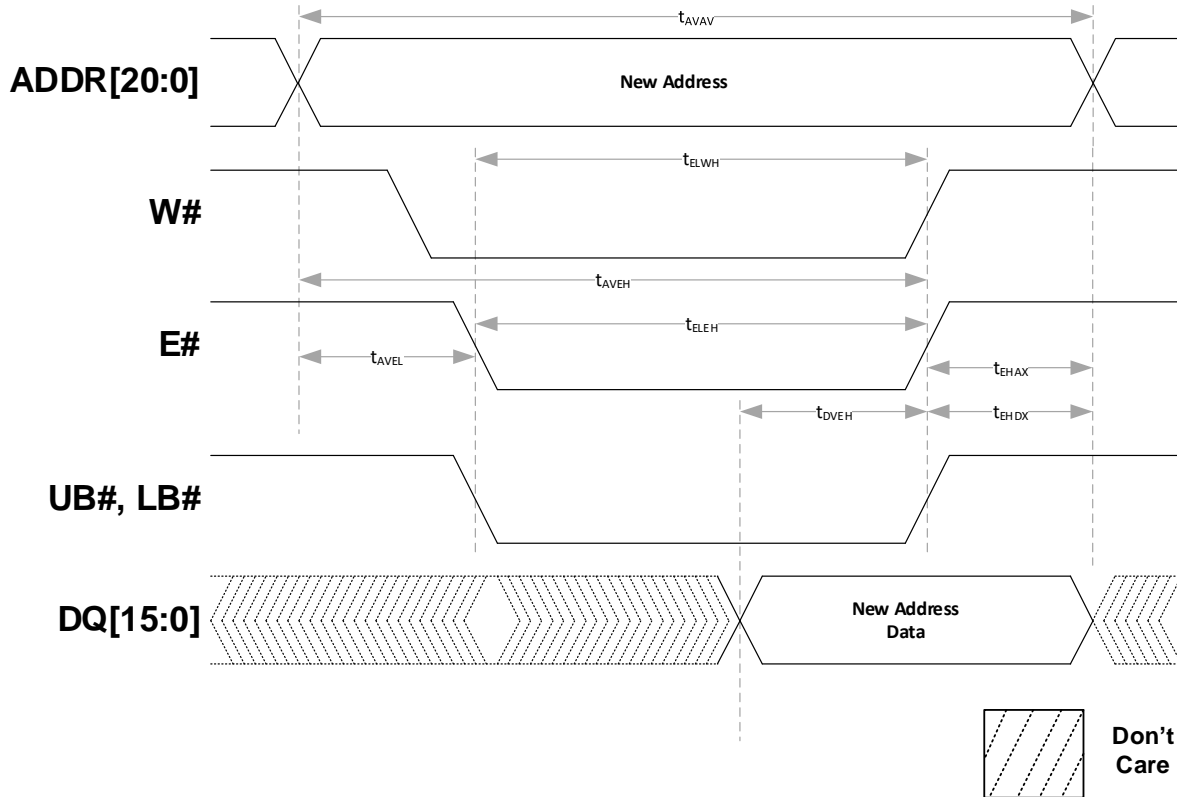


Table 12: Write Operation (W# Controlled)

Parameter	Symbol	Minimum		Maximum	Units
		35ns	45ns		
Write Cycle Time	$t_{AVAV}$	35	45	-	ns
Address Set-Up Time	$t_{AVWL}$	0		-	ns
Address Valid to end of Write (G# High)	$t_{AVWH}$	18	28	-	ns
Address Valid to end of Write (G# Low)	$t_{AVWH}$	20	30	-	ns
Write Pulse Width (G# High)	$t_{WLWH}, t_{WLEH}$	15	25	-	ns
Write Pulse Width (G# Low)	$t_{WLWH}, t_{WLEH}$	15	25	-	ns
Data Valid to end of Write	$t_{DVWH}$	10	15	-	ns
Data Hold Time	$t_{WHDX}$	0		-	ns
Write recovery Time	$t_{WHAX}$	12		-	ns

**Notes:**

- G# is High (Logic '1') for Write operation
- Power supplies must be stable
- Addresses valid either before or at the same time as E# goes low

**Figure 8: Write Operation (E# Controlled)**

**Table 13: Write Operation (E# Controlled)**

Parameter	Symbol	Minimum		Maximum	Units
		35ns	45ns		
Write Cycle Time	$t_{AVAV}$	35	45	-	ns
Address Set-Up Time	$t_{AVEL}$	0		-	ns
Address Valid to end of Write (G# High)	$t_{AVEH}$	18	28	-	ns
Address Valid to end of Write (G# Low)	$t_{AVEH}$	20	30	-	ns
Write Pulse Width (G# High)	$t_{ELWH}, t_{ELEH}$	15	25	-	ns
Write Pulse Width (G# Low)	$t_{ELWH}, t_{ELEH}$	15	25	-	ns
Data Valid to end of Write	$t_{DVEH}$	10	15	-	ns
Data Hold Time	$t_{EHDX}$	0		-	ns
Write recovery Time	$t_{EHAX}$	12		-	ns

**Notes:**

G# is High (Logic '1') for Write operation

Power supplies must be stable

Addresses valid either before or at the same time as W# goes low

## Bus Turnaround Operation – Read to Write

Figure 9: Bus Turnaround Operation

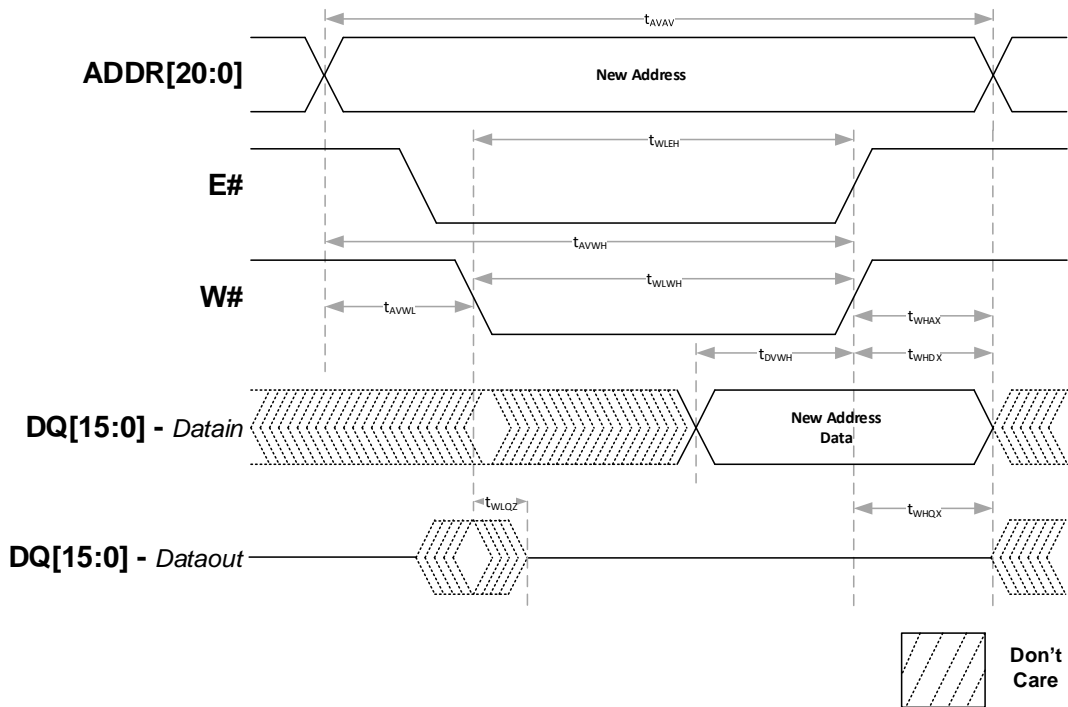


Table 14: Bus Turnaround

Parameter	Symbol	Minimum	Maximum		Units
			35ns	45ns	
<b>W# Low to Data Hi-Z</b>	$t_{WLQZ}$	0	12	15	ns
<b>W# High to Output Active</b>	$t_{WHQX}$	3	-		ns

**Notes:**

Power supplies must be stable

Addresses valid either before or at the same time as E# goes low

## Read Operation

Figure 10: Read Operation

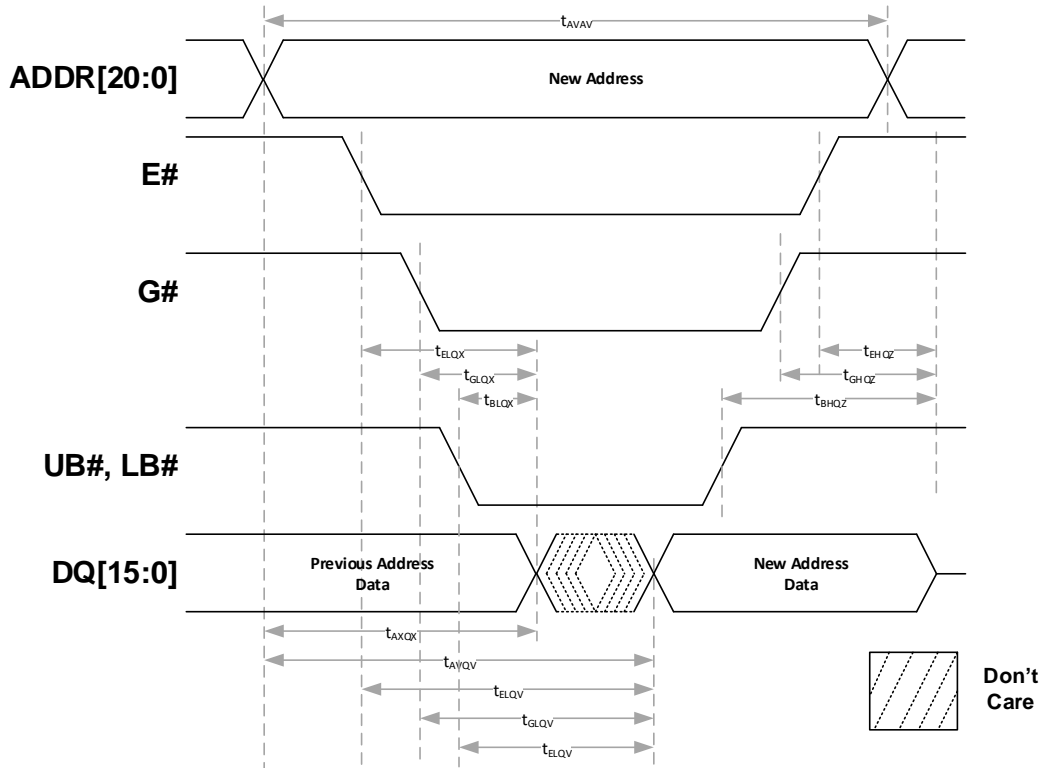


Table 15: Read Operation

Parameter	Symbol	Minimum		Maximum		Units
		35ns	45ns	35ns	45ns	
Read Cycle Time	$t_{AVAV}$	35	45	-	-	ns
Address Cycle Time	$t_{AVQV}$	-	-	35	45	ns
Chip Enable Access Time	$t_{ELQV}$	-	-	35	45	ns
Output Enable Access Time	$t_{GLQV}$	-	-	15	25	ns
Byte Enable Access Time	$t_{BLQV}$	-	-	15	25	ns
Output Hold From Address Change	$t_{AXQX}$	3	-	-	-	ns
Chip Enable Low to Output Active	$t_{ELQX}$	3	-	-	-	ns
Output Enable Low to Output Active	$t_{GLQX}$	0	-	-	-	ns
Byte Enable Low to Output Active	$t_{BLQX}$	0	-	-	-	ns
Chip Enable High to Output Hi-Z	$t_{EHQZ}$	0	-	15	-	ns
Output Enable High to Output Hi-Z	$t_{GHQZ}$	0	-	10	15	ns
Byte Enable High to Output Hi-Z	$t_{BHQZ}$	0	-	10	-	ns

**Notes:**

W# is High (Logic '1') for Read operation

Power supplies must be stable

Addresses valid either before or at the same time as E# goes low

## Endurance and Data Retention

*Table 16: Endurance and Data Retention*

Parameter	Symbol	Test Conditions	Minimum	Units
<b>Write Endurance</b>	END	-	10 <sup>14</sup>	cycles
<b>Data Retention</b>	RET	105°C	10	years
		85°C	1,000	
		75°C	10,000	
		65°C	1,000,000	



## Thermal Resistance

**Table 17: Thermal Resistance Specifications**

Parameter	Description	Test Conditions	44-pin TSOP	54-pin TSOP (1Mb - 16Mb)	54-pin TSOP (32Mb)	48 Ball FBGA (1Mb - 16Mb)	48 Ball FBGA (32Mb)	Unit
$\theta_{JA}$	Thermal resistance (junction to ambient)	Test conditions follow standard test methods and procedures for measuring thermal impedance, per EIA/JESD51	40.05	52.78	54.07	42.67	43.98	°C/W
$\theta_{JC}$	Thermal resistance (junction to case)		7.02	6.70	7.82	11.09	11.82	

**Notes:**

1: These parameters are guaranteed by characterization; not tested in production.

## Product Use Limitations

Avalanche reserves the right to make changes to the information in this document, and related hardware, software and system (collectively referred to as “**Products**”) without notice. This document supersedes and replaces any and all prior or contemporaneous information or arrangement of any kind relating to the subject matter hereof. This document and any information set forth herein may not be reproduced without the prior written permission from Avalanche.

**Critical Applications.** Products are not authorized for use in applications in which failure of the Avalanche component could result, directly or indirectly in death, personal injury, or severe property or environmental damage (“**Critical Applications**”). Avalanche assumes no liability for Products if used for Critical Applications. Should customer or distributor purchase, use, or sell any Avalanche component for Critical Applications, customer and distributor shall indemnify and hold harmless Avalanche and its subsidiaries, subcontractors, and affiliates and the directors, officers, and employees of each against all claims, costs, damages, and expenses and reasonable attorneys’ fees arising out of, directly or indirectly, any claim of product liability, personal injury, or death arising in any way out of such Critical Application, whether or not Avalanche or its subsidiaries, subcontractors, or affiliates were negligent in the design, manufacture, or warning of the Products.

**Automotive Applications.** Products are not rated for use in automotive applications unless specified by Avalanche. Avalanche assumes no liability for Products if used for automotive applications. Distributor and customer shall assume the sole risk and liability for such use and shall indemnify and hold Avalanche harmless against all claims, costs, damages, and expenses and reasonable attorneys’ fees arising out of, directly or indirectly, any claim of product liability, personal injury, death, or property damage resulting directly or indirectly from any use of Products in automotive applications.

**Customer Responsibility.** Customers are solely responsible for the design and operation of their systems using Products. It is customer’s sole responsibility to determine whether Products are suited for their system. Customers are required to incorporate good safety design measures and adequate safeguards to eliminate risks of personal injury, death, or severe property or environmental damages that could result from failure of Products. **AVALANCHE ASSUMES NO LIABILITY FOR CUSTOMERS’ PRODUCT DESIGN OR APPLICATIONS AND DAMAGES OR LOSSES OCCURRING AS A RESULT OF NONCOMPLIANCE WITH APPLICABLE LAWS AND REGULATIONS.**

Products are not to be used in applications that would violate any relevant export laws and regulations of the United States and Japan and all other countries having competent jurisdiction (“Export Laws”) to ensure neither MRAM products nor any direct product thereof is: (i) exported or re-exported directly or indirectly in violation of Export Laws; or (ii) used for any purpose prohibited by the Export Laws, including but not limited to nuclear, chemical, or biological weapons proliferation.

The information contained herein is presented only as guidance for Product use. Avalanche assumes no responsibility for any infringement of patents or any other intellectual property rights of third parties that may result from the use of Products. No license to any intellectual property right is granted by this document, whether expressed or implied. You may not perform compositional, structural, functional or other analysis of Products, or undertake deconvolution or reverse engineering with respect to Products.

### **Limited Warranty**

In no event shall Avalanche and its representatives be liable for any indirect, incidental, punitive, special or consequential damages (including but not limited to loss of use, revenue or profit), whether or not such damages are based on tort, warranty, breach of contract or other legal theory.

In no event shall Avalanche’s aggregate liability for any breach, warranty, indemnity or other obligation or liability arising out of or in connection with the sale of Products or the use of any Products exceed the purchase price of the particular Product(s) or services with respect to which losses or damages are claimed.