



# **AS4C32M16SA**

512Mbit Single-Data-Rate (SDR) SDRAM  
32Mx16(8M x 16 x 4 Banks)

---

---

## **512Mbit Single-Data-Rate (SDR) SDRAM**

**AS4C32M16SA-7TCN & AS4C32M16SA-7TIN**  
**AS4C32M16SA-7BCN & AS4C32M16SA-7BIN**

**32Mx16 (8M x 16 x 4 Banks)**



# AS4C32M16SA

512Mbit Single-Data-Rate (SDR) SDRAM  
32Mx16(8M x 16 x 4 Banks)

---

---

## REVISION HISTORY

Rev. 1.0 March 2012	initial version
Rev. 1.1 April 2012	Revised Operating-; Standby- and Refresh Currents
Rev. 2.0 February 2014	Die Shrink – A revision
Rev. 3.0 April 2015	Add BGA option
Rev. 4.0 March 2016	Correcting errors: Page 3 transfer rates up to 166 MHz ==> transfer rates up to 143MHz Page 4 data transfer rates up to 166 MHz =====> data transfer rates up to 143 MHz data rate of up to 166 MHz=====>data rate of upto 143 MHz Page 5 - pin labelling errors I/O1 ==> DQ0 I/O16 ==> DQ15 Page 6 = pin labelling errors VDD====> VCC VDDQ====> VCCQ



# AS4C32M16SA

512Mbit Single-Data-Rate (SDR) SDRAM  
32Mx16(8M x 16 x 4 Banks)

---

---

## Overview

This section gives an overview of the 512M SDRAM product and describes its main characteristics.

## Features

- 4 banks x 8Mbit x 16 organization
- High speed data transfer rates up to 143 MHz
- Full Synchronous Dynamic RAM, with all signals referenced to clock rising edge
- Single Pulsed  $\overline{\text{RAS}}$  Interface
- Data Mask for Read/Write Control
- Four Banks controlled by BA0 & BA1
- Programmable  $\overline{\text{CAS}}$  Latency: 2, 3
- Programmable Wrap Sequence: Sequential or Interleave
- Programmable Burst Length:
  - 1, 2, 4, 8 and full page for Sequential Type 1, 2, 4, 8 for Interleave Type
- Multiple Burst Read with Single Write Operation
- Automatic and Controlled Pre-charge Command
- Random Column Address every CLK (1-N Rule)
- Power Down Mode
- Auto Refresh and Self Refresh
- Refresh Interval: 8192 cycles/64 ms
- Available in 54 Pin TSOP II
- Available in 54 Ball FBGA II
- LVTTTL Interface
- Single +3.3 V  $\pm 0.3$  V Power Supply
- **ROHS Compliant\***



# AS4C32M16SA

512Mbit Single-Data-Rate (SDR) SDRAM  
32Mx16(8M x 16 x 4 Banks)

Table 1 - Performance Table

	-7
System Frequency (f <sub>CK</sub> )	143 MHz
Clock Cycle Time (t <sub>CK3</sub> )	7 ns
Clock Access Time (t <sub>AC3</sub> ) CAS Latency = 3	5.4 ns
Clock Access Time (t <sub>AC2</sub> ) CAS Latency = 2	6 ns

## Description

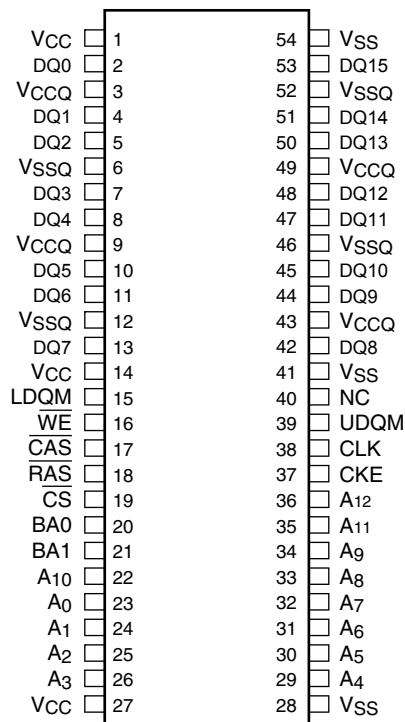
The AS4C32M16SA is a four bank Synchronous DRAM organized as 4 banks x 8Mbit x 16. The AS4C32M16SA achieves high speed data transfer rates up to 143 MHz by employing a chip architecture that prefetches multiple bits and then synchronizes the output data to a system clock. All of the control, address, data input and output circuits are synchronized with the positive edge of an externally supplied clock.

Operating the four memory banks in an inter-leaved fashion allows random access operation to occur at higher rate than is possible with standard DRAMs. A sequential and gapless data rate of up to 143 MHz is possible depending on burst length, CAS latency and speed grade of the device.

Table 2 – Ordering Information for ROHS Compliant Products

Product part No	Org	Temperature	Max Clock (MHz)	Package
AS4C32M16SA-7TCN	32M x 16	Commercial 0°C to 70°C	143	54pin TSOP II
AS4C32M16SA-7TIN	32M x 16	Industrial -40°C to 85°C	143	54pin TSOP II
AS4C32M16SA-7BCN	32M x 16	Commercial 0°C to 70°C	143	54 Ball FBGA
AS4C32M16SA-7BIN	32M x 16	Industrial -40°C to 85°C	143	54 Ball FBGA

**54 Pin Plastic TSOP-II  
 x16 PIN CONFIGURATION  
 Top View**



356164V-01

**Pin Names**

CLK	Clock Input
CKE	Clock Enable
$\overline{CS}$	Chip Select
$\overline{RAS}$	Row Address Strobe
$\overline{CAS}$	Column Address Strobe
$\overline{WE}$	Write Enable
A <sub>0</sub> -A <sub>12</sub>	Address Inputs
BA0, BA1	Bank Select
DQ0-DQ15	Data Input/Output
LDQM, UDQM	Data Mask
V <sub>CC</sub>	Power (+3.0V~3.3V)
V <sub>SS</sub>	Ground
V <sub>CCQ</sub>	Power for I/O's (+3.0V~3.3V)
V <sub>SSQ</sub>	Ground for I/O's
NC	Not connected

**54 BALL FBGA  
x16 PIN CONFIGURATION  
Top View**

configuration for x 16 devices:

1	2	3		7	8	9
VSS	DQ15	VSSQ	A	VCCQ	DQ0	VCC
DQ14	DQ13	VCCQ	B	VSSQ	DQ2	DQ1
DQ12	DQ11	VSSQ	C	VCCQ	DQ4	DQ3
DQ10	DQ9	VCCQ	D	VSSQ	DQ6	DQ5
DQ8	NC	VSS	E	VCC	LDQM	DQ7
UDQM	CLK	CKE	F	$\overline{\text{CAS}}$	$\overline{\text{RAS}}$	$\overline{\text{WE}}$
A12	A11	A9	G	BA0	BA1	$\overline{\text{CS}}$
A8	A7	A6	H	A0	A1	A10
VSS	A5	A4	J	A3	A2	VCC

**Pin Names**

CLK	Clock Input
CKE	Clock Enable
$\overline{\text{CS}}$	Chip Select
$\overline{\text{RAS}}$	Row Address Strobe
$\overline{\text{CAS}}$	Column Address Strobe
$\overline{\text{WE}}$	Write Enable
A <sub>0</sub> -A <sub>12</sub>	Address Inputs
BA0, BA1	Bank Select
DQ <sub>0</sub> -DQ <sub>15</sub>	Data Input/Output
LDQM, UDQM	Data Mask
V <sub>CC</sub>	Power (+3.0V~3.3V)
V <sub>SS</sub>	Ground
V <sub>CCQ</sub>	Power for I/O's (+3.0V~3.3V)
V <sub>SSQ</sub>	Ground for I/O's
NC	Not connected

### Capacitance\*

(at Ta=0 to 25 °C, V<sub>CC</sub> = V<sub>CCQ</sub> = 3.3 V ± 0.3 V)

Parameter	Symbol	Min.	Max.	Unit
Input Capacitance: CLK	C <sub>CLK</sub>	4.5	6	pF
Input Capacitance: All other input pins and balls	C <sub>IN</sub>	2.5	6	pF
Input/output Capacitance: DQ	C <sub>IO</sub>	4	6	pF

\*Note: Capacitance is sampled and not 100% tested.

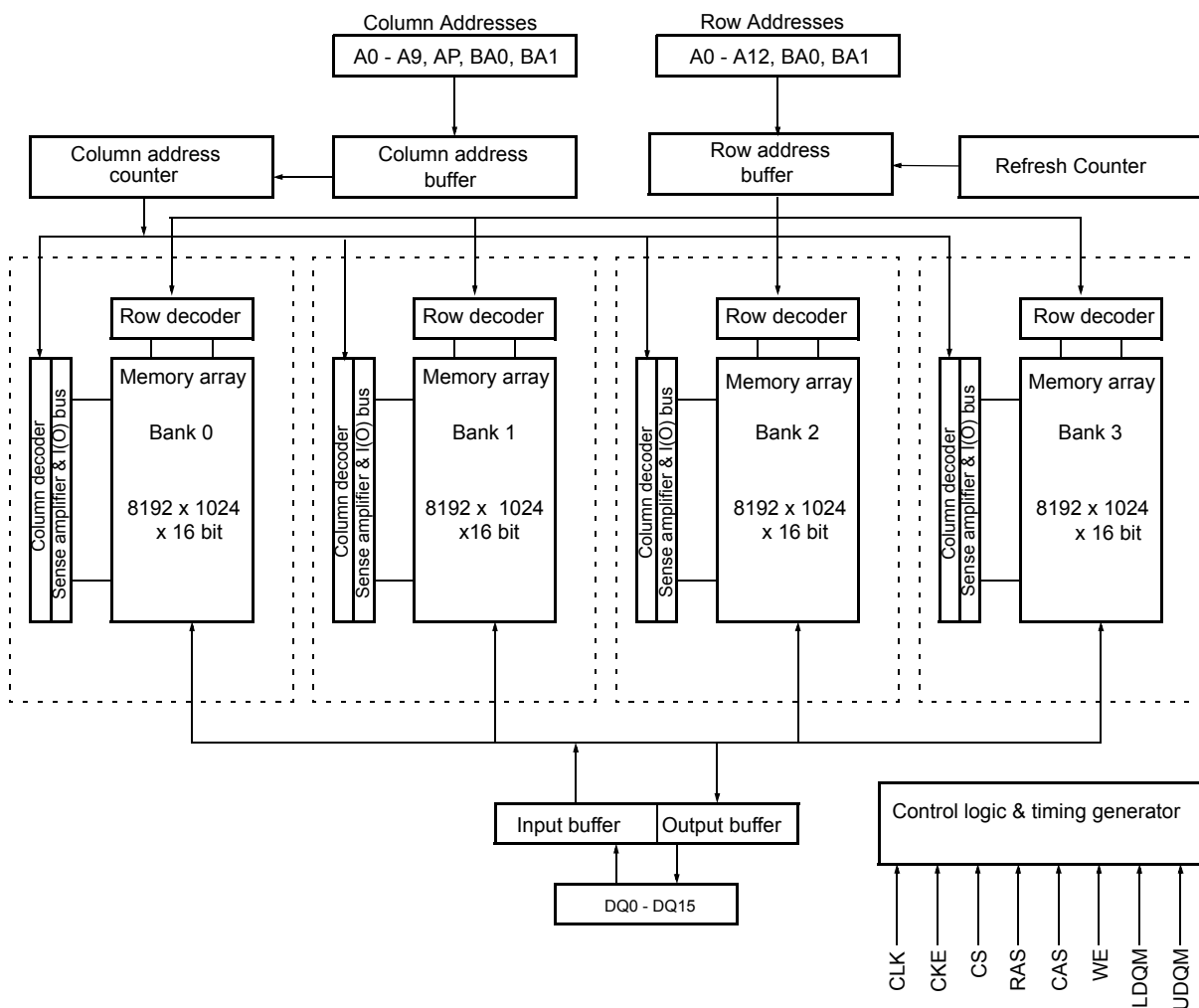
### Absolute Maximum Ratings\*

Operating temperature range ..... 0 to 70 °C for normal  
 -40 to 85 °C for Industrial  
 Storage temperature range ..... -55 to 150 °C  
 Input/output voltage ..... -0.3 to (V<sub>CC</sub>±0.3) V  
 Power supply voltage ..... -0.3 to 4.6 V  
 Power dissipation ..... 1 W  
 Data out current (short circuit) ..... 50 mA

\*Note: Stresses above those listed under "Absolute Maximum Ratings" may cause permanent damage of the device. Exposure to absolute maximum rating conditions for extended periods may affect device reliability.

### Block Diagram

#### x16 Configuration



### Signal Pin Description

Pin	Type	Signal	Polarity	Function
CLK	Input	Pulse	Positive Edge	The system clock input. All of the SDRAM inputs are sampled on the rising edge of the clock.
CKE	Input	Level	Active High	Activates the CLK signal when high and deactivates the CLK signal when low, thereby initiates either the Power Down mode or the Self Refresh mode.
$\overline{CS}$	Input	Pulse	Active Low	$\overline{CS}$ enables the command decoder when low and disables the command decoder when high. When the command decoder is disabled, new commands are ignored but previous operations continue.
$\overline{RAS}$ , $\overline{CAS}$ , $\overline{WE}$	Input	Pulse	Active Low	When sampled at the positive rising edge of the clock, $\overline{CAS}$ , $\overline{RAS}$ , and $\overline{WE}$ define the command to be executed by the SDRAM.
A0 - A12	Input	Level	—	<p>During a Bank Activate command cycle, A0-A12 defines the row address (RA0-RA12) when sampled at the rising clock edge.</p> <p>During a Read or Write command cycle, A0-An defines the column address (CA0-CA<sub>n</sub>) when sampled at the rising clock edge. CA<sub>n</sub> depends from the SDRAM organization:</p> <ul style="list-style-type: none"> <li>• 64M x 8 SDRAM CA0–CA9, CA11.</li> <li>• 32M x 16 SDRAM CA0–CA9.</li> </ul> <p>In addition to the column address, A10(=AP) is used to invoke autoprecharge operation at the end of the burst read or write cycle. If A10 is high, autoprecharge is selected and BA0, BA1 defines the bank to be precharged. If A10 is low, autoprecharge is disabled. During a Precharge command cycle, A10(=AP) is used in conjunction with BA0 and BA1 to control which bank(s) to precharge. If A10 is high, all four banks will BA0 and BA1 are used to define which bank to precharge.</p>
BA0, BA1	Input	Level	—	Selects which bank is to be active.
DQx	Input Output	Level	—	Data Input/Output pins operate in the same manner as on conventional DRAMs.
LDQM, UDQM	Input	Pulse	Active High	The Data Input/Output mask places the DQ buffers in a high impedance state when sampled high. In Read mode, DQM has a latency of two clock cycles and controls the output buffers like an output enable. In Write mode, DQM has a latency of zero and operates as a word mask by allowing input data to be written if it is low but blocks the write operation if DQM is high.
VCC, VSS	Supply			Power and ground for the input buffers and the core logic.
VCCQ, VSSQ	Supply	—	—	Isolated power supply and ground for the output buffers to provide improved noise immunity.



## Operation Definition

All of SDRAM operations are defined by states of control signals  $\overline{CS}$ ,  $\overline{RAS}$ ,  $\overline{CAS}$ ,  $\overline{WE}$ , and DQM at the positive edge of the clock. The following list shows the truth table for the operation commands.

Operation	Device State	CKE n-1	CKE n	$\overline{CS}$	$\overline{RAS}$	$\overline{CAS}$	$\overline{WE}$	DQM	A0-9, A11, A12	A10	BS0 BS1
Row Activate	Idle <sup>3</sup>	H	X	L	L	H	H	X	V	V	V
Read	Active <sup>3</sup>	H	X	L	H	L	H	X	V	L	V
Read w/Autoprecharge	Active <sup>3</sup>	H	X	L	H	L	H	X	V	H	V
Write	Active <sup>3</sup>	H	X	L	H	L	L	X	V	L	V
Write with Autoprecharge	Active <sup>3</sup>	H	X	L	H	L	L	X	V	H	V
Row Precharge	Any	H	X	L	L	H	L	X	X	L	V
Precharge All	Any	H	X	L	L	H	L	X	X	H	X
Mode Register Set	Idle	H	X	L	L	L	L	X	V	V	V
No Operation	Any	H	X	L	H	H	H	X	X	X	X
Device Deselect	Any	H	X	H	X	X	X	X	X	X	X
Auto Refresh	Idle	H	H	L	L	L	H	X	X	X	X
Self Refresh Entry	Idle	H	L	L	L	L	H	X	X	X	X
Self Refresh Exit	Idle (Self Refr.)	L	H	H	X	X	X	X	X	X	X
				L	H	H	X				
Power Down Entry	Idle Active <sup>4</sup>	H	L	H	X	X	X	X	X	X	X
				L	H	H	X				
Power Down Exit	Any (Power Down)	L	H	H	X	X	X	X	X	X	X
				L	H	H	L				
Data Write/Output Enable	Active	H	X	X	X	X	X	L	X	X	X
Data Write/Output Disable	Active	H	X	X	X	X	X	H	X	X	X

### Notes:

1. V = Valid, x = Don't Care, L = Low Level, H = High Level
2. CKE<sub>n</sub> signal is input level when commands are provided, CKE<sub>n-1</sub> signal is input level one clock before the commands are provided.
3. These are state of bank designated by BS0, BS1 signals.
4. Power Down Mode can not entry in the burst cycle.

## ***Power On and Initialization***

The default power on state of the mode register is supplier specific and may be undefined. The following power on and initialization sequence guarantees the device is preconditioned to each user's specific needs. Like a conventional DRAM, the Synchronous DRAM must be powered up and initialized in a predefined manner. During power on, all VCC and VCCQ pins must be built up simultaneously to the specified voltage when the input signals are held in the "NOP" state. The power on voltage must not exceed  $VCC+0.3V$  on any of the input pins or VCC supplies. The CLK signal must be started at the same time. After power on, an initial pause of 200 ms is required followed by a precharge of both banks using the precharge command. To prevent data contention on the DQ bus during power on, it is required that the DQM and CKE pins be held high during the initial pause period. Once all banks have been precharged, the Mode Register Set Command must be issued to initialize the Mode Register. A minimum of two Auto Refresh cycles (CBR) are also required. These may be done before or after programming the Mode Register. Failure to follow these steps may lead to unpredictable start-up modes.

## ***Programming the Mode Register***

The Mode register designates the operation mode at the read or write cycle. This register is divided into 4 fields. A Burst Length Field to set the length of the burst, an Addressing Selection bit to program the column access sequence in a burst cycle (interleaved or sequential), a CAS Latency Field to set the access time at clock cycle and a Operation mode field to differentiate between normal operation (Burst read and burst Write) and a special Burst Read and Single Write mode. The mode set operation must be done before any activate command after the initial power up. Any content of the mode register can be altered by re-executing the mode set command. All banks must be in pre-charged state and  $\overline{CKE}$  must be high at least one clock before the mode set operation. After the mode register is set, a Standby or NOP command is required. Low signals of  $\overline{RAS}$ ,  $\overline{CAS}$ , and  $\overline{WE}$  at the positive edge of the clock activate the mode set operation. Address input data at this timing defines parameters to be set as shown in the previous table.

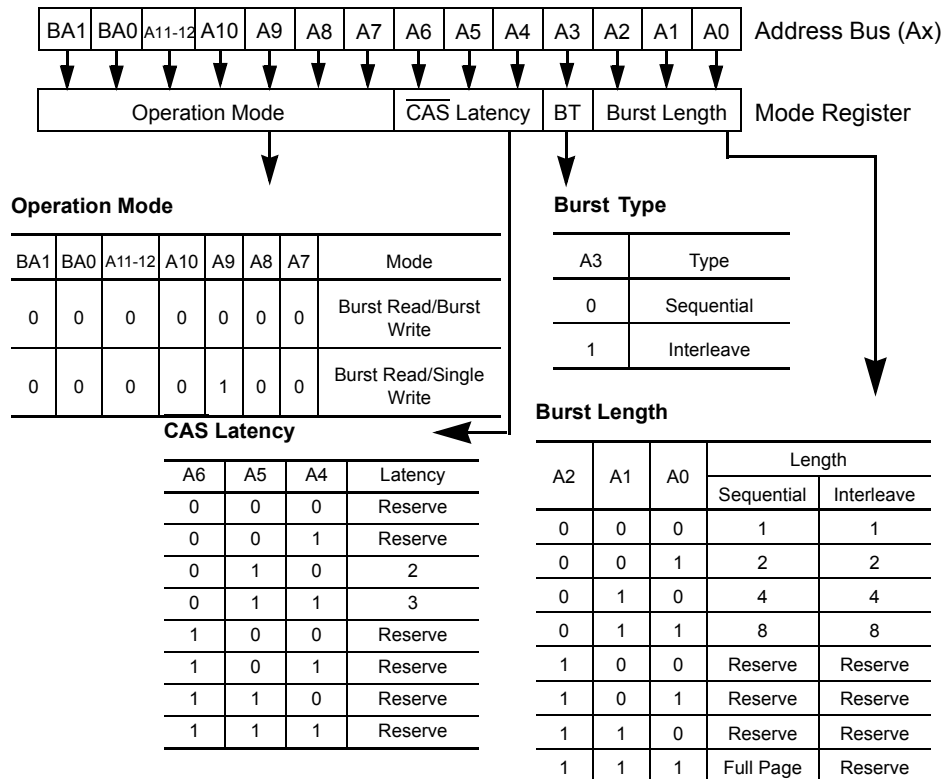
## ***Read and Write Operation***

When  $\overline{RAS}$  is low and both  $\overline{CAS}$  and  $\overline{WE}$  are high at the positive edge of the clock, a  $\overline{RAS}$  cycle starts. According to address data, a word line of the selected bank is activated and all of sense amplifiers associated to the wordline are set. A  $\overline{CAS}$  cycle is triggered by setting  $\overline{RAS}$  high and  $\overline{CAS}$  low at a clock timing after a necessary delay,  $t_{RCD}$ , from the  $\overline{RAS}$  timing.  $\overline{WE}$  is used to define either a read ( $\overline{WE} = H$ ) or a write ( $\overline{WE} = L$ ) at this stage.

SDRAM provides a wide variety of fast access modes. In a single CAS cycle, serial data read or write operations are allowed at up to a 166 MHz data rate. The numbers of serial data bits are the burst length programmed at the mode set operation, i.e., one of 1, 2, 4, 8 and full page. Column addresses are segmented by the burst length and serial data accesses are done within this boundary. The first column address to be accessed is supplied at the CAS timing and the subsequent addresses are generated automatically by the programmed burst length and its sequence. For example, in a burst length of 8 with interleave sequence; if the first address is '2', then the rest of the burst sequence is 3, 0, 1, 6, 7, 4, and 5.

Full page burst operation is only possible using sequential burst type. Full Page burst operation does not terminate once the burst length has been reached. (At the end of the page, it will wrap to the start address and continue.) In other words, unlike burst length of 2, 4, and 8, full page burst continues until it is terminated using another command.

### Address Input for Mode Set (Mode Register Operation)



Similar to the page mode of conventional DRAM's, burst read or write accesses on any column address are possible once the  $\overline{\text{RAS}}$  cycle latches the sense amplifiers. The maximum  $t_{\text{RAS}}$  or the refresh interval time limits the number of random column accesses. A new burst access can be done even before the previous burst ends. The interrupt operation at every clock cycles is supported. When the previous burst is interrupted, the remaining addresses are overridden by the new address with the full burst length. An interrupt which accompanies with an operation change from a read to a write is possible by exploiting DQM to avoid bus contention.

When two or more banks are activated sequentially, interleaved bank read or write operations are possible. With the programmed burst length, alternate access and precharge operations on two or more banks can realize fast serial data access modes among many different pages. Once two or more banks are activated, column to column interleave operation can be done between different pages.



# AS4C32M16SA

512Mbit Single-Data-Rate (SDR) SDRAM  
32Mx16(8M x 16 x 4 Banks)

### Burst Length and Sequence:

Burst Length	Starting Address (A2 A1 A0)	Sequential Burst Addressing (decimal)	Interleave Burst Addressing (decimal)
2	xx0	0, 1	0, 1
	xx1	1, 0	1, 0
4	x00	0, 1, 2, 3	0, 1, 2, 3
	x01	1, 2, 3, 0	1, 0, 3, 2
	x10	2, 3, 0, 1	2, 3, 0, 1
	x11	3, 0, 1, 2	3, 2, 1, 0
8	000	0 1 2 3 4 5 6 7	0 1 2 3 4 5 6 7
	001	1 2 3 4 5 6 7 0	1 0 3 2 5 4 7 6
	010	2 3 4 5 6 7 0 1	2 3 0 1 6 7 4 5
	011	3 4 5 6 7 0 1 2	3 2 1 0 7 6 5 4
	100	4 5 6 7 0 1 2 3	4 5 6 7 0 1 2 3
	101	5 6 7 0 1 2 3 4	5 4 7 6 1 0 3 2
	110	6 7 0 1 2 3 4 5	6 7 4 5 2 3 0 1
	111	7 0 1 2 3 4 5 6	7 6 5 4 3 2 1 0
Full Page	nnn	Cn, Cn+1, Cn+2....	not supported

### Refresh Mode

SDRAM has two refresh modes, Auto Refresh and Self Refresh. Auto Refresh is similar to the  $\overline{\text{CAS}}$ -before-RAS refresh of conventional DRAMs. All of banks must be precharged before applying any refresh mode. An on-chip address counter increments the word and the bank addresses and no bank information is required for both refresh modes.

The chip enters the Auto Refresh mode, when  $\overline{\text{RAS}}$  and  $\overline{\text{CAS}}$  are held low and CKE and  $\overline{\text{WE}}$  are held high at a clock timing. The mode restores word line after the refresh and no external precharge command is necessary. A minimum t<sub>RC</sub> time is required between two automatic refreshes in a burst refresh mode. The same rule applies to any access command after the automatic refresh operation.

The chip has an on-chip timer and the Self Refresh mode is available. It enters the mode when  $\overline{\text{RAS}}$ ,  $\overline{\text{CAS}}$ , and CKE are low and  $\overline{\text{WE}}$  is high at a clock timing. All of external control signals including the clock are disabled. Returning CKE to high enables the clock and initiates the refresh exit operation. After the exit command, at least one t<sub>RC</sub> delay is required prior to any access command.

### DQM Function

DQM has two functions for data I/O read and write operations. During reads, when it turns to “high” at a clock timing, data outputs are disabled and become high impedance after two clock delay (DQM Data Disable Latency t<sub>DQZ</sub>). It also provides a data mask function for writes. When DQM is activated, the write operation at the next clock is prohibited (DQM Write Mask Latency t<sub>DQW</sub> = zero clocks).

### Power Down

In order to reduce standby power consumption, a power down mode is available. All banks must be precharged and the necessary Precharge delay (trp) must occur before the SDRAM can enter the Power Down mode. Once the Power Down mode is initiated by holding CKE low, all of the receiver circuits except CLK and CKE are gated off. The Power Down mode does not perform any refresh operations, therefore the device can't remain in Power Down mode longer than the Refresh period (tref) of the device. Exit from this mode is performed by taking CKE “high”. One clock delay is required for mode entry and exit.

Alliance Memory Inc. 511 Taylor Way, San Carlos, CA 94070 TEL: (650) 610-6800 FAX: (650) 620-9211  
Alliance Memory Inc. reserves the right to change products or specification without notice



# AS4C32M16SA

512Mbit Single-Data-Rate (SDR) SDRAM  
32Mx16(8M x 16 x 4 Banks)

## Auto Precharge

Two methods are available to precharge SDRAMs. In an automatic precharge mode, the CAS timing accepts one extra address, CA10, to determine whether the chip restores or not after the operation. If CA10 is high when a Read Command is issued, the **Read with Auto-Precharge** function is initiated. The SDRAM automatically enters the precharge operation one clock before the last data out for CAS latencies 2, two clocks for CAS latencies 3 and three clocks for CAS latencies 4. If CA10 is high when a Write Command is issued, the **Write with Auto-Precharge** function is initiated. The SDRAM automatically enters the precharge operation a time delay equal to  $t_{WR}$  (Write recovery time) after the last data in. **Auto-Precharge** does not apply to full-page burst mode.

## Precharge Command

There is also a separate precharge command available. When  $\overline{RAS}$  and  $\overline{WE}$  are low and  $\overline{CAS}$  is high at a clock timing, it triggers the precharge operation. Three address bits, BA0, BA1 and A10 are used to define banks as shown in the following list. The precharge command can be imposed one clock before the last data out for CAS latency = 2, two clocks before the last data out for CAS latency = 3. Writes require a time delay  $t_{wr}$  from the last data out to apply the precharge command. A full-page burst may be truncated with a Precharge command to the same bank.

Bank Selection by Address Bits:

A10	BA0	BA1	
0	0	0	Bank 0
0	0	1	Bank 1
0	1	0	Bank 2
0	1	1	Bank 3
1	X	X	all Banks

## Burst Termination

Once a burst read or write operation has been initiated, there are several methods in which to terminate the burst operation prematurely. These methods include using another Read or Write Command to interrupt an existing burst operation, use a Precharge Command to interrupt a burst cycle and close the active bank, or using the Burst Stop Command to terminate the existing burst operation but leave the bank open for future Read or Write Commands to the same page of the active bank. When interrupting a burst with another Read or Write Command care must be taken to avoid I/O contention. The Burst Stop Command, however, has the fewest restrictions making it the easiest method to use when terminating a burst operation before it has been completed. If a Burst Stop command is issued during a burst write operation, then any residual data from the burst write cycle will be ignored. Data that is presented on the I/O pins before the Burst Stop Command is registered will be written to the memory. The full-page burst is used in conjunction with Burst Terminate Command to generate arbitrary burst lengths.



# AS4C32M16SA

512Mbit Single-Data-Rate (SDR) SDRAM  
32Mx16(8M x 16 x 4 Banks)

### Recommended Operation and Characteristics for LV-TTL

$V_{SS} = 0\text{ V}$ ;  $V_{CC}, V_{CCQ} = 3.3\text{ V} \pm 0.3\text{ V}$

Parameter	Symbol	Limit Values		Unit	Notes
		min.	max.		
Input high voltage	$V_{IH}$	2.0	$V_{CC}+0.3$	V	1, 2
Input low voltage	$V_{IL}$	-0.3	0.8	V	1, 2
Output high voltage ( $I_{OUT} = -4.0\text{ mA}$ )	$V_{OH}$	2.4	-	V	
Output low voltage ( $I_{OUT} = 4.0\text{ mA}$ )	$V_{OL}$	-	0.4	V	
Input leakage current, any input ( $0\text{ V} < V_{IN} < 3.6\text{ V}$ , all other inputs = $0\text{ V}$ )	$I_{I(L)}$	-2	2	$\mu\text{A}$	
Output leakage current (DQ is disabled, $0\text{ V} < V_{OUT} < V_{CC}$ )	$I_{O(L)}$	-2	2	$\mu\text{A}$	

**Note:**

All voltages are referenced to  $V_{SS}$ .

$V_{IH}$  may overshoot to  $V_{CC} + 2.0\text{ V}$  for pulse width of  $< 4\text{ ns}$  with  $3.3\text{ V}$ .  $V_{IL}$  may undershoot to  $-2.0\text{ V}$  for pulse width  $< 4.0\text{ ns}$  with  $3.3\text{ V}$ . Pulse width measured at 50% points with amplitude measured peak to DC reference.



# AS4C32M16SA

512Mbit Single-Data-Rate (SDR) SDRAM  
32Mx16(8M x 16 x 4 Banks)

### Operating Currents

$V_{CC} = 3.3\text{ V} \pm 0.3\text{ V}$  ( Recommended Operating Conditions unless otherwise noted )

Symbol	Parameter & Test Condition		Max.	Unit	Note
			-7		
ICC1	Operating Current $t_{RC}, t_{RCMIN}, t_{RC}, t_{CKMIN}$ Active-precharge command cycling, without Burst Operation	1 bank operation	240	mA	1
ICC2P	Precharge Standby Current in Power Down Mode	$t_{CK} = \text{min.}$	7	mA	1
ICC2PS	$CS = V_{IH}, CKE \leq V_{IL(max)}$	$t_{CK} = \text{Infinity}$	5	mA	1
ICC2N	Precharge Standby Current in Non-Power Down Mode	$t_{CK} = \text{min.}$	58	mA	
ICC2NS	$CS = V_{IH}, CKE \geq V_{IL(max)}$	$t_{CK} = \text{Infinity}$	48	mA	
ICC3N	No Operating Current	$CKE \geq V_{IH(MIN.)}$	75	mA	
ICC3P	$t_{CK} = \text{min.}, CS = V_{IH(min)}$ bank ; active state ( 4 banks)	$CKE \leq V_{IL(MAX.)}$ (Power down mode)	35	mA	
ICC4	Burst Operating Current $t_{CK} = \text{min}$ Read/Write command cycling		170	mA	1,2
ICC5	Auto Refresh Current $t_{CK} = \text{min}$ Auto Refresh command cycling		160	mA	1
ICC6	Self Refresh Current Self Refresh Mode, $CKE \leq 0.2V$		6	mA	

**Notes:**

These parameters depend on the cycle rate and these values are measured by the cycle rate under the minimum value of  $t_{CK}$  and  $t_{RC}$ . Input signals are changed one time during  $t_{CK}$ .  
These parameter depend on output loading. Specified values are obtained with output open.



# AS4C32M16SA

512Mbit Single-Data-Rate (SDR) SDRAM  
32Mx16(8M x 16 x 4 Banks)

## AC Characteristics <sup>1,2,3</sup>

V<sub>SS</sub> = 0 V; V<sub>CC</sub> = 3.3 V ± 0.3 V, t<sub>T</sub> = 1 ns

#	Symbol	Parameter	Limit Values		Unit	Note
			-7			
			Min.	Max.		

### Clock and Clock Enable

1	CK	Clock Cycle Time	7	–	ns	
		CAS Latency = 3	10	–	ns	
2	CK	Clock Frequency	–	143	MHz	
		CAS Latency = 3	–	100	MHz	
3	AC	Access Time from Clock	–	5.4	ns	2, 3
		CAS Latency = 3	–	6	ns	
4	CH	Clock High Pulse Width	2.5	–	ns	
5	CL	Clock Low Pulse Width	2.5	–	ns	
6	T	Transition Time	0.3	1.5	ns	

### Setup and Hold Times

7	IS	Input Setup Time	1.5	–	ns	4
8	IH	Input Hold Time	0.8	–	ns	4
9	CKS	CKE Setup Time	1.5	–	ns	4
10	CKH	CKE Hold Time	0.8	–	ns	4
11	MRD	Mode Register Set Command Cycle Time	2	–	CLK	
12	SB	Power Down Mode Entry Time	0	7	ns	
13	DS	Data-in Setup Time	1.5	–	ns	
14	DH	Data-in Hold Time	0.8	–	ns	





# AS4C32M16SA

512Mbit Single-Data-Rate (SDR) SDRAM  
32Mx16(8M x 16 x 4 Banks)

### Common Parameters

15	RCD	Row to Column Delay Time	15	-	ns	5
16	RP	Row Precharge Time	15	-	ns	5
17	RAS	Row Active Time	45	100K	ns	5
18	RC	Row Cycle Time	65	-	ns	5
19	RRD	Activate(a) to Activate(b) Command Period	15	-	ns	5
20	CCD	CAS(a) to CAS(b) Command Period	1	-	CLK	
21	DPL	Data-in to Precharge Command for Manual precharge	2	-	CLK	

### Refresh Cycle

22	REF	Refresh Period (8192 cycles)	-	64	ms	
23	SREX	Self Refresh Exit Time	1	-	CLK	

### Read Cycle

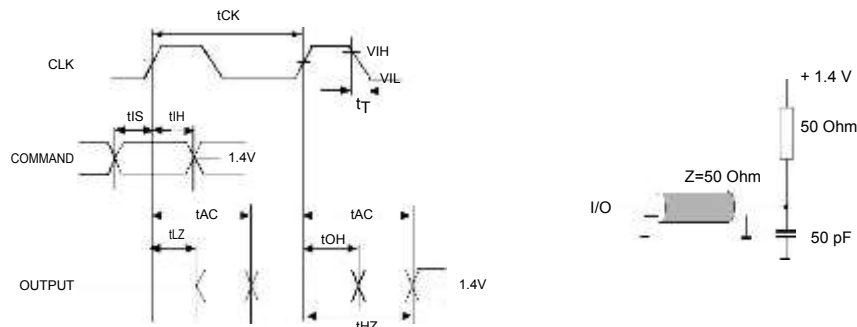
#	Symbol	Parameter	Limit Values		Unit	Note
			-7			
			Min.	Max.		
24	OH	Data Out Hold Time	2.5	-	ns	2
25	LZ	Data Out to Low Impedance Time	1	-	ns	
26	HZ	Data Out to High Impedance Time	3	7	ns	6
27	DQZ	DQM Data Out Disable Latency	-	2	CLK	

### Write Cycle

28	WR	Write Recovery Time for Auto precharge	2	-	CLK	
29	DQW	DQM Write Mask Latency	0	-	CLK	

### Notes for AC Parameters:

1. For proper power-up see the operation section of this data sheet.
2. AC timing tests have  $V_{IL} = 0.4V$  and  $V_{IH} = 2.4V$  with the timing referenced to the 1.4 V crossover point. The transition time is measured between  $V_{IH}$  and  $V_{IL}$ . All AC measurements assume  $t_T = 1ns$  with the AC output load circuit shown in Figure 1.



**Figure 1.**

3. If clock rising time is longer than 1 ns, a time  $(t_T/2 - 0.5)$  ns has to be added to this parameter.
4. If  $t_T$  is longer than 1 ns, a time  $(t_T - 1)$  ns has to be added to this parameter.
5. These parameter account for the number of clock cycle and depend on the operating frequency of the clock, as follows:

*the number of clock cycle = specified value of timing period (counted in fractions as a whole number)*

Self Refresh Exit is a synchronous operation and begins on the 2nd positive clock edge after CKE returns high. Self Refresh Exit is not complete until a time period equal to  $t_{RC}$  is satisfied once the Self Refresh Exit command is registered.

6. Referenced to the time which the output achieves the open circuit condition, not to output voltage levels.

## *Timing Diagrams*

1. Bank Activate Command Cycle
2. Burst Read Operation
3. Read Interrupted by a Read
4. Read to Write Interval
  - 4.1 Read to Write Interval
  - 4.2 Minimum Read to Write Interval
  - 4.3 Non-Minimum Read to Write Interval
5. Burst Write Operation
6. Write and Read Interrupt
  - 6.1 Write Interrupted by a Write
  - 6.2 Write Interrupted by Read
7. Burst Write & Read with Auto-Precharge
  - 7.1 Burst Write with Auto-Precharge
  - 7.2 Burst Read with Auto-Precharge
8. Burst Termination
  - 8.1 Termination of a Burst Write Operation
  - 8.2 Termination of a Burst Write Operation
9. AC- Parameters
  - 9.1 AC Parameters for a Write Timing
  - 9.2 AC Parameters for a Read Timing
10. Mode Register Set
11. Power on Sequence and Auto Refresh (CBR)
12. Power Down Mode
13. Self Refresh (Entry and Exit)
14. Auto Refresh (CBR)

---

---

**Timing Diagrams** (Cont'd)

## 15. Random Column Read ( Page within same Bank)

15.1  $\overline{\text{CAS}}$  Latency = 215.2  $\overline{\text{CAS}}$  Latency = 3

## 16. Random Column Write ( Page within same Bank)

16.1  $\overline{\text{CAS}}$  Latency = 216.2  $\overline{\text{CAS}}$  Latency = 3

## 17. Random Row Read ( Interleaving Banks) with Precharge

17.1  $\overline{\text{CAS}}$  Latency = 217.2  $\overline{\text{CAS}}$  Latency = 3

## 18. Random Row Write ( Interleaving Banks) with Precharge

18.1  $\overline{\text{CAS}}$  Latency = 218.2  $\overline{\text{CAS}}$  Latency = 3

## 19. Precharge Termination of a Burst

19.1  $\overline{\text{CAS}}$  Latency = 219.2  $\overline{\text{CAS}}$  Latency = 3

## 20. Full Page Burst Operation

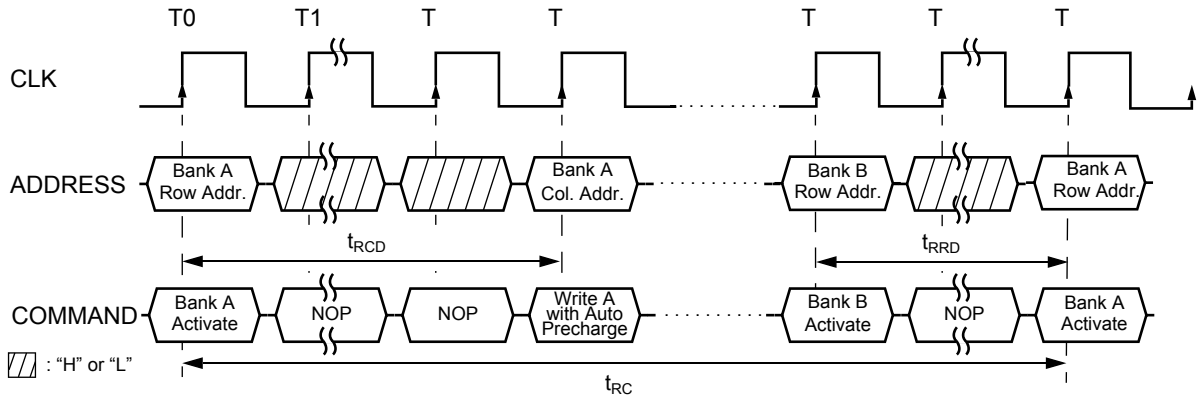
20.1 Full Page Burst Read,  $\overline{\text{CAS}}$  Latency = 220.2 Full Page Burst Read,  $\overline{\text{CAS}}$  Latency = 3

## 21. Full Page Burst Operation

21.1 Full Page Burst Write,  $\overline{\text{CAS}}$  Latency = 221.2 Full Page Burst Write,  $\overline{\text{CAS}}$  Latency = 3

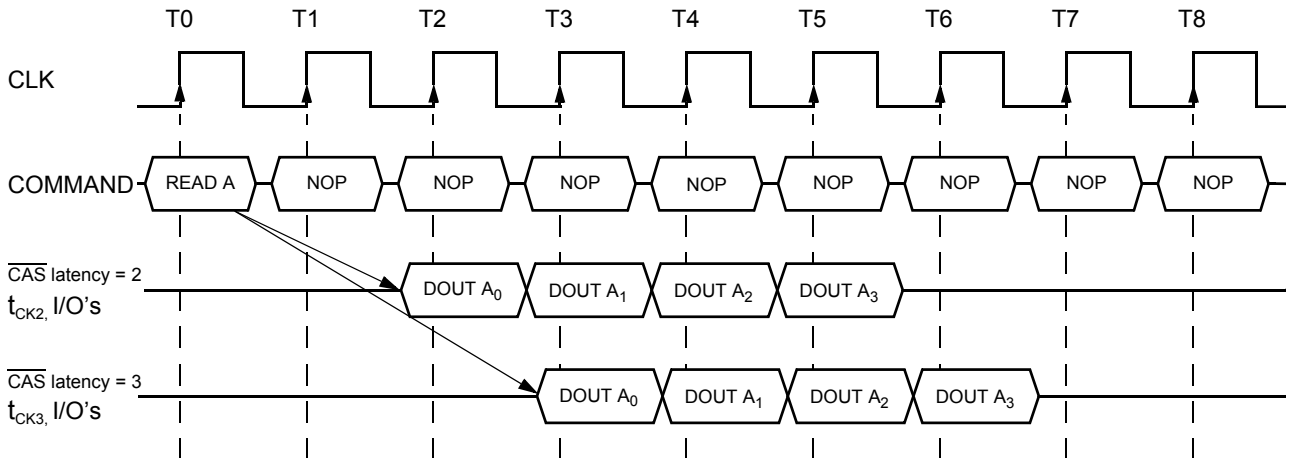
## 1. Bank Activate Command Cycle

(CAS latency = 3)



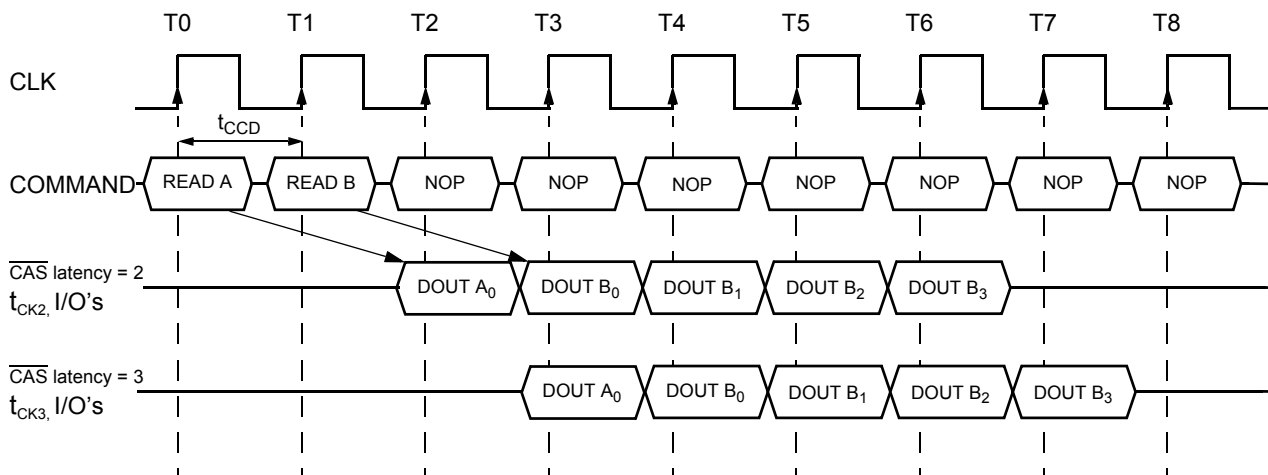
## 2. Burst Read Operation

(Burst Length = 4, CAS latency = 2, 3)



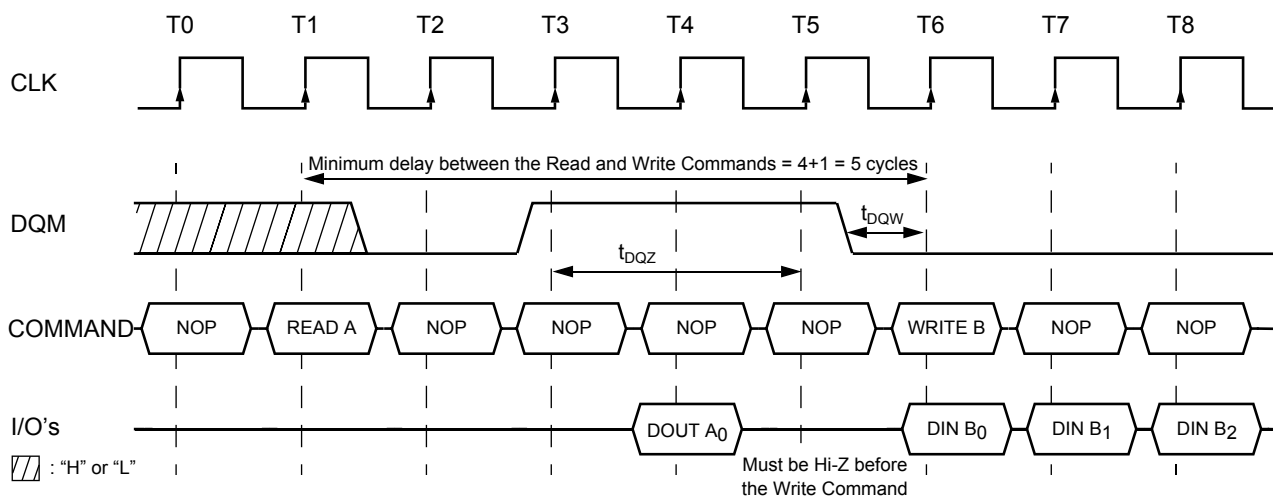
### 3. Read Interrupted by a Read

(Burst Length = 4,  $\overline{\text{CAS}}$  latency = 2, 3)



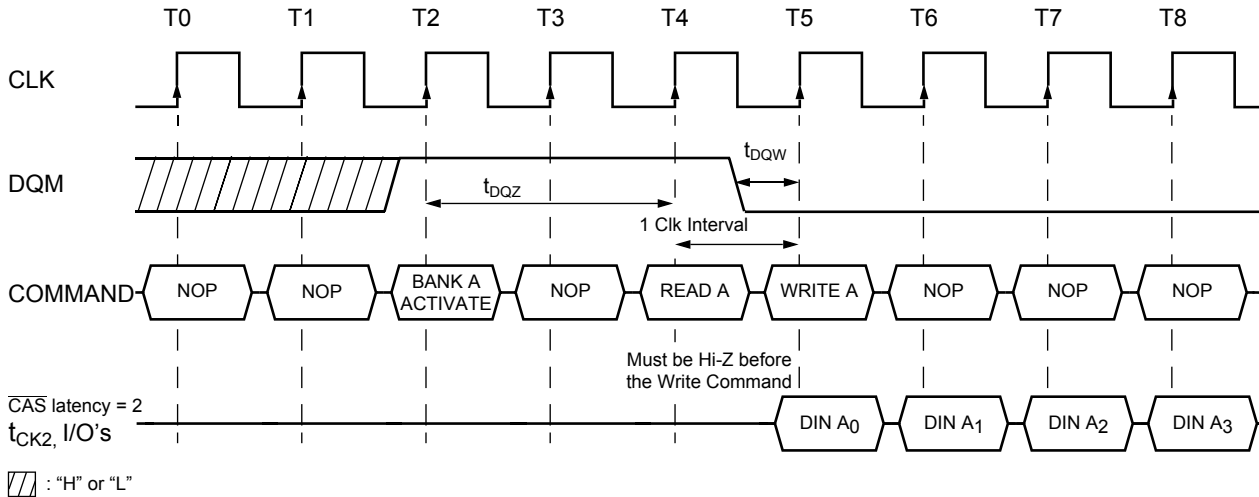
### 4.1 Read to Write Interval

(Burst Length = 4,  $\overline{\text{CAS}}$  latency = 3)



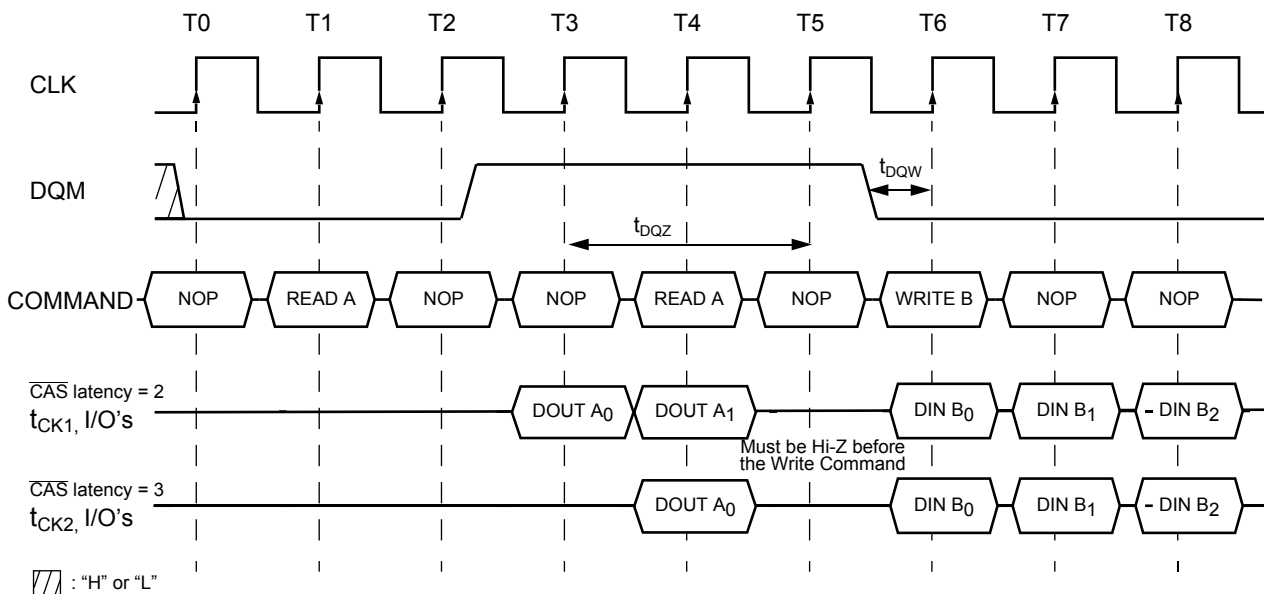
### 4.2 Minimum Read to Write Interval

(Burst Length = 4,  $\overline{\text{CAS}}$  latency = 2)



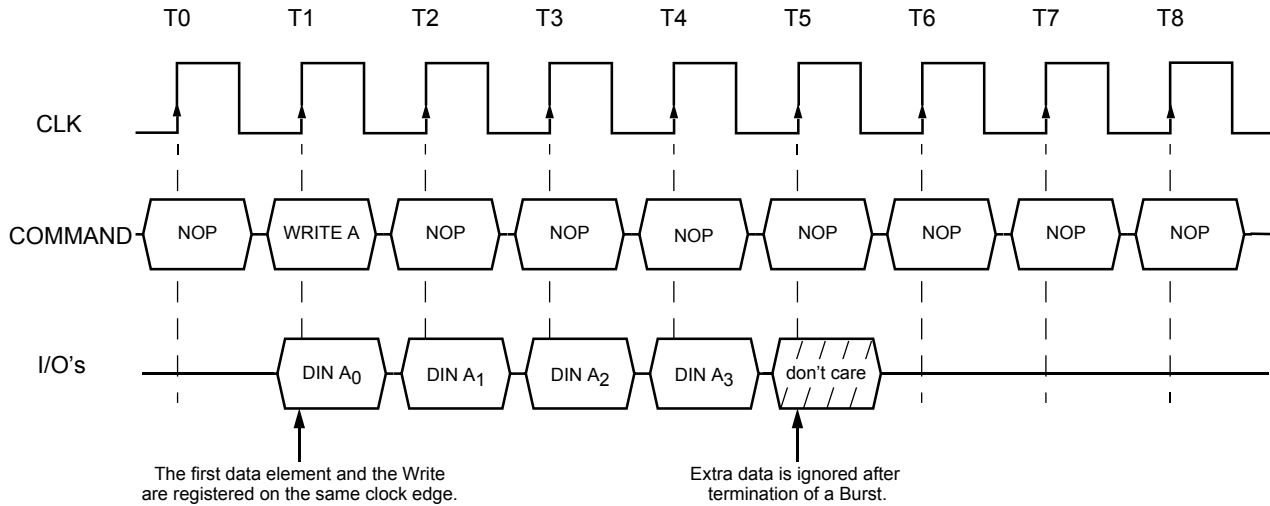
### 4.3 Non-Minimum Read to Write Interval

(Burst Length = 4,  $\overline{\text{CAS}}$  latency = 2, 3)



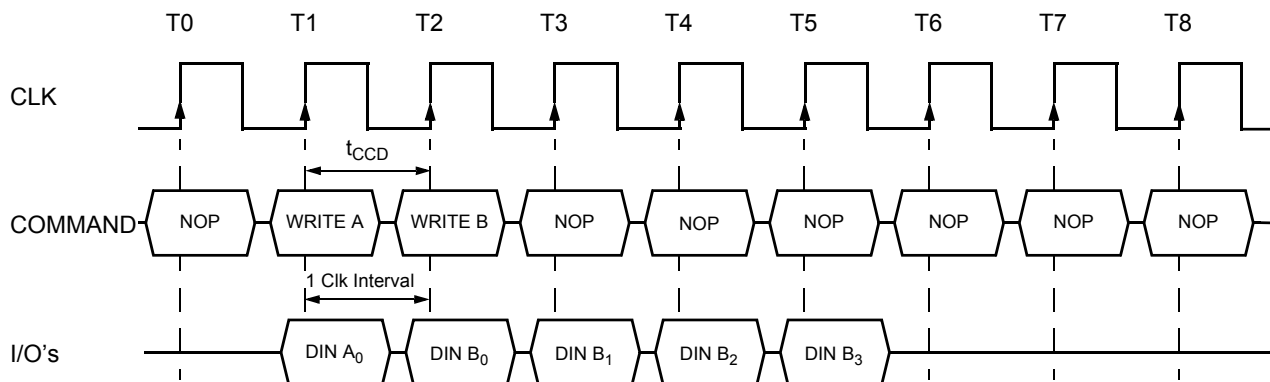
## 5. Burst Write Operation

(Burst Length = 4,  $\overline{\text{CAS}}$  latency = 2, 3)



## 6.1 Write Interrupted by a Write

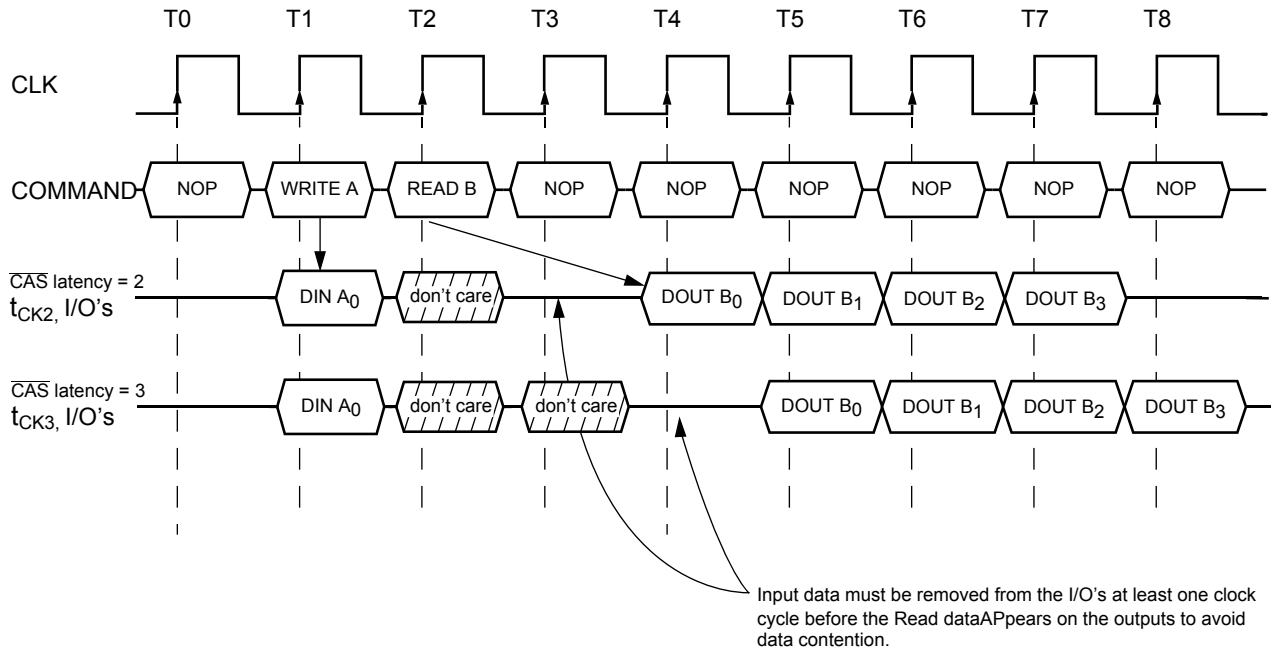
(Burst Length = 4,  $\overline{\text{CAS}}$  latency = 2, 3)





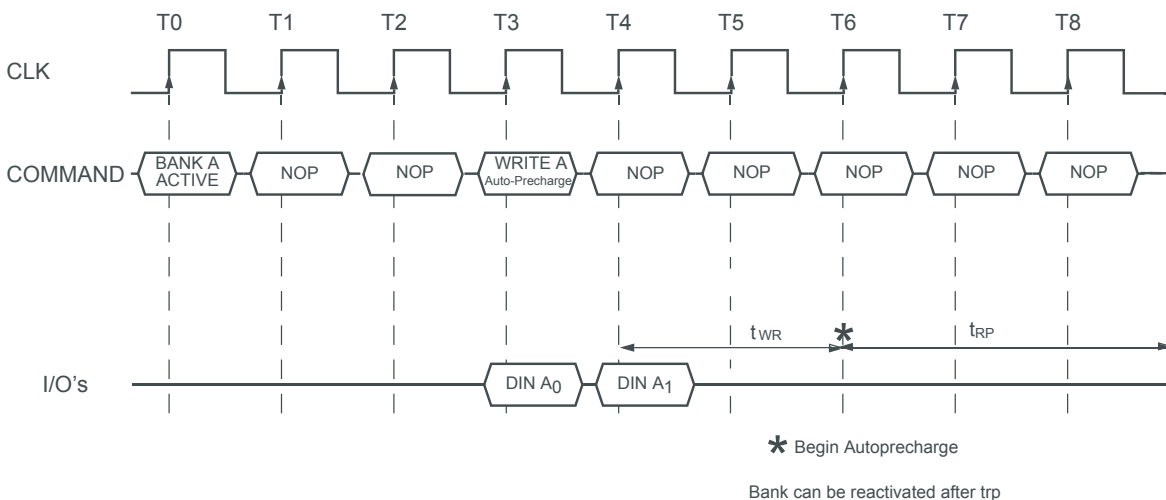
## 6.2 Write Interrupted by a Read

(Burst Length = 4,  $\overline{\text{CAS}}$  latency = 2, 3)



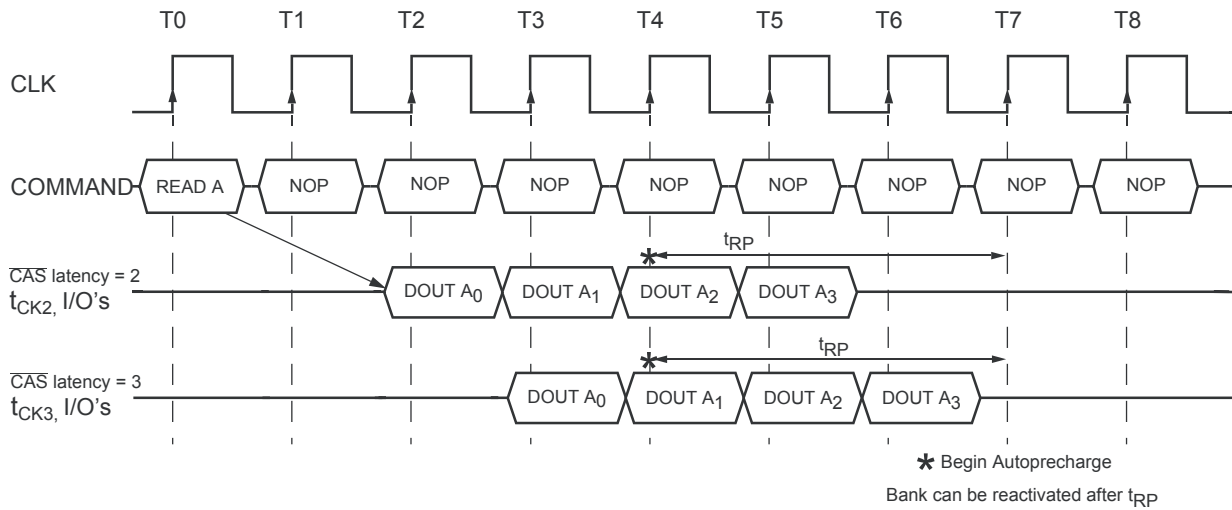
## 7.1 Burst Write with Auto-Precharge

Burst Length = 2,  $\overline{\text{CAS}}$  latency = 2, 3)



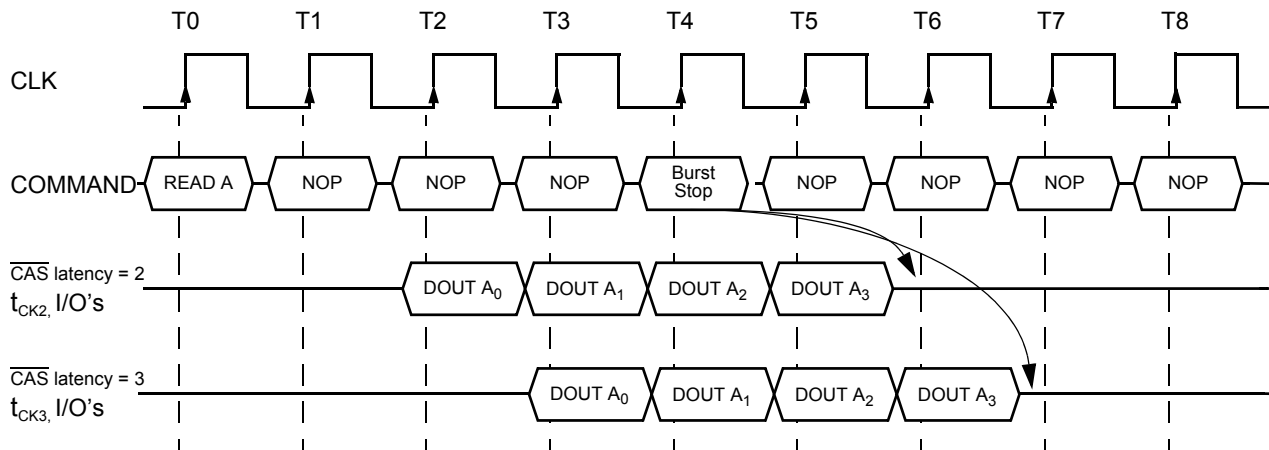
## 7.2 Burst Read with Auto-Precharge

Burst Length = 4,  $\overline{\text{CAS}}$  latency = 2, 3)



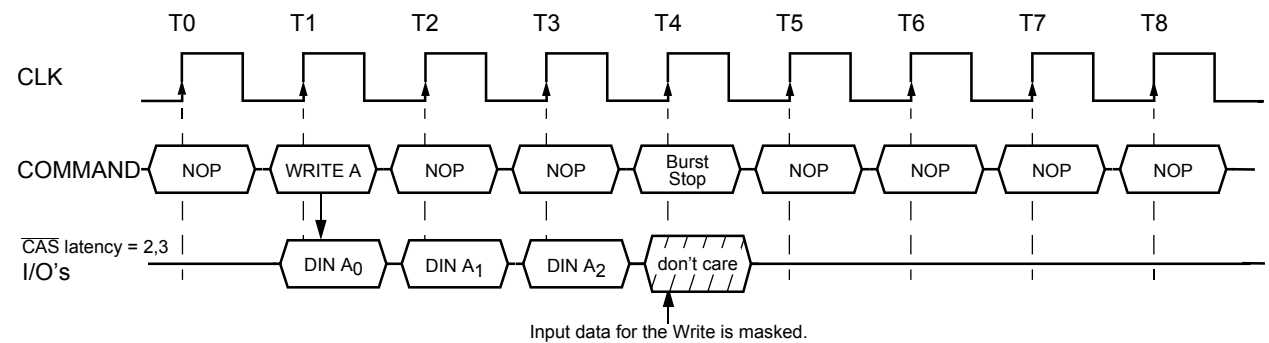
### 8.1 Termination of a Burst Read Operation

(CAS latency = 2, 3)



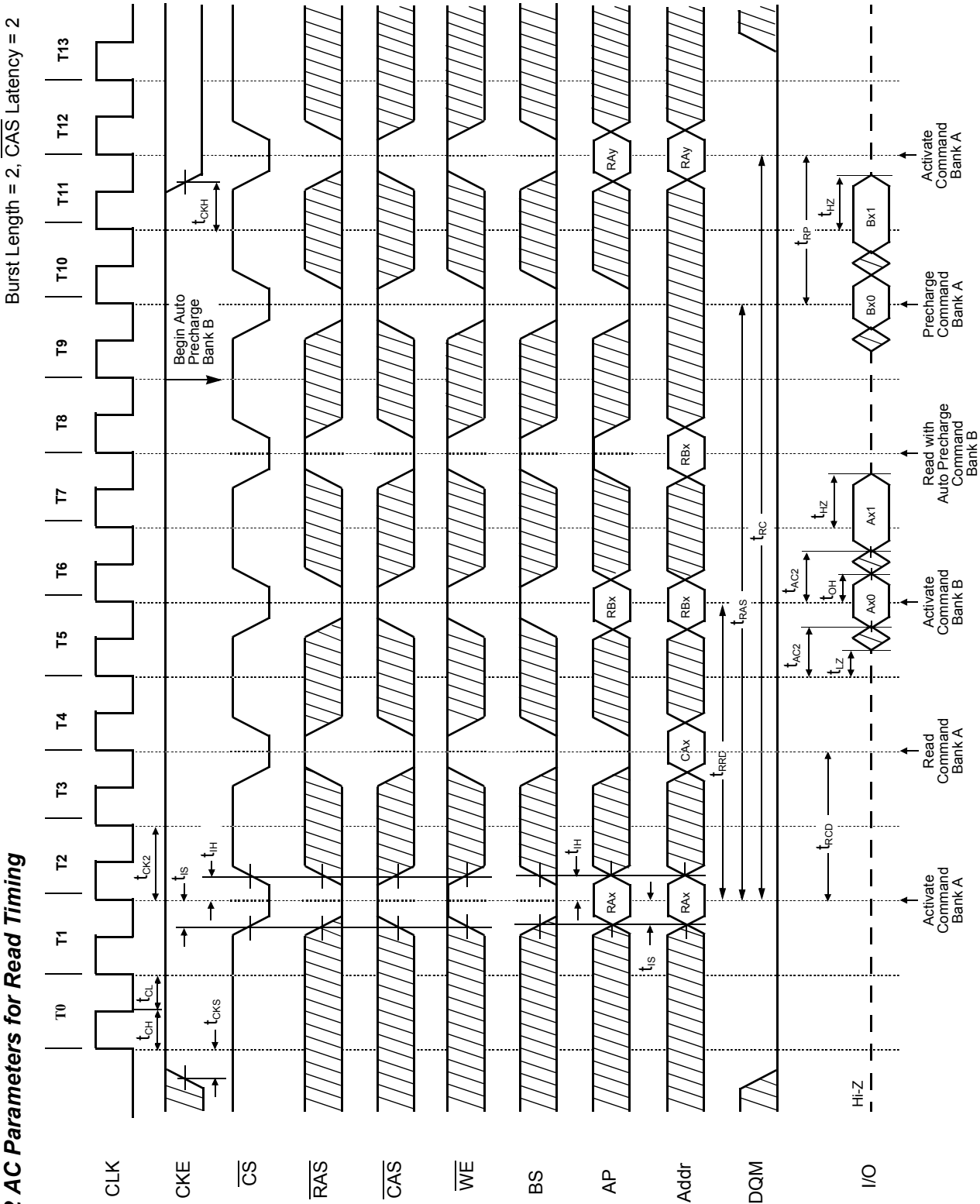
### 8.2 Termination of a Burst Write Operation

(CAS latency = 2, 3)

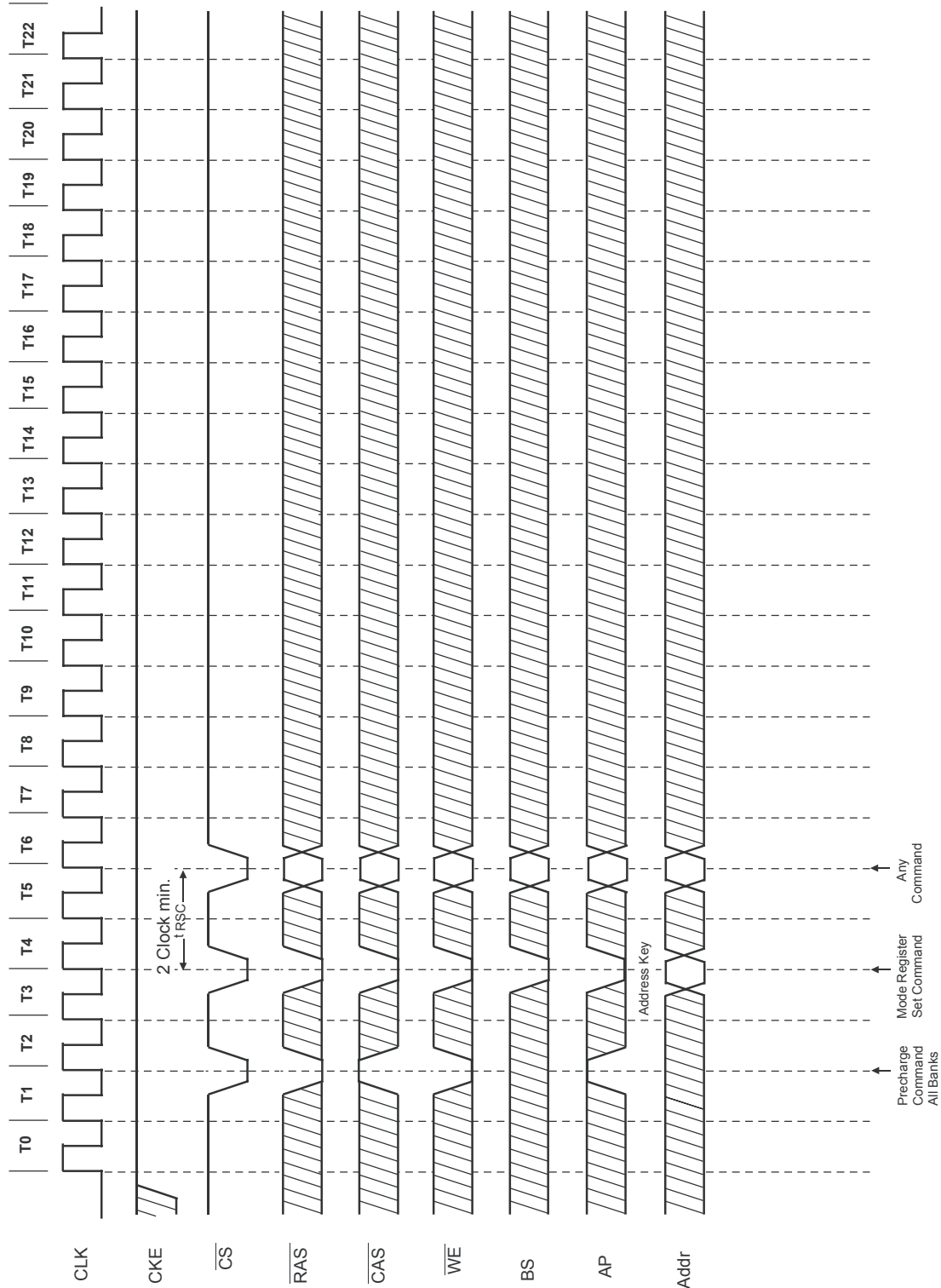




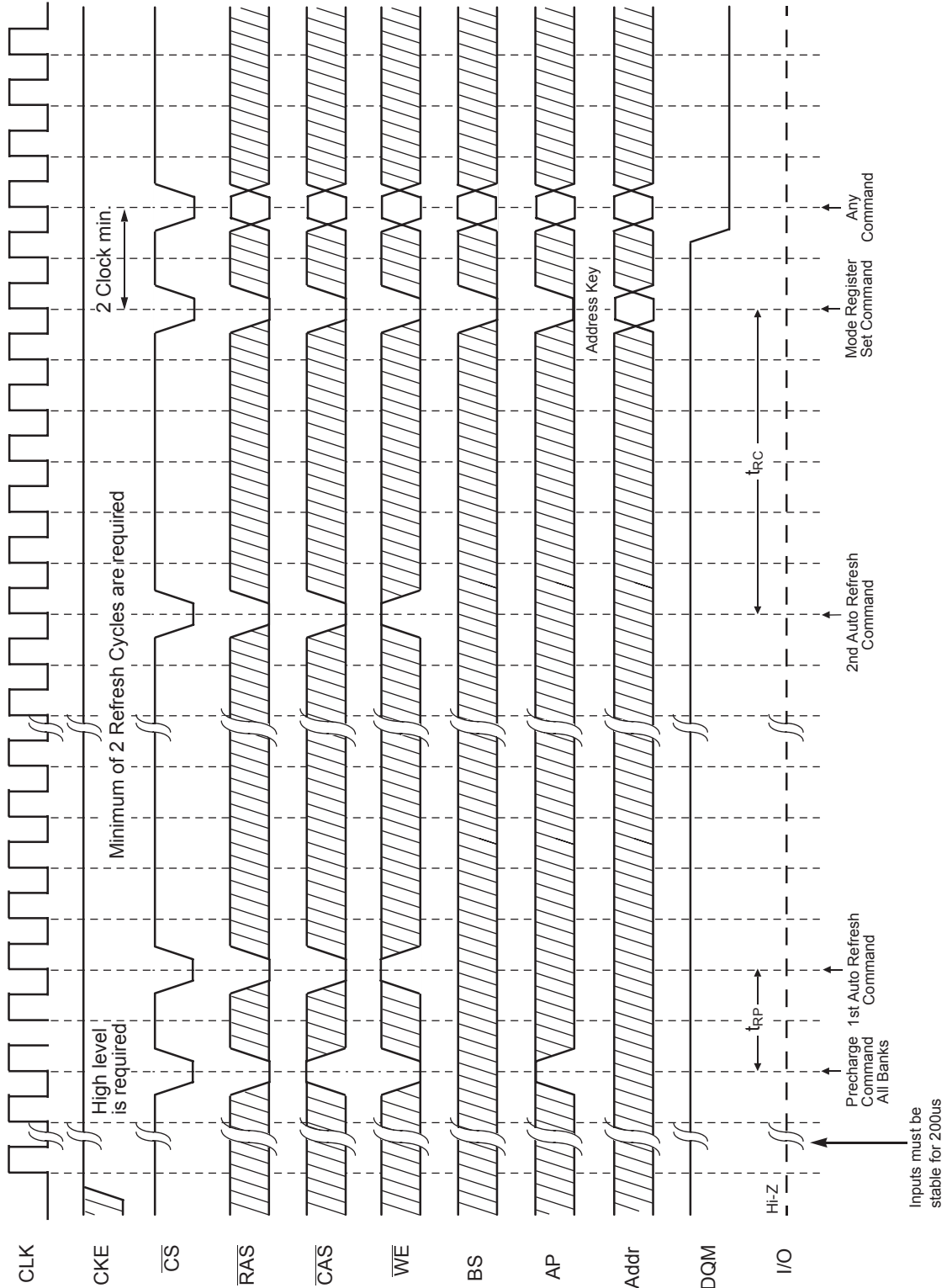
## 9.2 AC Parameters for Read Timing



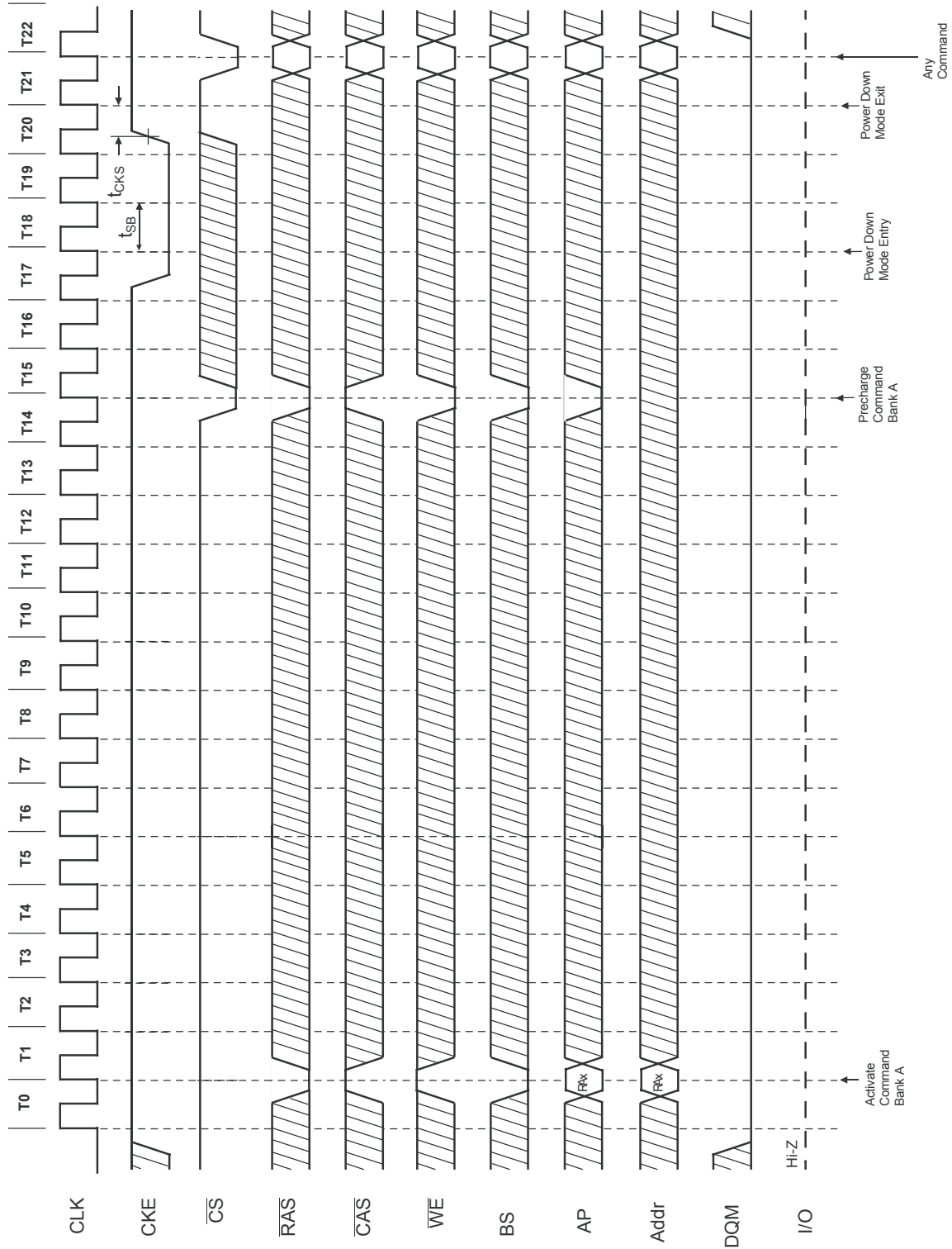
### 10. Mode Register Set



### 11. Power on Sequence and Auto Refresh (CBR)

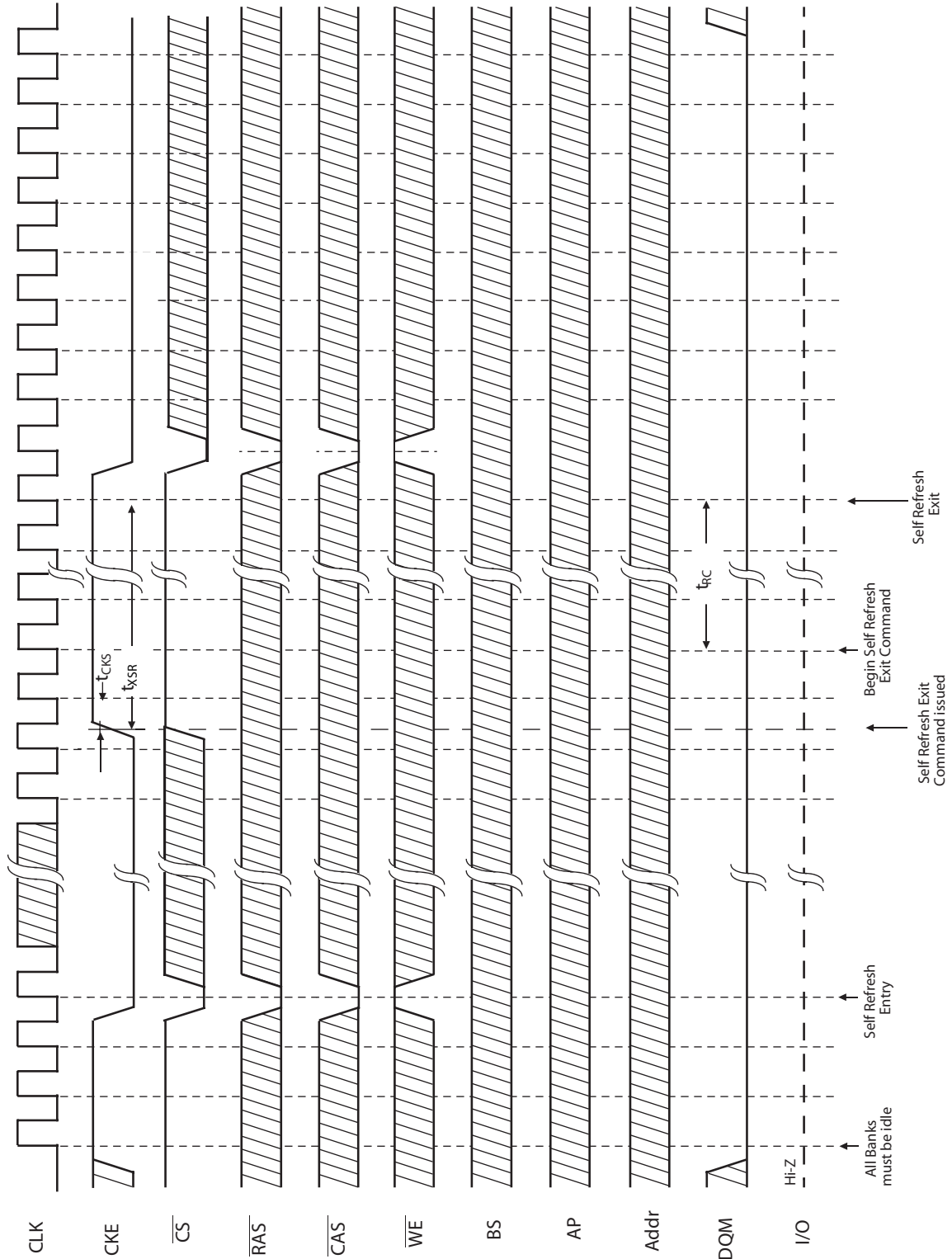


**12. Power Down Mode** Burst Length = 4, CAS Latency = 2

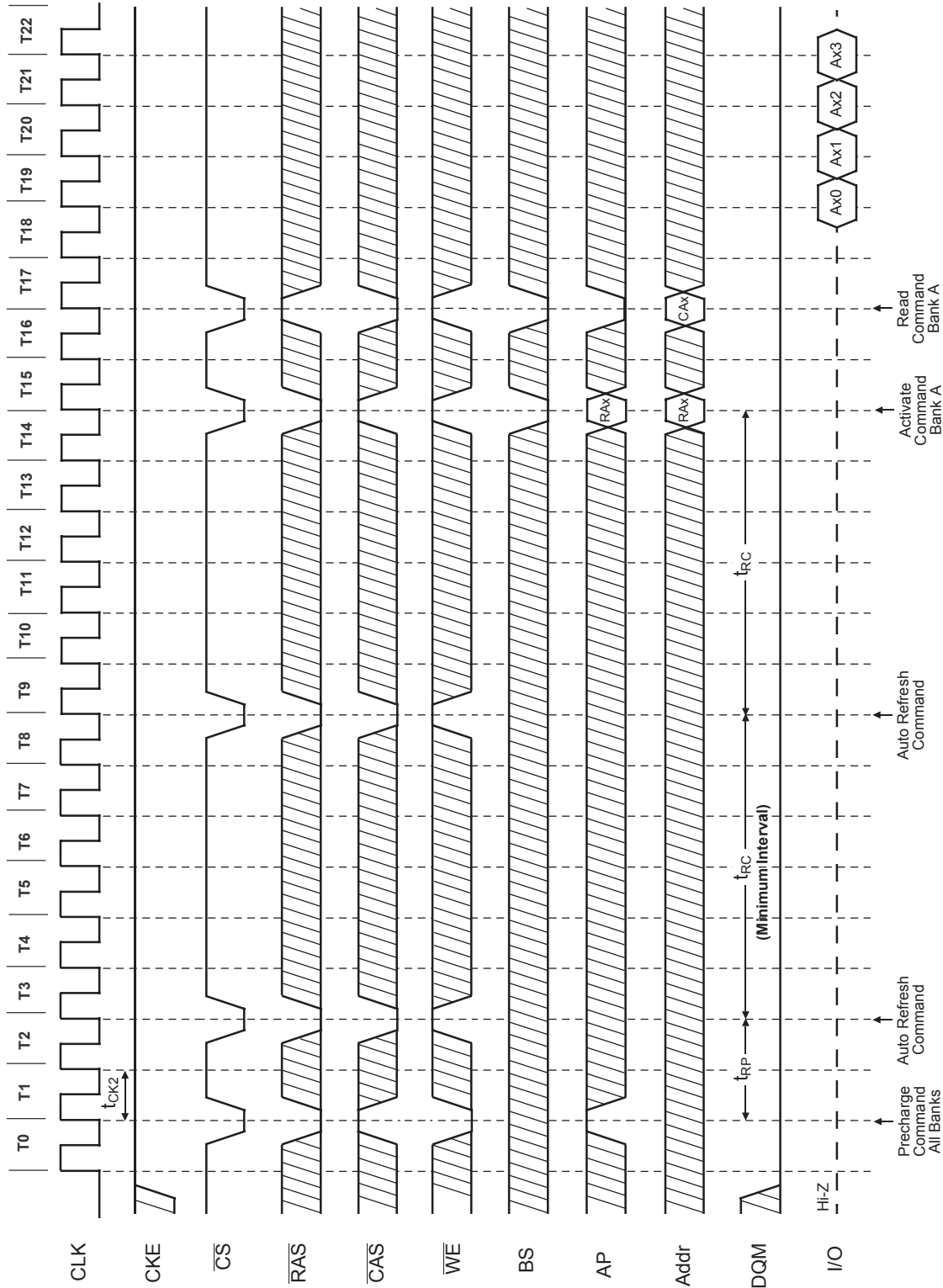




### 13. Self Refresh (Entry and Exit)

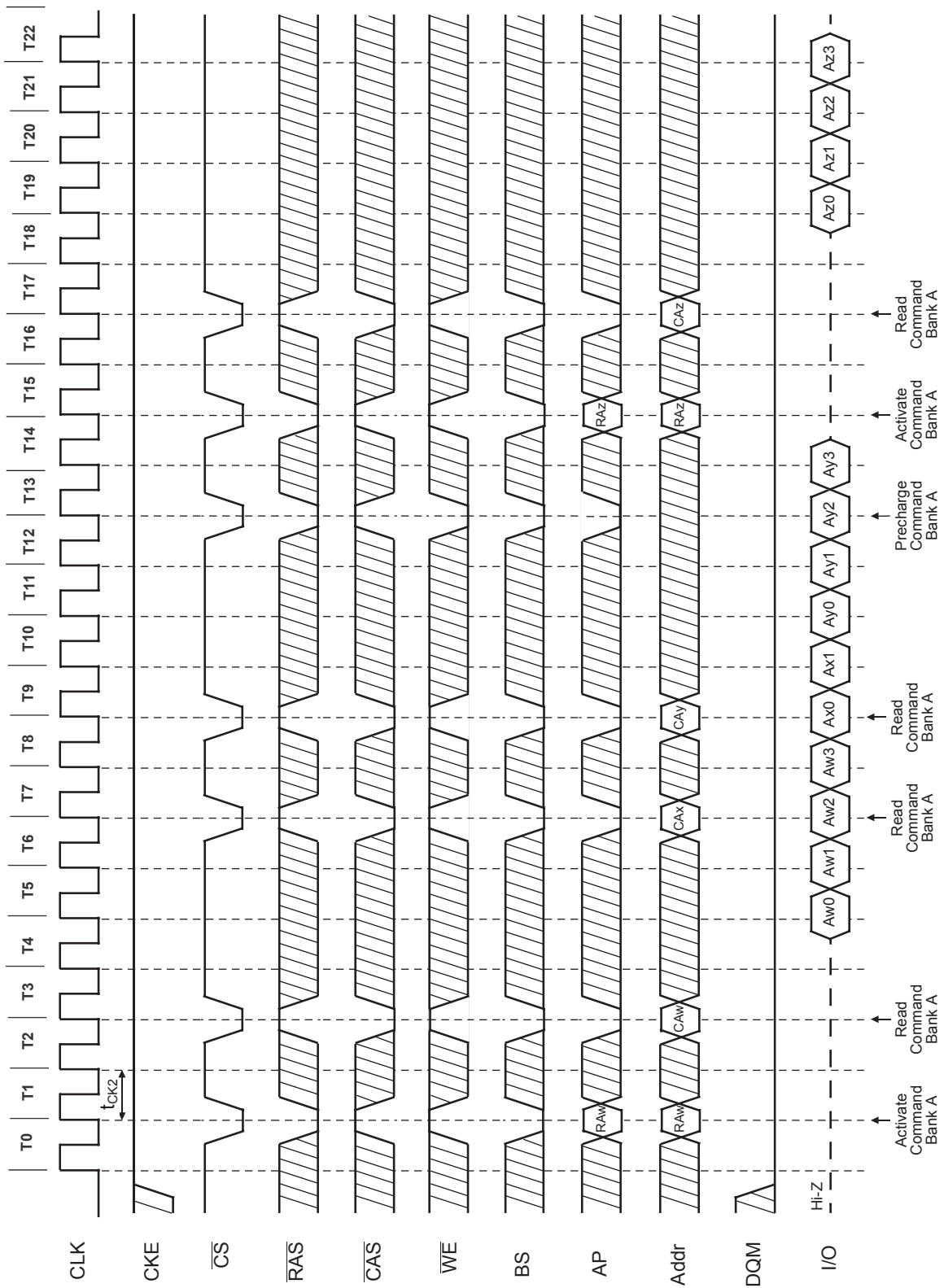


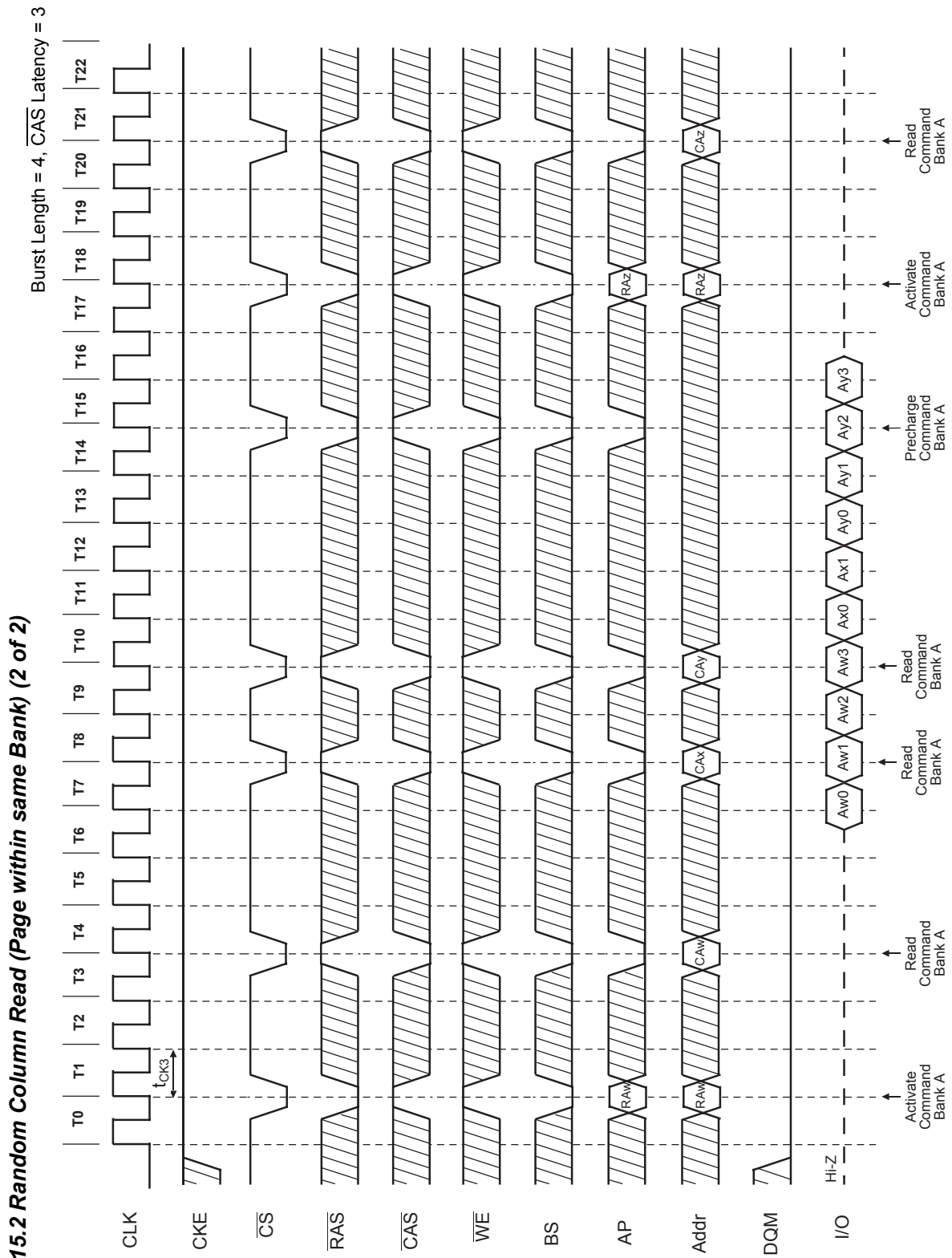
**14. Auto Refresh (CBR)** Burst Length = 4, CAS Latency = 2



### 15.1 Random Column Read (Page within same Bank) (1 of 2)

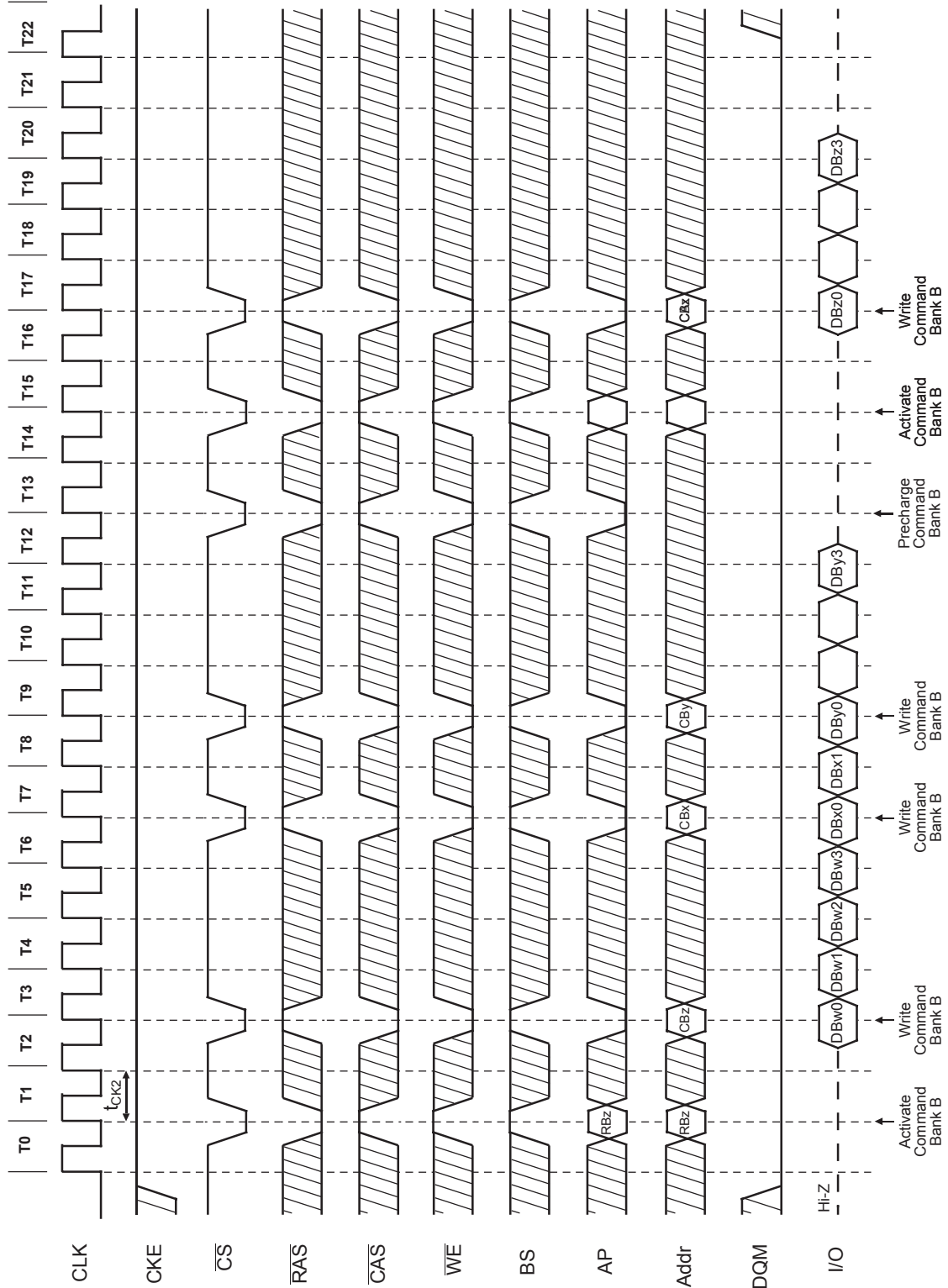
Burst Length = 4, CAS Latency = 2

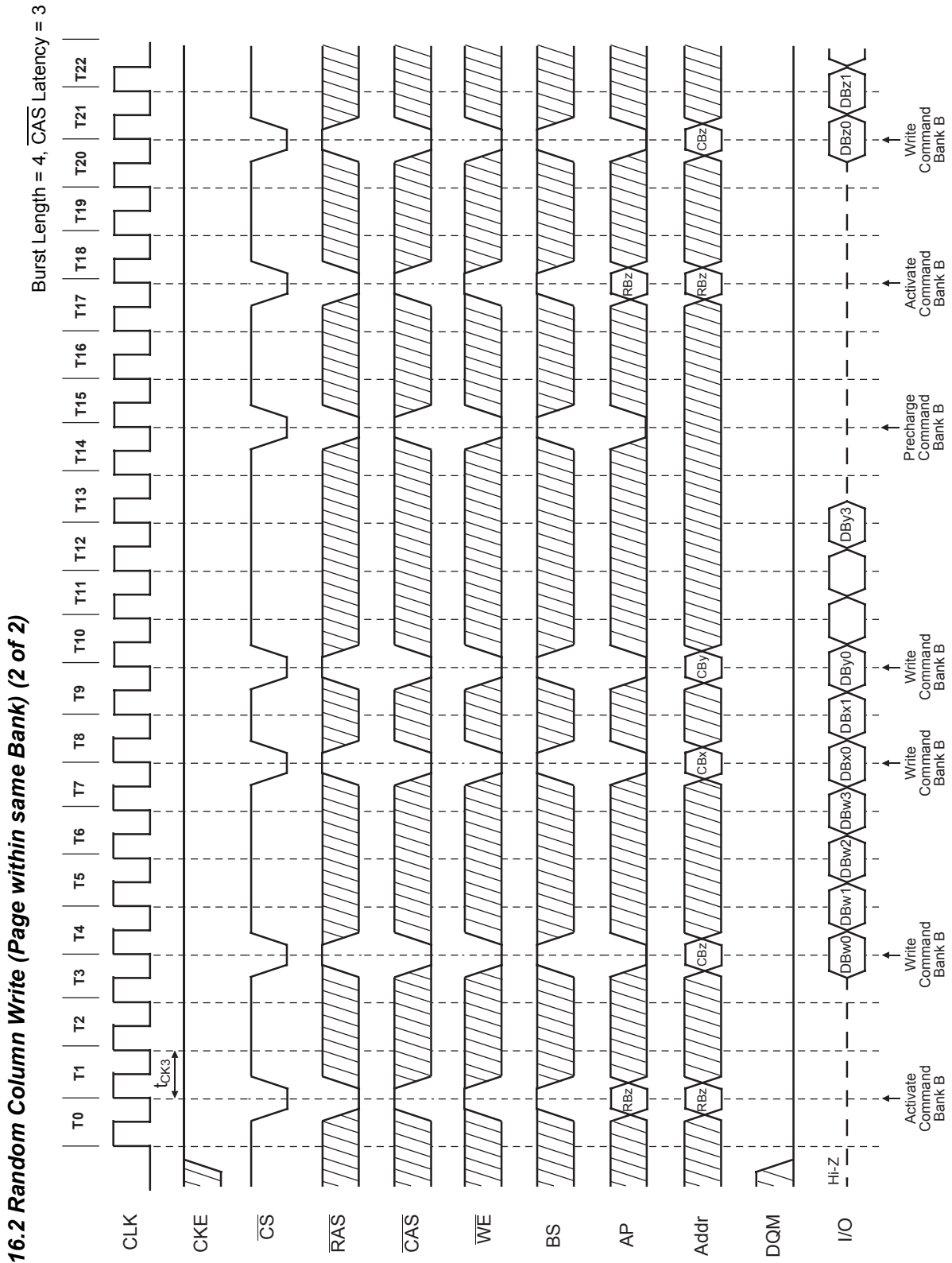




Burst Length = 4, CAS Latency = 2

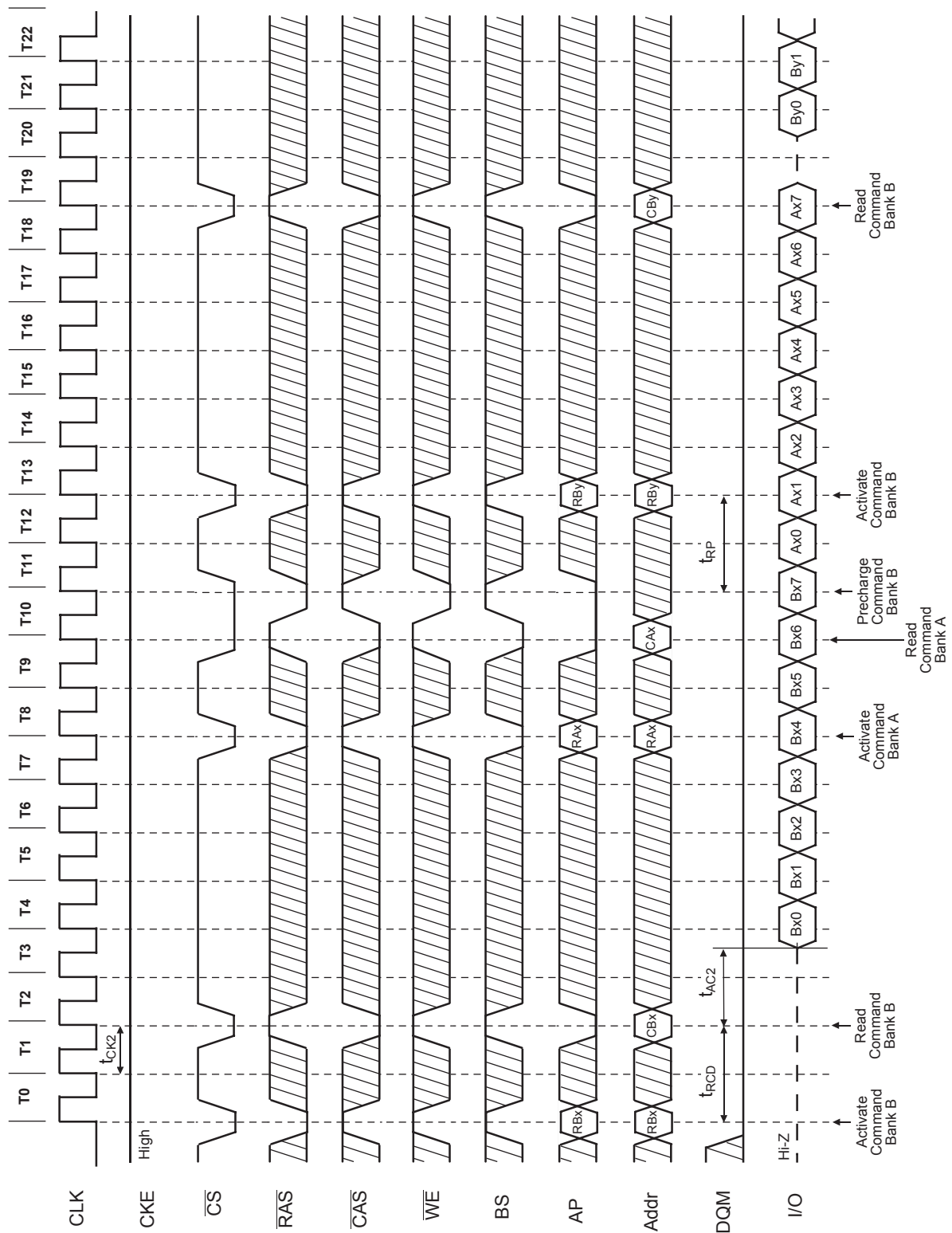
### 16.1 Random Column Write (Page within same Bank) (1 of 2)





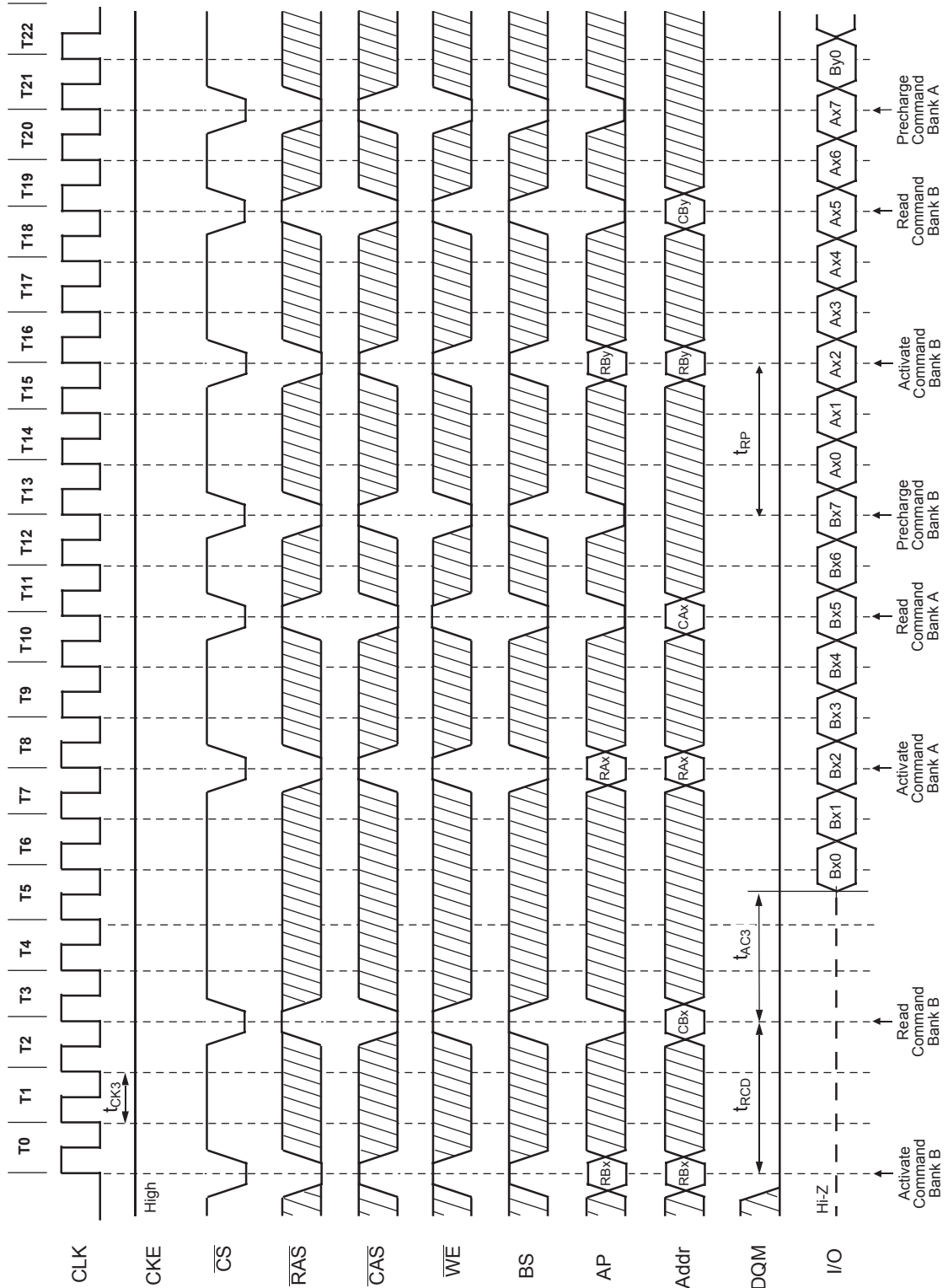
Burst Length = 8, CAS Latency = 2

### 17.1 Random Row Read (Interleaving Banks) (1 of 2)



Burst Length = 8, CAS Latency = 3

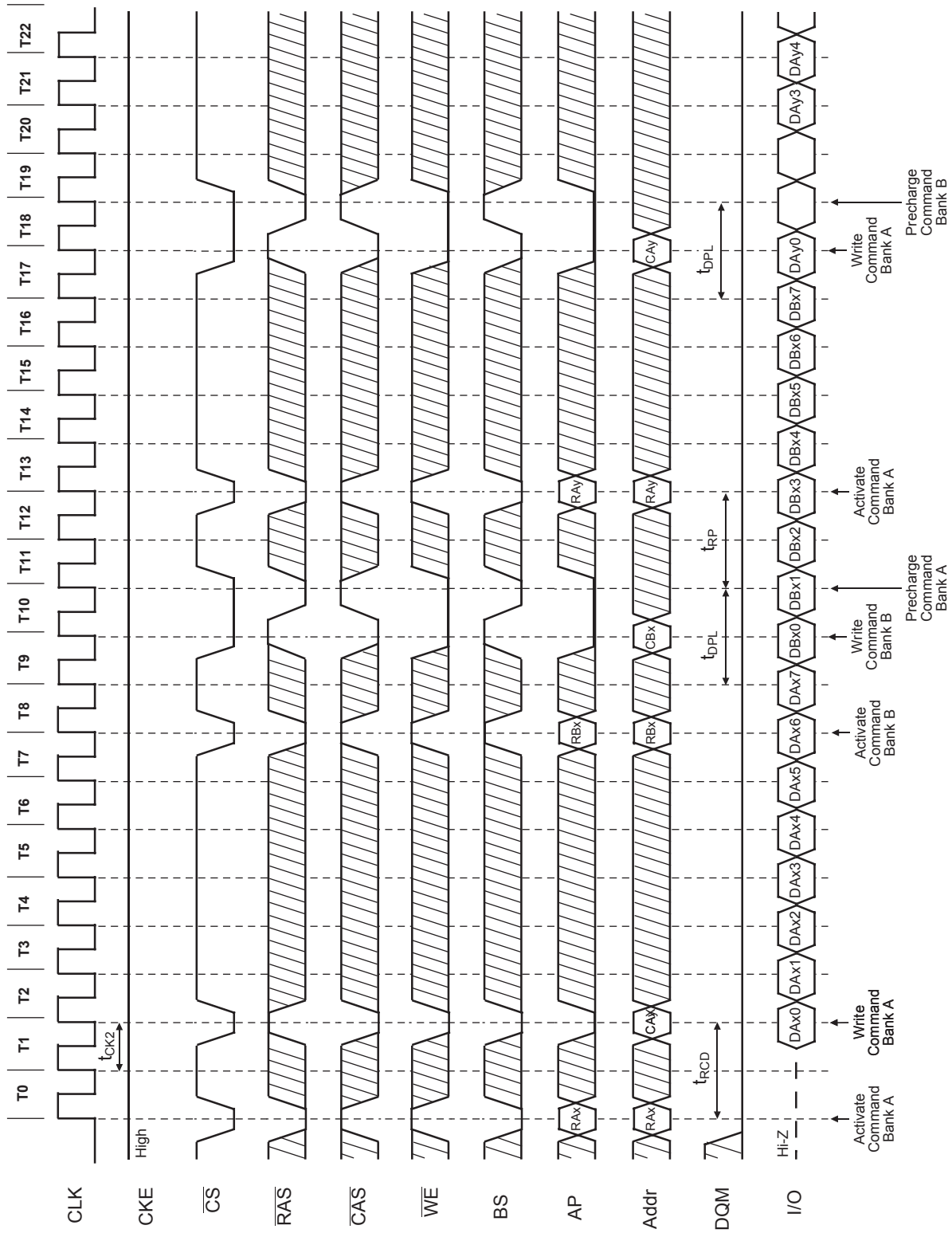
### 17.2 Random Row Read (Interleaving Banks) (2 of 2)





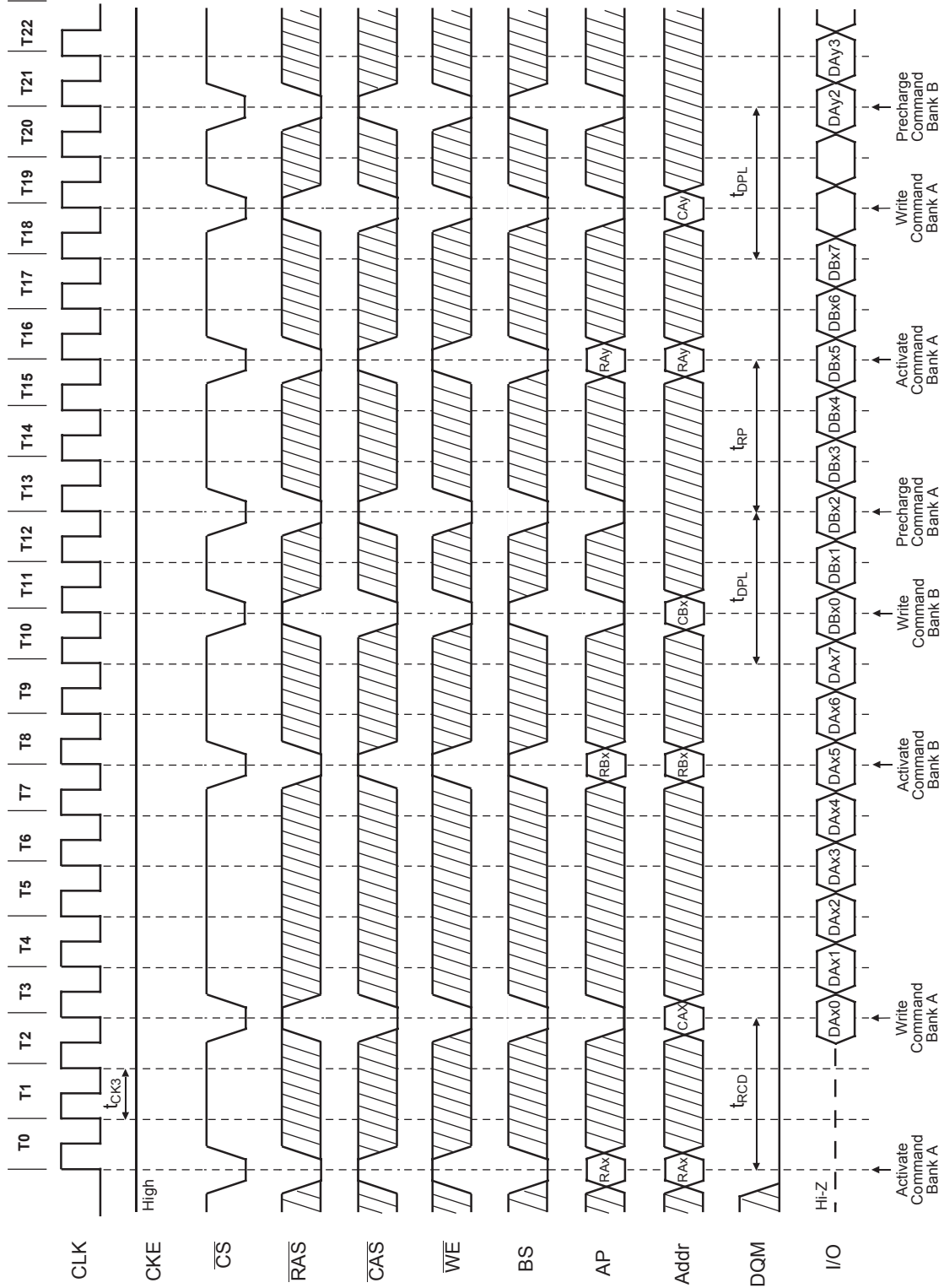
Burst Length = 8, CAS Latency = 2

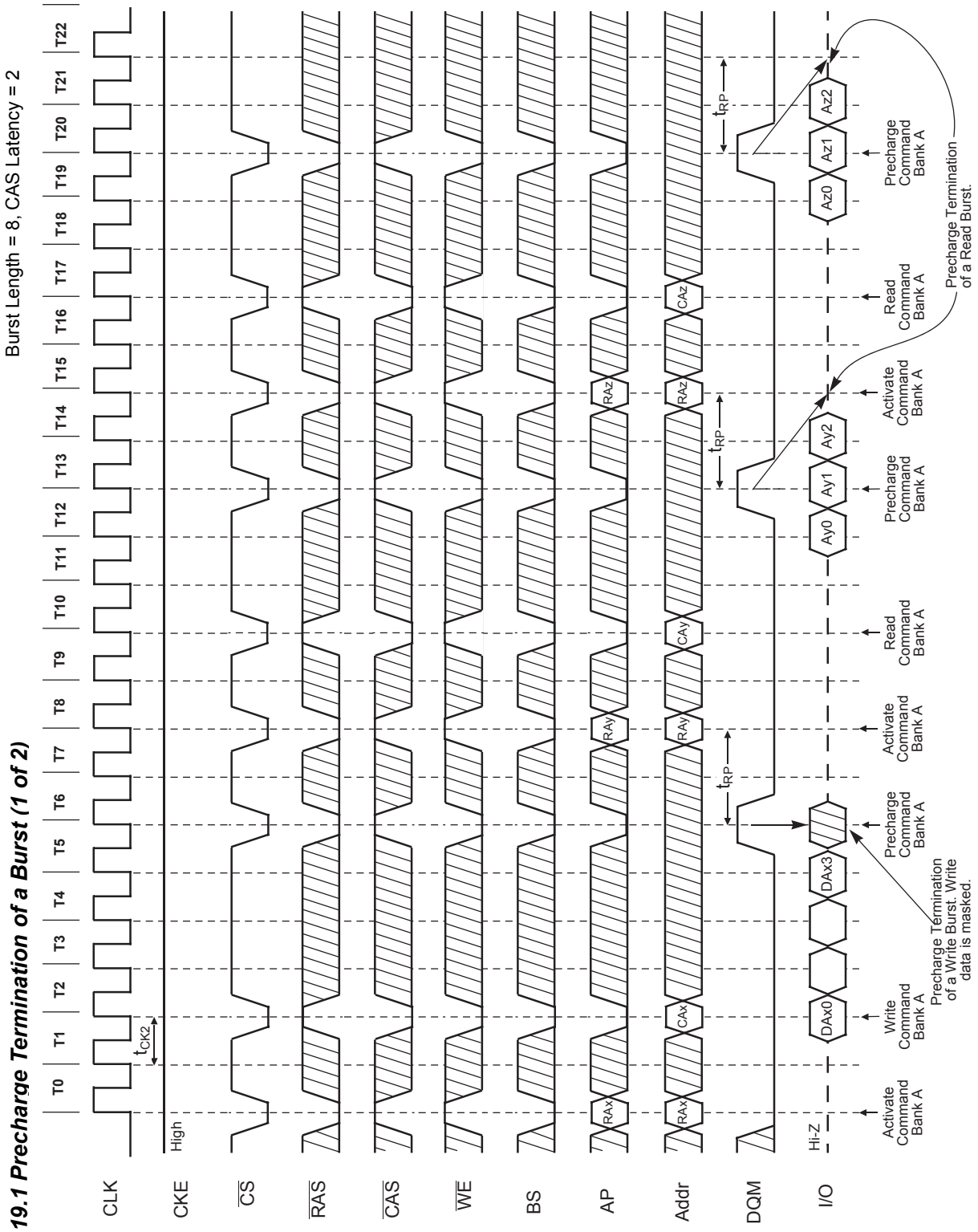
### 18.1 Random Row Write (Interleaving Banks) (1 of 2)



Burst Length = 8, CAS Latency = 3

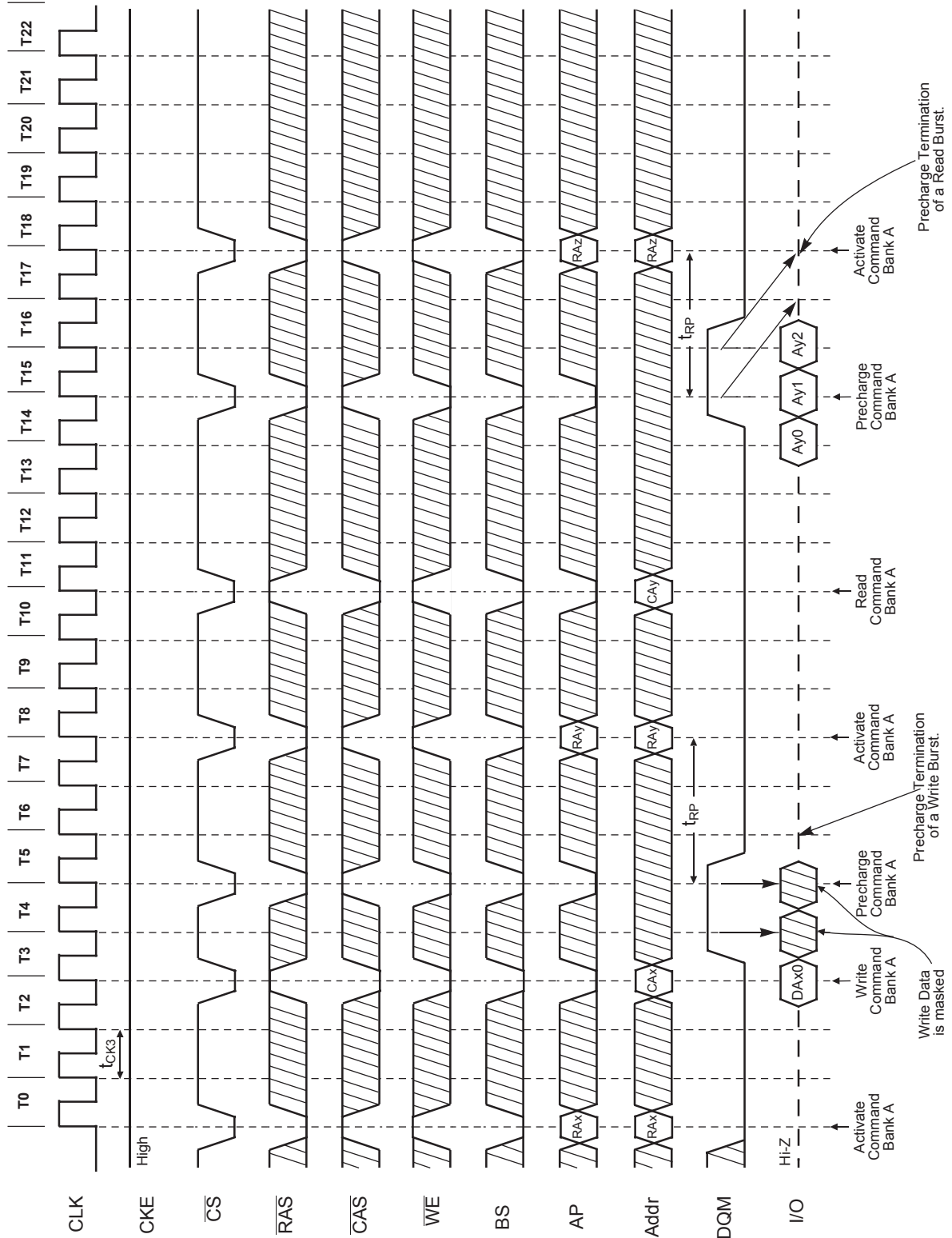
### 18.2 Random Row Write (Interleaving Banks) (2 of 2)





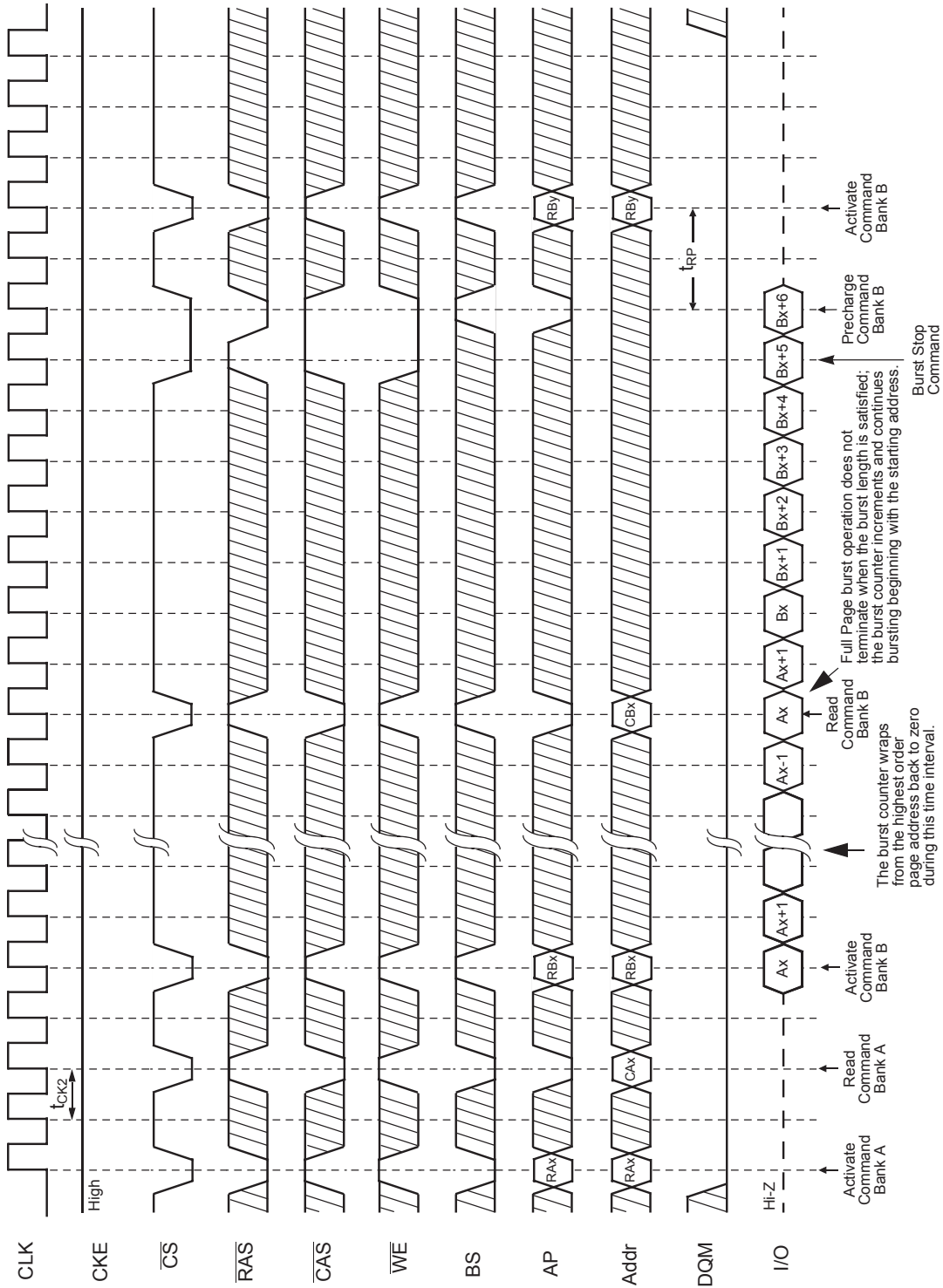
Burst Length = 4, 8, CAS Latency = 3

## 19.2 Precharge Termination of a Burst (2 of 2)



Burst Length = Full Page, CAS Latency = 2

### 20.1 Full Page Read Cycle (1 of 2)

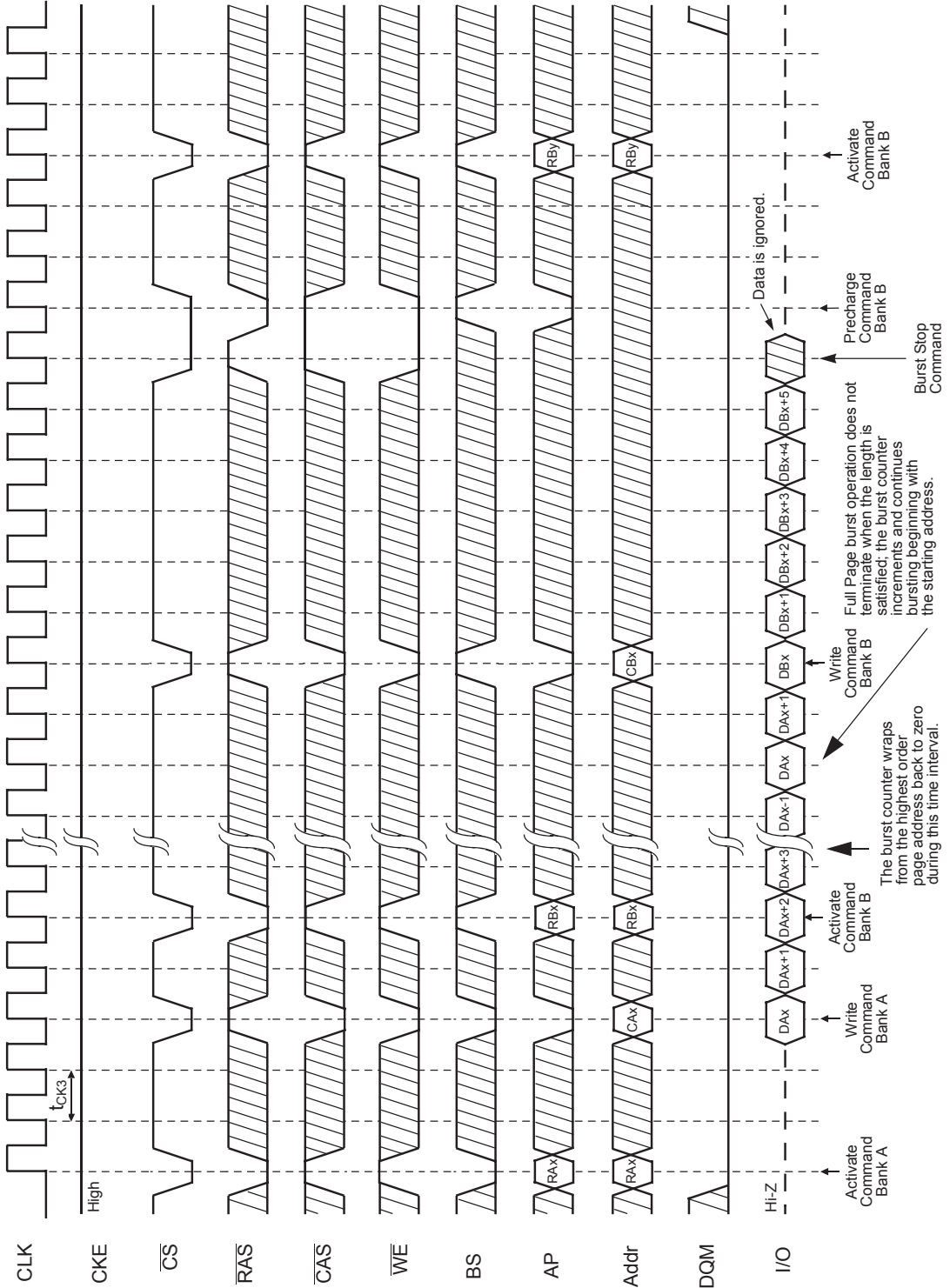






Burst Length = Full Page, CAS Latency = 3

### 21.2 Full Page Write Cycle (2 of 2)







# AS4C32M16SA

512Mbit Single-Data-Rate (SDR) SDRAM  
32Mx16(8M x 16 x 4 Banks)

## Complete List of Operation Commands

### SDRAM Function Truth Table

CURRENT STATE <sup>1</sup>	$\overline{\text{CS}}$	$\overline{\text{RAS}}$	$\overline{\text{CAS}}$	$\overline{\text{WE}}$	BS	Addr	ACTION
Idle	H	X	X	X	X	X	NOP or Power Down
	L	H	H	H	X	X	NOP
	L	H	H	L	BS	X	ILLEGAL <sup>2</sup>
	L	H	L	X	BS	X	ILLEGAL <sup>2</sup>
	L	L	H	H	BS	RA	Row (&Bank) Active; Latch Row Address
	L	L	H	L	BS	AP	NOP <sup>4</sup>
	L	L	L	H	X	X	Auto-Refresh or Self-Refresh <sup>5</sup>
	L	L	L	L	Op-	Code	Mode reg. Access <sup>5</sup>
Row Active	H	X	X	X	X	X	NOP
	L	H	H	X	X	X	NOP
	L	H	L	H	BS	CA,AP	Begin Read; Latch CA; DetermineAP
	L	H	L	L	BS	CA,AP	Begin Write; Latch CA; DetermineAP
	L	L	H	H	BS	X	ILLEGAL <sup>2</sup>
	L	L	H	L	BS	AP	Precharge
	L	L	L	X	X	X	ILLEGAL
Read	H	X	X	X	X	X	NOP (Continue Burst to End;>Row Active)
	L	H	H	H	X	X	NOP (Continue Burst to End;>Row Active)
	L	H	H	L	BS	X	Burst Stop Command > Row Active
	L	H	L	H	BS	CA,AP	Term Burst, New Read, DetermineAP <sup>3</sup>
	L	H	L	L	BS	CA,AP	Term Burst, Start Write, DetermineAP <sup>3</sup>
	L	L	H	H	BS	X	ILLEGAL <sup>2</sup>
	L	L	H	L	BS	AP	Term Burst, Precharge
	L	L	L	X	X	X	ILLEGAL
Write	H	X	X	X	X	X	NOP (Continue Burst to End;>Row Active)
	L	H	H	H	X	X	NOP (Continue Burst to End;>Row Active)
	L	H	H	L	BS	X	Burst Stop Command > Row Active
	L	H	L	H	BS	CA,AP	Term Burst, Start Read, DetermineAP <sup>3</sup>
	L	H	L	L	BS	CA,AP	Term Burst, New Write, DetermineAP <sup>3</sup>
	L	L	H	H	BS	X	ILLEGAL <sup>2</sup>
	L	L	H	L	BS	AP	Term Burst, Precharge <sup>3</sup>
	L	L	L	X	X	X	ILLEGAL
Read with Auto Precharge	H	X	X	X	X	X	NOP (Continue Burst to End;> Precharge)
	L	H	H	H	X	X	NOP (Continue Burst to End;> Precharge)
	L	H	H	L	BS	X	ILLEGAL <sup>2</sup>
	L	H	L	H	BS	X	ILLEGAL <sup>2</sup>
	L	H	L	L	X	X	ILLEGAL
	L	L	H	H	BS	X	ILLEGAL <sup>2</sup>
	L	L	H	L	BS	AP	ILLEGAL <sup>2</sup>
	L	L	L	X	X	X	ILLEGAL

**SDRAM Function Truth Table (continued)**

CURRENT STATE <sup>1</sup>	$\overline{\text{CS}}$	$\overline{\text{RAS}}$	$\overline{\text{CAS}}$	$\overline{\text{WE}}$	BS	Addr	ACTION
Write with Auto Precharge	H	X	X	X	X	X	NOP (Continue Burst to End;> Precharge)
	L	H	H	H	X	X	NOP (Continue Burst to End;> Precharge)
	L	H	H	L	BS	X	ILLEGAL <sup>2</sup>
	L	H	L	H	BS	X	ILLEGAL <sup>2</sup>
	L	H	L	L	X	X	ILLEGAL
	L	L	H	H	BS	X	ILLEGAL <sup>2</sup>
	L	L	H	L	BS	AP	ILLEGAL <sup>2</sup>
L	L	L	X	X	X	ILLEGAL	
Precharging	H	X	X	X	X	X	NOP;> Idle after tRP
	L	H	H	H	X	X	NOP;> Idle after tRP
	L	H	H	L	BS	X	ILLEGAL <sup>2</sup>
	L	H	L	X	BS	X	ILLEGAL <sup>2</sup>
	L	L	H	H	BS	X	ILLEGAL <sup>2</sup>
	L	L	H	L	BS	AP	NOP <sup>4</sup>
L	L	L	X	X	X	ILLEGAL	
Row Activating	H	X	X	X	X	X	NOP;> Row Active after tRCD
	L	H	H	H	X	X	NOP;> Row Active after tRCD
	L	H	H	L	BS	X	ILLEGAL <sup>2</sup>
	L	H	L	X	BS	X	ILLEGAL <sup>2</sup>
	L	L	H	H	BS	X	ILLEGAL <sup>2</sup>
	L	L	H	L	BS	AP	ILLEGAL <sup>2</sup>
L	L	L	X	X	X	ILLEGAL	
Write Recovering	H	X	X	X	X	X	NOP
	L	H	H	H	X	X	NOP
	L	H	H	L	BS	X	ILLEGAL <sup>2</sup>
	L	H	L	X	BS	X	ILLEGAL <sup>2</sup>
	L	L	H	H	BS	X	ILLEGAL <sup>2</sup>
	L	L	H	L	BS	AP	ILLEGAL <sup>2</sup>
L	L	L	X	X	X	ILLEGAL	
Refreshing	H	X	X	X	X	X	NOP;> Idle after tRC
	L	H	H	H	X	X	NOP;> Idle after tRC
	L	H	H	L	X	X	ILLEGAL
	L	H	L	X	X	X	ILLEGAL
	L	L	H	X	X	X	ILLEGAL
	L	L	L	X	X	X	ILLEGAL
Mode Register Accessing	H	X	X	X	X	X	NOP
	L	H	H	H	X	X	NOP
	L	H	H	L	X	X	ILLEGAL
	L	H	L	X	X	X	ILLEGAL
	L	L	X	X	X	X	ILLEGAL



# AS4C32M16SA

512Mbit Single-Data-Rate (SDR) SDRAM  
32Mx16(8M x 16 x 4 Banks)

### Clock Enable (CKE) Truth Table:

STATE(n)	CKE n-1	CKE n	$\overline{CS}$	$\overline{RAS}$	$\overline{CAS}$	$\overline{WE}$	Addr	ACTION
Self-Refresh <sup>6</sup>	H	X	X	X	X	X	X	INVALID
	L	H	H	X	X	X	X	EXIT Self-Refresh, Idle after tRC
	L	H	L	H	H	H	X	EXIT Self-Refresh, Idle after tRC
	L	H	L	H	H	L	X	ILLEGAL
	L	H	L	H	L	X	X	ILLEGAL
	L	H	L	L	X	X	X	ILLEGAL
	L	L	X	X	X	X	X	NOP (Maintain Self-Refresh)
Power-Down	H	X	X	X	X	X	X	INVALID
	L	H	H	X	X	X	X	EXIT Power-Down, > Idle.
	L	H	L	H	H	H	X	EXIT Power-Down, > Idle.
	L	H	L	H	H	L	X	ILLEGAL
	L	H	L	H	L	X	X	ILLEGAL
	L	H	L	L	X	X	X	ILLEGAL
	L	L	X	X	X	X	X	NOP (Maintain Low-Power Mode)
All. Banks Idle <sup>7</sup>	H	H	X	X	X	X	X	Refer to the function truth table
	H	L	H	X	X	X	X	Enter Power- Down
	H	L	L	H	H	H	X	Enter Power- Down
	H	L	L	H	H	L	X	ILLEGAL
	H	L	L	H	L	X	X	ILLEGAL
	H	L	L	L	H	X	X	ILLEGAL
	H	L	L	L	L	H	X	Enter Self-Refresh
	H	L	L	L	L	L	X	ILLEGAL
	L	L	X	X	X	X	X	NOP

#### Abbreviations:

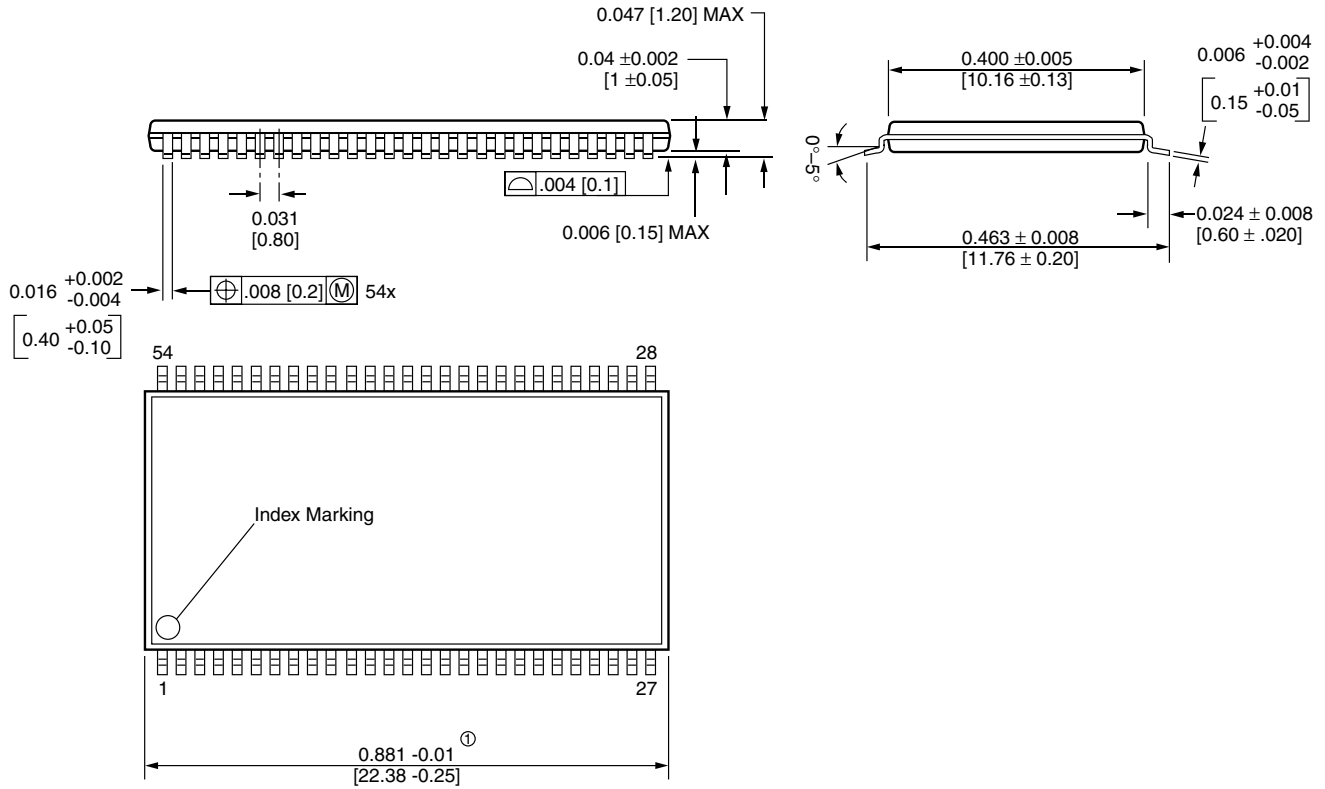
RA = Row Address of Bank A      CA = Column Address of Bank A      BS = Bank Address  
 RB = Row Address of Bank B      CB = Column Address of Bank B      AP = Auto Precharge  
 RC = Row Address of Bank C      CC = Column Address of Bank C  
 RD = Row Address of Bank D      CD = Column Address of Bank D

#### Notes for SDRAM function truth table:

1. Current State is state of the bank determined by BS. All entries assume that CKE was active (HIGH) during the preceding clock cycle.
2. Illegal to bank in specified state; Function may be legal in the bank indicated by BS, depending on the state of that bank.
3. Must satisfy bus contention, bus turn around, and/or write recovery requirements.
4. NOP to bank precharging or in Idle state. May precharge bank(s) indicated by BS (andAP).
5. Illegal if any bank is not Idle.
6. CKE Low to High transition will re-enable CLK and other inputs asynchronously. A minimum setup time must be satisfied before any command other than EXIT.
7. Power-Down and Self-Refresh can be entered only from the All Banks Idle State.
8. Must be legal command as defined in the SDRAM function truth table.

## Package Diagram

### 54-Pin Plastic TSOP-II (400 mil)



① Does not include plastic or metal protrusion of 0.15 max. per side

Unit in inches [mm]

### Package Diagram

#### 54 Ball FBGA (x16)

