



Eval Kit Manual

AS5200L

Adapter Board

AS5200L-MF_EK_AB

Content Guide

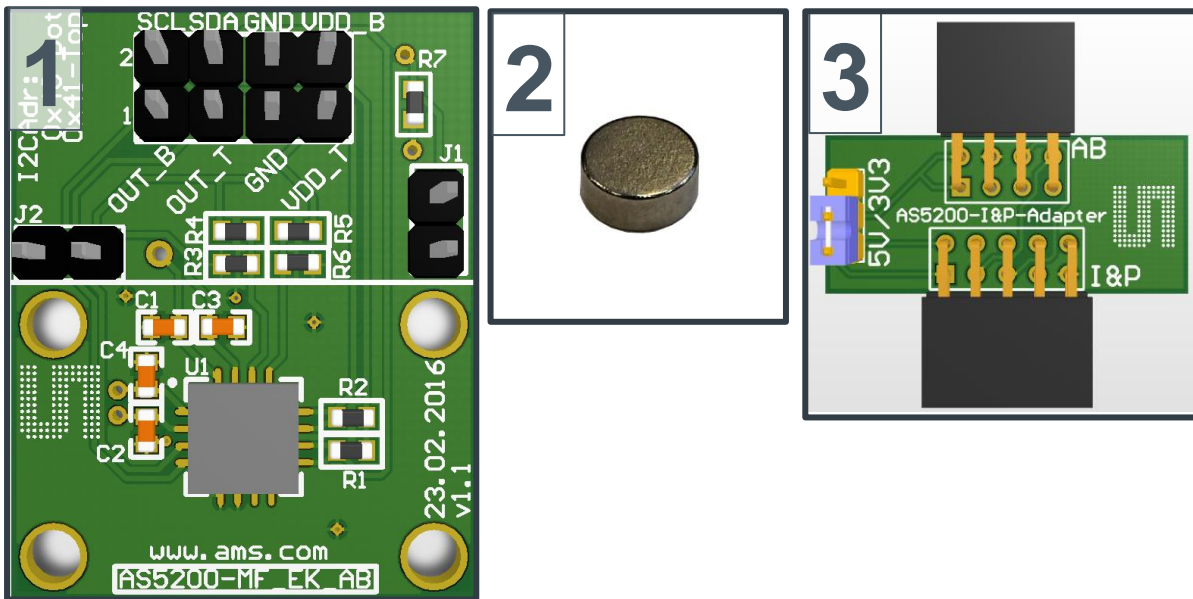
1	Introduction	3
1.1	Kit Content	3
2	Board description	4
2.1	Mounting the AS5200L adapter board	5
3	AS5200L adapter board and pinout	6
4	Operation case	7
4.1	I2C Mode	7
5	AS5200L-MF_EK_AB Hardware	8
5.1	AS5200L-MF_EK_AB schematics	8
5.2	AS5200L-MF_EK_AB PCB layout	9
6	Ordering & Contact Information	10
7	Copyrights & Disclaimer	11
8	Revision Information	12

1 Introduction

The AS5200L adapter board is a small PCB allowing simple and quick testing or evaluation of the AS5200L magnetic position sensor without the need to build a test fixture or design an own PCB.

1.1 Kit Content

Figure 1: Kit content



Pos.	Item	Comment
1	AS5200L-MF_EK_AB	Adapter board
2	AS5000-MD6H-2	Diametric Magnet, D6x2.5mm, NdFeB, Bomatec AG
3	AS5200L-I&P-Adapter	Adapter PCB to connect easily with the USB I&P Box

2 Board description

The PCB can be connected either to an external microcontroller, or to the USB I&P Box which is available on our webpage. ([USB I&P Box](#))

P1 is populated with a 2x4 90 degree pin header and is required for power supply (Top- and Bottom Die) as well as I2C (SCL, SDA) and PWM(OUTB, OUTT).

The connector J1 allows to select between 5V or 3.3V operation for the Bottom Die (Open=5V/Closed=3.3V)

The connector J2 allows to select between 5V or 3.3V operation for the Top Die (Open=5V/Closed=3.3V)

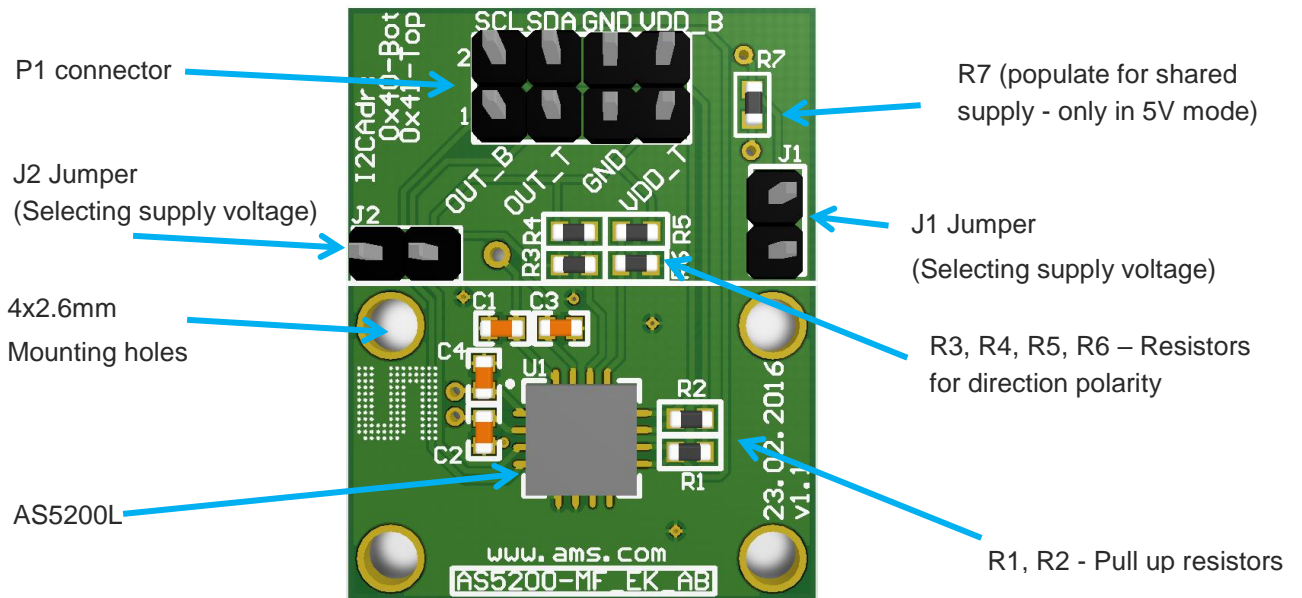
R1 and R2 are the pull-up resistors for SCL and SDA line.

C1-C4 are decoupling capacitors.

If R7 is populated with a 0R (0603 package) resistor, the supply of top and bottom can be shared. This is only recommended in 5V use (J1 and J2 open)

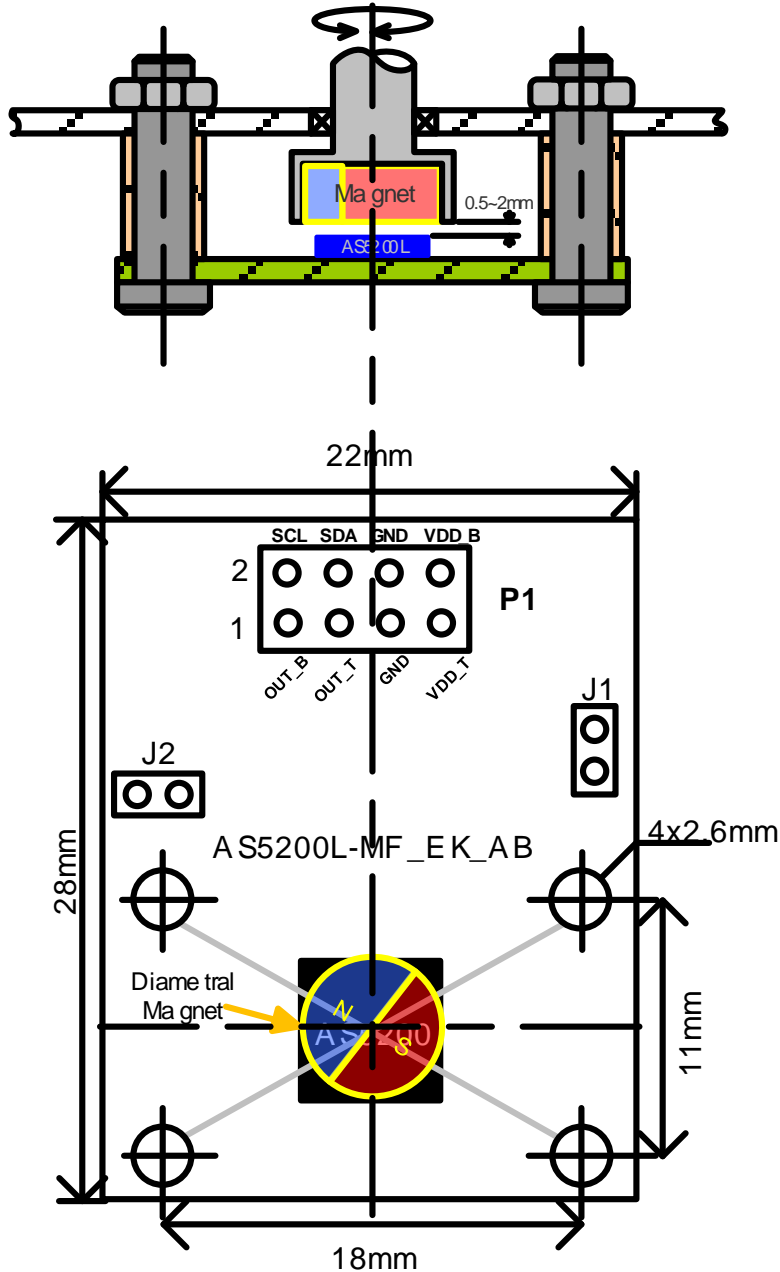
R3, R4, R5 & R6 are used for the direction polarity. Populate R3 for increasing value in clockwise direction at Bottom, R4 for counterclockwise. Populate R6 for increasing value in clockwise direction at Top Die, R5 for counterclockwise.

Figure 2: AS5200L adapter board



2.1 Mounting the AS5200L adapter board

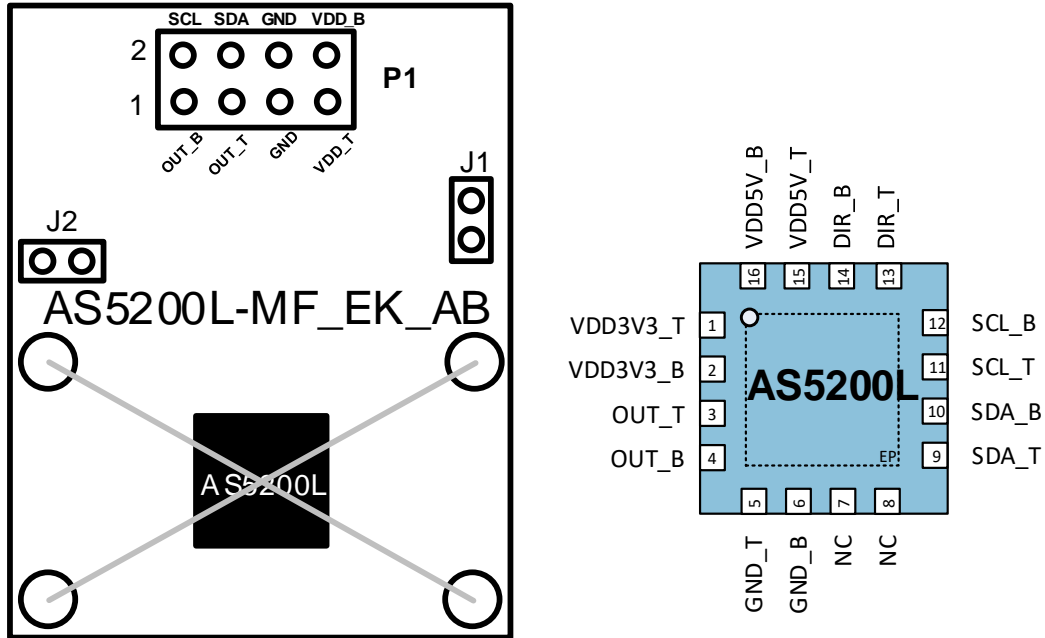
Figure 3: Mounting and dimensions



A 6x2.5mm diametric magnet must be placed over or under the AS5200L sensor, and should be centered on the middle of the package. The airgap between the magnet surface and the package should be maintained in the range 0.5mm to 3mm. The magnet holder must not be ferromagnetic. Materials as brass, copper, aluminum, stainless steel are the best choices to make this part.

3 AS5200L adapter board and pinout

Figure 4: AS5200L adapter board and sensor pinout



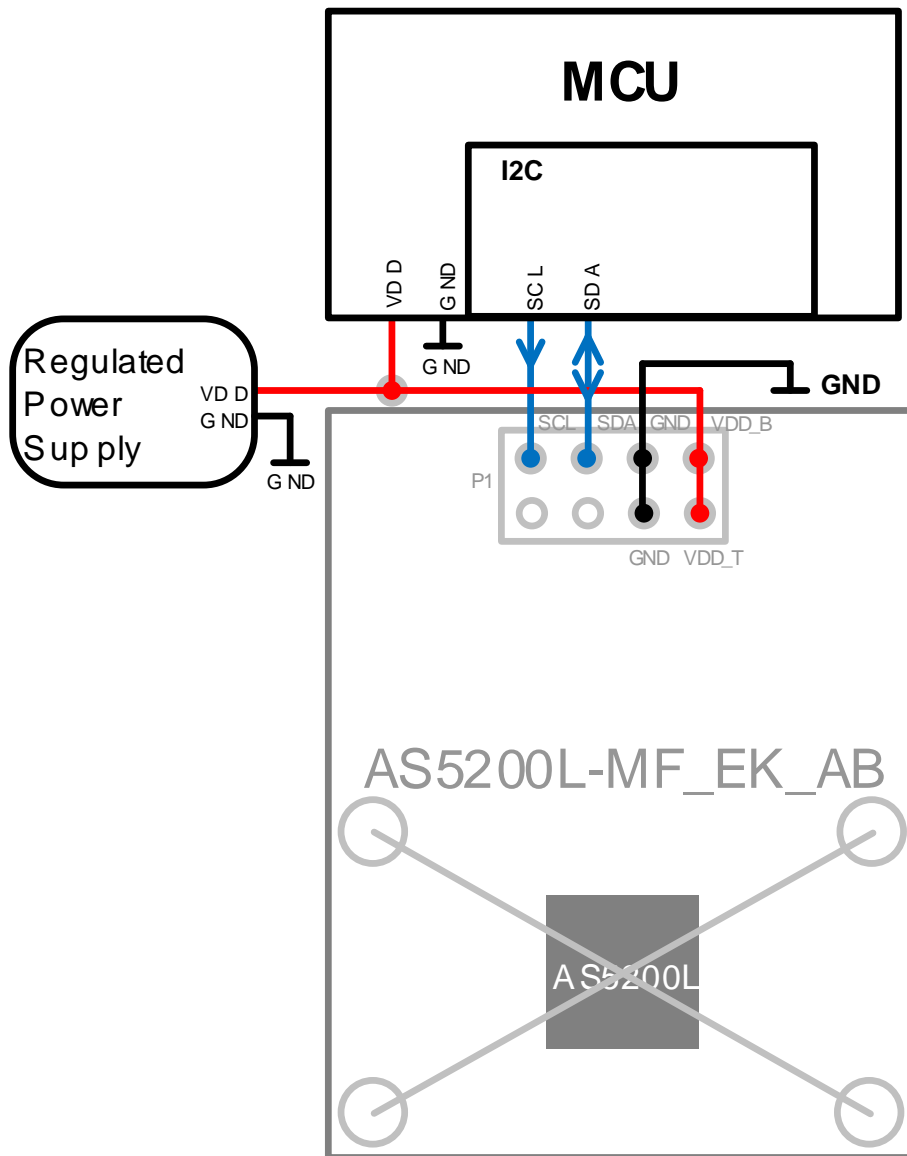
Pin# Board	Pin# AS5200	Symbol board	Type	Description
P1 - 1	4	OUT_B	Digital output	PWM output (Bottom die)
P1 - 2	11/12	SCL	Digital input	I ² C Clock (shared for Top and Bottom die)
P1 - 3	3	OUT_T	Digital output	PWM output (Top die)
P1 - 4	9/10	SDA	Digital input/output	I ² C Data (shared for Top and Bottom die)
P1 - 5	5/6	GND	Power supply	Ground
P1 - 6	5/6	GND	Power supply	Ground
P1 - 7	15	VDD_T	Power supply	Positive voltage supply top (5V / 3,3V mode)
P1 - 8	16	VDD_B	Power supply	Positive voltage supply bottom (5V / 3,3V mode)

4 Operation case

4.1 I2C Mode

The AS5200L adapter board can be directly connected to an industry standard I2C port of a microcontroller. The minimum connection requirements for bidirectional communication between the microcontroller and the AS5200L is VDD, GND, SCL and SDA. The slave address of the bottom die is 0x40. Top die address is 0x41.

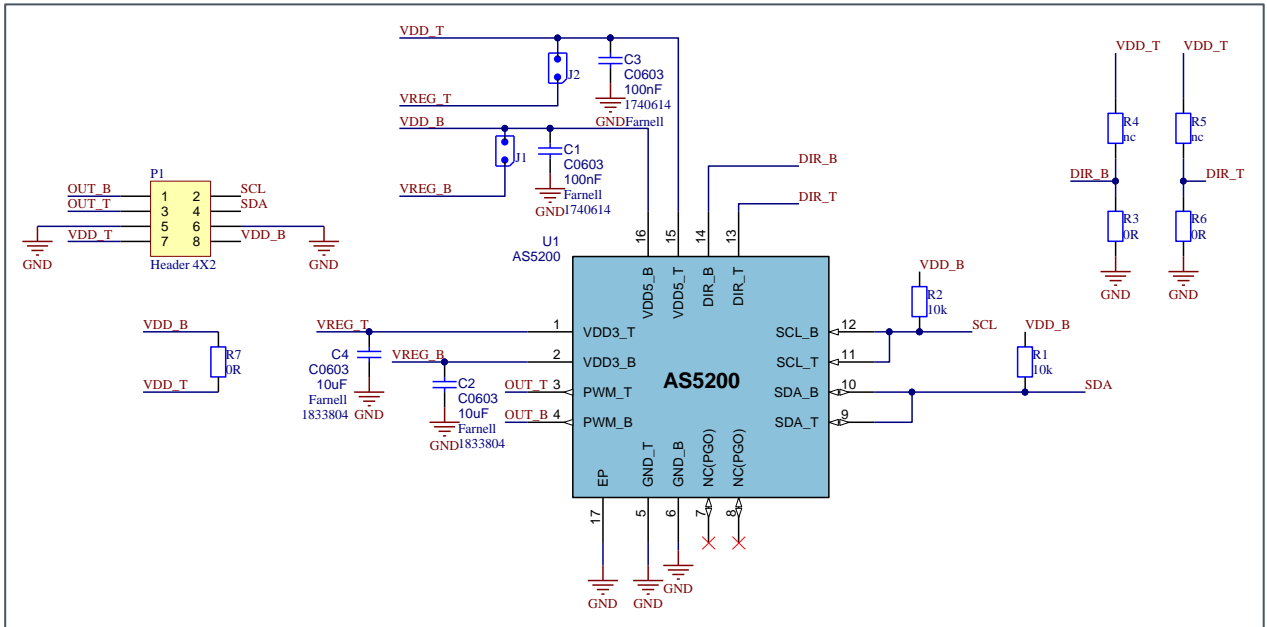
Figure 5: I2C Mode



5 AS5200L-MF_EK_AB Hardware

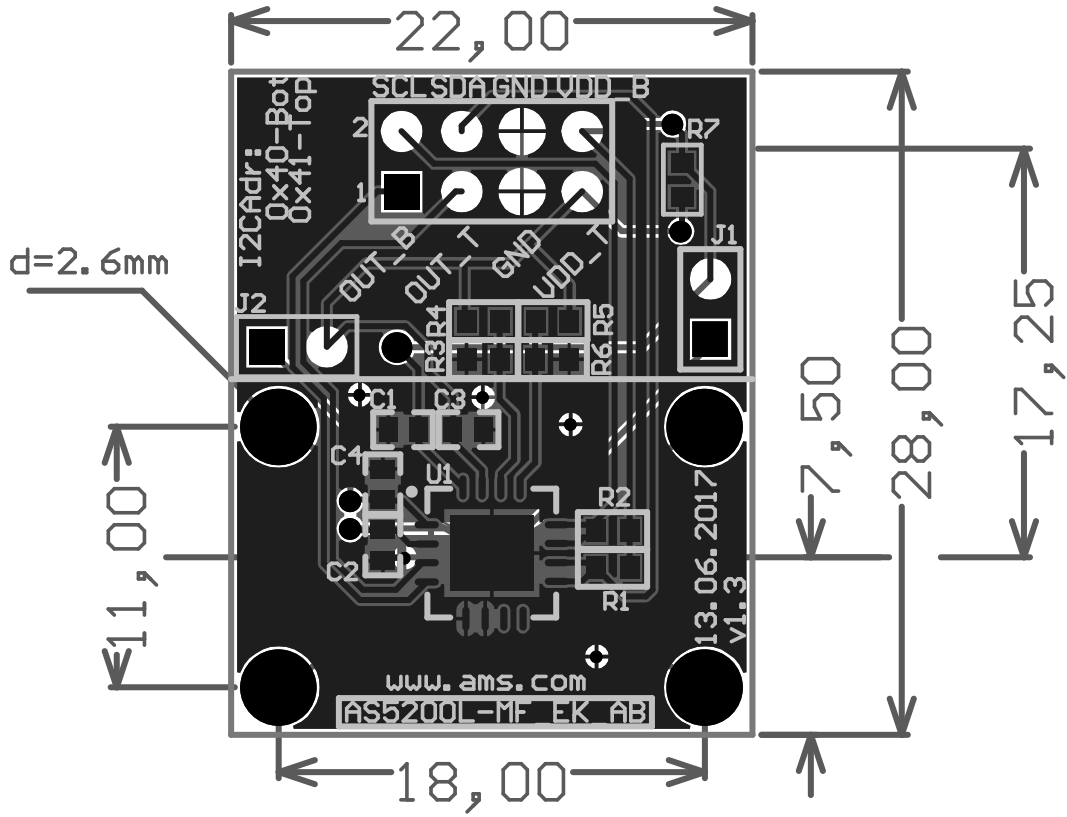
5.1 AS5200L-MF_EK_AB schematics

Figure 6: AS5200L-MF_EK_AB schematics



5.2 AS5200L-MF_EK_AB PCB layout

Figure 7: AS5200L-MF_EK_AB PCB layout



6 Ordering & Contact Information

Ordering Code	Description
AS5200L-MF_EK_AB	AS5200L Eval Kit Adapter Board

Buy our products or get free samples online at:

www.ams.com/ICdirect

Technical Support is available at:

www.ams.com/Technical-Support

Provide feedback about this document at:

www.ams.com/Document-Feedback

For further information and requests, e-mail us at:

ams_sales@ams.com

For sales offices, distributors and representatives, please visit:

www.ams.com/contact

Headquarters

ams AG

Tobelbader Strasse 30

8141 Premstaetten

Austria, Europe

Tel: +43 (0) 3136 500 0

Website: www.ams.com

7 Copyrights & Disclaimer

Copyright ams AG, Tobelbader Strasse 30, 8141 Premstaetten, Austria-Europe. Trademarks Registered. All rights reserved. The material herein may not be reproduced, adapted, merged, translated, stored, or used without the prior written consent of the copyright owner.

Demo Kits, Evaluation Kits and Reference Designs are provided to recipient on an “as is” basis for demonstration and evaluation purposes only and are not considered to be finished end-products intended and fit for general consumer use, commercial applications and applications with special requirements such as but not limited to medical equipment or automotive applications. Demo Kits, Evaluation Kits and Reference Designs have not been tested for compliance with electromagnetic compatibility (EMC) standards and directives, unless otherwise specified. Demo Kits, Evaluation Kits and Reference Designs shall be used by qualified personnel only.

ams AG reserves the right to change functionality and price of Demo Kits, Evaluation Kits and Reference Designs at any time and without notice.

Any express or implied warranties, including, but not limited to the implied warranties of merchantability and fitness for a particular purpose are disclaimed. Any claims and demands and any direct, indirect, incidental, special, exemplary or consequential damages arising from the inadequacy of the provided Demo Kits, Evaluation Kits and Reference Designs or incurred losses of any kind (e.g. loss of use, data or profits or business interruption however caused) as a consequence of their use are excluded.

ams AG shall not be liable to recipient or any third party for any damages, including but not limited to personal injury, property damage, loss of profits, loss of use, interruption of business or indirect, special, incidental or consequential damages, of any kind, in connection with or arising out of the furnishing, performance or use of the technical data herein. No obligation or liability to recipient or any third party shall arise or flow out of ams AG rendering of technical or other services.