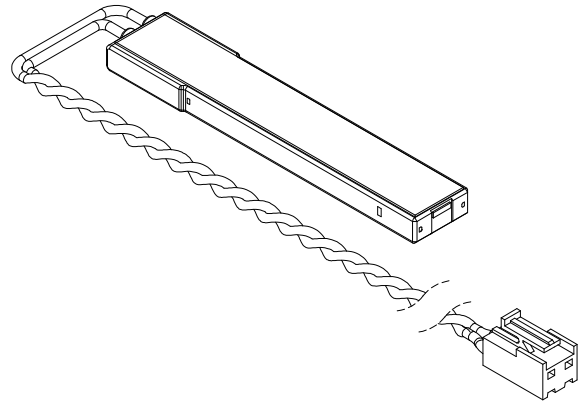
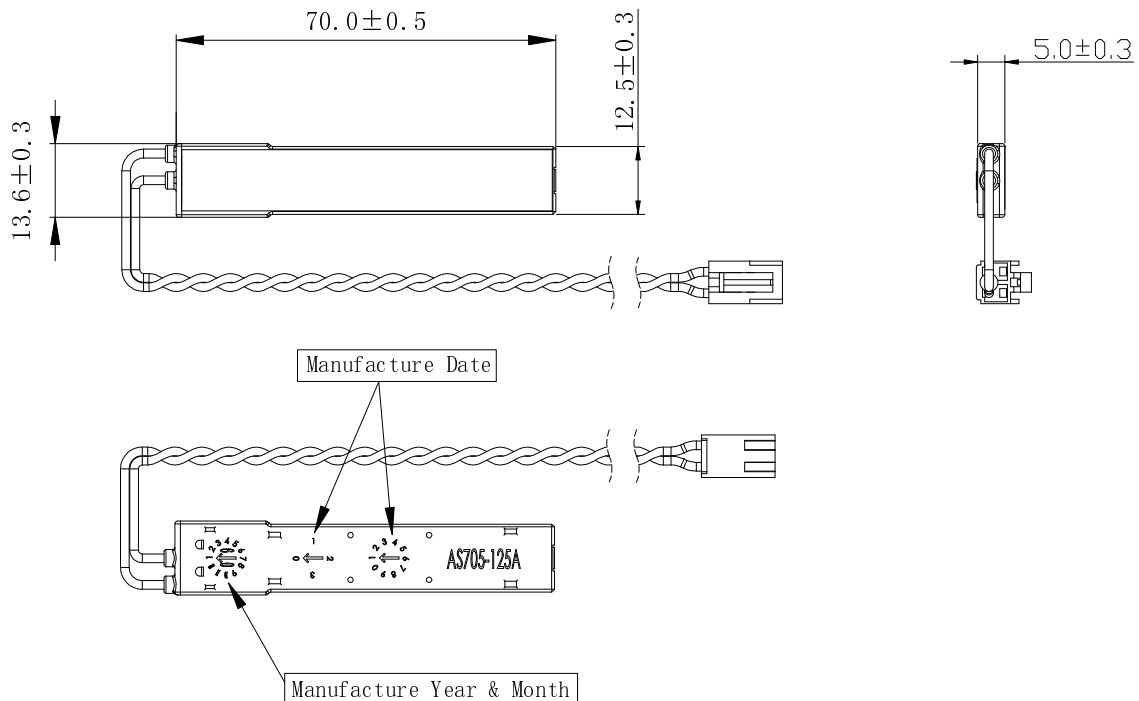


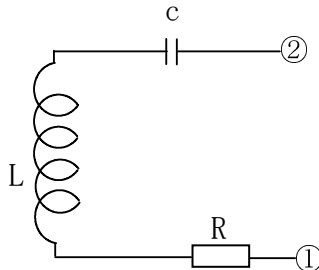
Type: AS705A
◆ Product Description

- * 70.5×13.9mm Max(L×W),5.3mm Max. Height.
- * Operating Temperature: -40°C ~ +85°C.

◆ Feature

- * LF Transmitter antenna.
- * Small size installation space can be saved.
- * Match for TI & NXP IC, resonant frequency be pre-set to 125kHz,134kHz or customization.
- * Meeting protection against water degree IPX4K of ISO20653 by adding water-proof part.
- * Ideally used in keyless smart entry system.
- * Over molding, with/ without harness and connector.
- * RoHS Compliance.


◆ Mechanical dimensions (unit: mm)


Type: AS705A
◆ Schematic diagram


L: Ferrite core coil inductance.

C: Tuning internal capacitor.

R: Copper resistance.

◆ Electrical Characteristics

| Part number | Tuning capacitance | Load Q | Resonant frequency | Resonant current | Load resistance |
|-------------|--------------------|--------|--------------------|------------------|-----------------|
| AS705 -125A | 332 | 60.1 | 125.0 ± 1.5kHz | 1.2App | 4.7 Ω |
| AS705-125B | 472 | 52.1 | 125.0 ± 1.5kHz | 2.5App | 2.2 Ω |
| AS705-125C | 682 | 41.7 | 125.0 ± 1.5kHz | 2.8App | 2.2 Ω |
| AS705-125D | 822 | 30.5 | 125.0 ± 1.5kHz | 2.4App | 3.3 Ω |
| AS705-125E | 103 | 26.3 | 125.0 ± 1.5kHz | 2.6App | 3.3 Ω |
| AS705 -134A | 332 | 65.2 | 134.2 ± 1.5kHz | 1.2App | 4.7 Ω |
| AS705-134B | 472 | 63.8 | 134.2 ± 1.5kHz | 2.5App | 2.2 Ω |
| AS705-134C | 682 | 36.3 | 134.2 ± 1.5kHz | 2.9App | 2.2 Ω |
| AS705-134D | 822 | 30.5 | 134.2 ± 1.5kHz | 2.5App | 3.3 Ω |
| AS705-134E | 103 | 25.8 | 134.2 ± 1.5kHz | 2.6App | 3.3 Ω |
| AS705-20K | 334 | 3.26 | 20 ± 1.5kHz | 2.2App | 3.3 Ω |

* It is possible for customer specification at harness length and connector form.

* It is possible for other frequency.

◆ Packaging specification

* Using plastic tray packaging.

* Outside carton dimension: 500mm X 300mm X 175mm.

* Packaging Q'ty: 120pcs/carton.