

# AS7220

## Calibrated CCT and Lumen Maintenance Smart Lighting Manager

### General Description

The AS7220 Smart Lighting Manager is part of the **ams** Cognitive Lighting™ family of products that enable lights to autonomously adapt to human lighting and energy conservation needs. The device is equipped with an advanced Cognitive Lighting Engine (CLE) to optimize CCT and lumen maintenance and color maintenance via a combination of PWM and/or 0-10V controls with dimming ballasts. Daylight harvesting can also be performed by adding an I<sup>2</sup>C connected **ams** ambient light sensor.

AS7220 XYZ chromatic white/color sensing provides mapping to x, y (z) of the CIE 1931 2-dimensional color gamut coordinates and scales the coordinates to the CIE 1976 u'v' coordinate system. The AS7220 integrates standard observer filters into standard silicon via nano-optic deposited interference filters which deliver high-stability over time and temperature. The LGA package includes a built-in aperture to control light entering the sensor array. Integrated intelligence enables lifetime CCT calibration to within 2-4 Macadam steps.

The AS7220 connects to standard 0-10V dimmer inputs and drives 0-10V dimming ballasts/drivers to enable a highly cost-effective white tunable current-steering luminaire design with a single-channel constant current ballast. Direct PWM inputs can also interface to standard LED drivers or multi-channel ballasts for constant voltage LED lighting architectures.

*[Ordering Information](#) and [Content Guide](#) appear at end of datasheet.*

### Key Benefits & Features

The benefits and features of this device are listed below:

**Figure 1:**  
**Added Value of Using AS7220**

Benefits	Features
<ul style="list-style-type: none"> <li>Accurate maintenance of CCT and daylight responsive lighting</li> </ul>	<ul style="list-style-type: none"> <li>Calibrated XYZ tri-stimulus color sensing for direct translation to CIE 1931/1976 standard observer color maps</li> </ul>
<ul style="list-style-type: none"> <li>Lifetime-calibrated sensing with minimal drift over time or temperature</li> </ul>	<ul style="list-style-type: none"> <li>Filter set realized by silicon interference filters</li> </ul>
<ul style="list-style-type: none"> <li>Optional user/manufacture configurable CCT maintenance and/or Lumen maintenance</li> </ul>	<ul style="list-style-type: none"> <li>If enabled, desired CCT and/or Lumen settings are read by the Cognitive Light Engine and maintained by using spectrally tuned light</li> </ul>
<ul style="list-style-type: none"> <li>Compatible with standard dimmer controls and occupancy sensors</li> </ul>	<ul style="list-style-type: none"> <li>Directly interfaces to 0-10V dimmer controls and standard occupancy sensors</li> </ul>
<ul style="list-style-type: none"> <li>Directly interfaces to LED string circuitry via PWM outputs</li> </ul>	<ul style="list-style-type: none"> <li>Built-in PWM generators to dim and control warm/cool luminaire LED strings</li> <li>12-bit resolution for precise control down to 1%</li> </ul>
<ul style="list-style-type: none"> <li>Directly interfaces to ballast via 0-10V</li> </ul>	<ul style="list-style-type: none"> <li>0-10V analog output for control of conventional dimming ballasts in a current steering design</li> </ul>
<ul style="list-style-type: none"> <li>Small package, wide operating range with critical optics built-in</li> </ul>	<ul style="list-style-type: none"> <li>20-pin LGA package 4.5mm x 4.7mm x 2.5mm with integrated aperture</li> <li>-40 °C to 85°C</li> </ul>

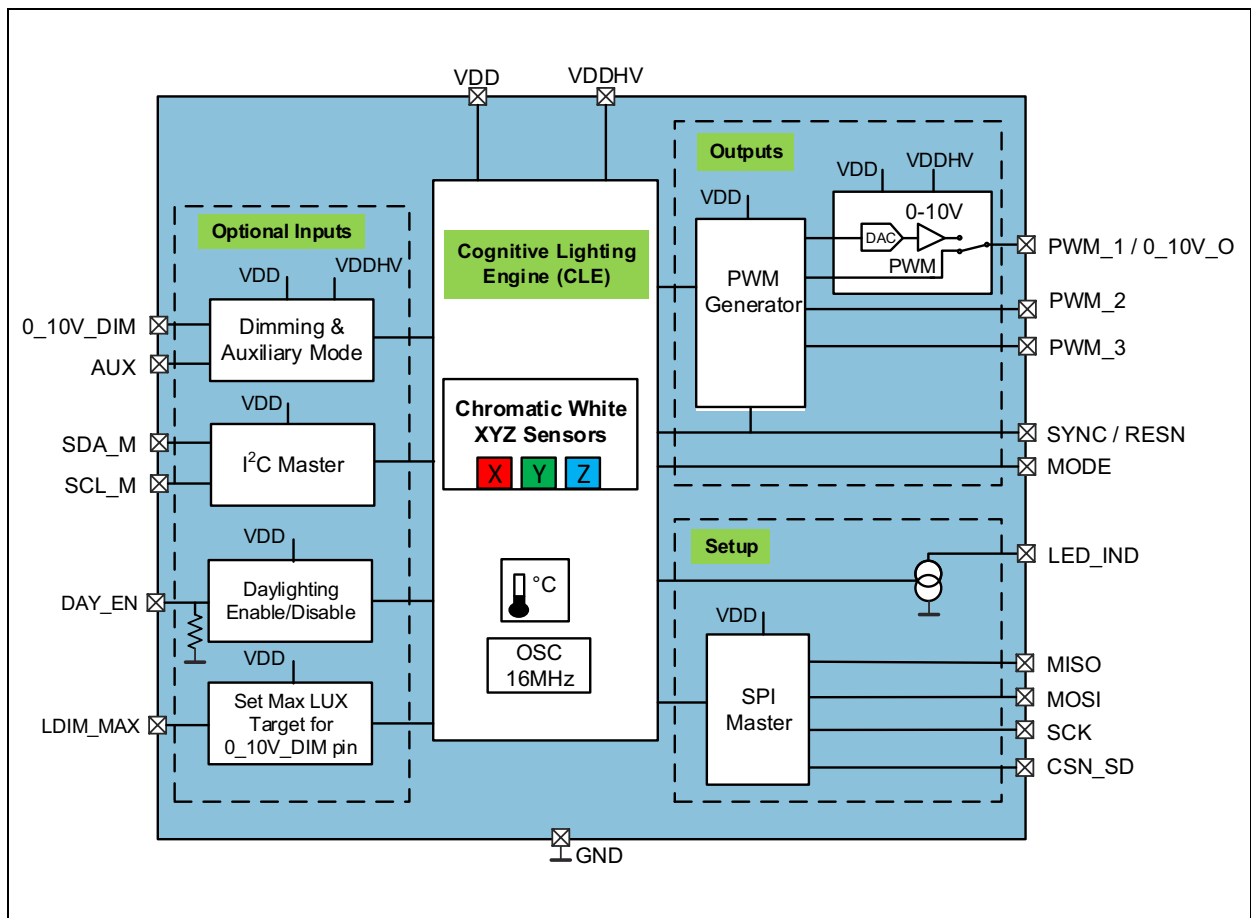
### Applications

Autonomous, solid-state lighting manager for precision fixed CCT and daylight harvesting:

- Configurable CCT and/or lumen maintenance applications
- Luminaires intended to meet California Title 24 daylighting requirements

## Block Diagram

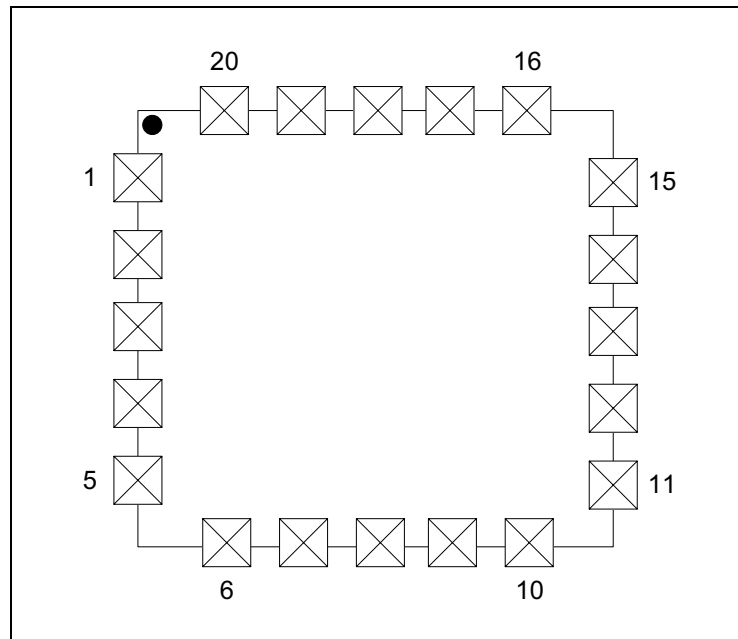
**Figure 2:**  
**Functional Blocks of AS7220**



**Functional Blocks of AS7220:** The AS7220 provides closed loop Chromatic White sensing and PWM tuning while interfacing to local controls or other sensors

## Pin Assignments

**Figure 3:**  
Pin Diagram of AS7220 (Top View)



**Figure 4:**  
Pin Description of AS7220 (20 Pin LGA)

Pin Number	Pin Name	Description
1	PWM_3	Digital PWM 3
2	SYNC	SYNC input
	RESN	Reset pin, active low
3	SCK	SPI serial clock
4	MOSI	SPI MOSI
5	MISO	SPI MISO
6	CSN_EE	Chip select for the required external serial flash memory, active low
7	CSN_SD	Chip select for SD Card interface, active low
8	AUX	Auxiliary mode input pin
9	SCL_M	I <sup>2</sup> C master clock pin
10	SDA_M	I <sup>2</sup> C master data pin
11	DAY_EN	Daylight enable, active high
12	LDIM_MAX	Sets maximum lumen for 0_10V_DIM inputs

Pin Number	Pin Name	Description
13	0_10V_DIM	0-10V input dimming pin
14	VDDHV	High voltage supply
15	MODE	Mode selection pin
16	GND	Ground
17	VDD	Low voltage supply
18	LED_IND	LED driver output for indicator LED, current sink
19	PWM_1	Digital PWM 1
	0_10V_O	0-10V output pin
20	PWM_2	Digital PWM 2

## Absolute Maximum Ratings

Stresses beyond those listed under [Absolute Maximum Ratings](#) may cause permanent damage to the device. These are stress ratings only. Functional operation of the device at these or any other conditions beyond those indicated under [Electrical Characteristics](#) is not implied. Exposure to absolute maximum rating conditions for extended periods may affect device reliability. The device is not designed for high energy UV (ultraviolet) environments, including upward looking outdoor applications, which could affect long term optical performance.

**Figure 5:**  
Absolute Maximum Ratings

Symbol	Parameter	Min	Max	Units	Comments
<b>Electrical Parameters</b>					
$V_{DD\_MAX}$	Supply Voltage VDD	-0.3	5	V	Pin VDD to GND, Low voltage pin
$V_{DDHV\_MAX}$	Supply Voltage VDDHV	-0.3	20	V	Pin VDDHV to GND, High voltage pin
$V_{DD\_IO}$	Input/Output Pin Voltage	-0.3	VDD + 0.3	V	Low voltage pins to GND
$V_{DDHV\_IO}$	Input/Output Pin Voltage	-0.3	VDDHV + 0.3	V	High voltage pins to GND
$I_{SCR}$	Input Current (latch-up immunity)	$\pm 100$		mA	JESD78D
<b>Electrostatic Discharge</b>					
$ESD_{HBM}$	Electrostatic Discharge HBM	$\pm 1000$		V	JS-001-2014
$ESD_{CDM}$	Electrostatic Discharge CDM	$\pm 500$		V	JSD22-C101F
<b>Temperature Ranges and Storage Conditions</b>					
$T_{strg}$	Storage Temperature	-40	85	°C	
$T_{body}$	Package Body Temperature		260	°C	IPC/JEDEC J-STD-020. The reflow peak soldering temperature (body temperature) is specified according IPC/JEDEC J-STD-020 "Moisture/Reflow Sensitivity Classification for Non-hermetic Solid State Surface Mount Devices"
$RH_{NC}$	Relative Humidity (non-condensing)	5	85	%	
MSL	Moisture Sensitivity Level	3			Represents a 168 hour max. floor lifetime

## Electrical Characteristics

All limits are guaranteed with  $V_{DD} = 3.3V$ ,  $V_{DDHV} = 12V$ ,  $T_{AMB} = 25^{\circ}C$ . The parameters with min and max values are guaranteed with production tests or SQC (Statistical Quality Control) methods.

If  $V_{DD}$  and  $V_{DDHV}$  are to be the same voltage, they should be sourced by the same 2.97-3.6V supply.

**Figure 6:**  
Electrical Characteristics

Symbol	Parameter	Conditions	Min	Typ	Max	Unit
<b>General Operating Conditions</b>						
VDD	Low Voltage Operating Supply		2.97	3.3	3.6	V
VDDHV	High Voltage Operating Supply		VDD	12	15	V
$T_{AMB}$	Operating Temperature		-40	25	85	$^{\circ}C$
$I_{VDD}$	Operating Current				5	mA
<b>Internal RC Oscillator</b>						
$F_{OSC}$	Internal RC Oscillator Frequency		15.7	16	16.3	MHz
$t_{JITTER}^{(1)}$	Jitter	@25 $^{\circ}C$			1.2	ns
<b>0-10V Output (0_10V_O pin)</b>						
$R_{OUT\_10}$	Resistive Load		1			k $\Omega$
$I_{S\_10}$	Source Current		10			mA
$I_{SINK\_10}$	Sink Current		-10			mA
$I_{LEAK\_HV}$	HV Output Leakage Current	VIN=12V, DAC and PWM1 both disabled	-1.6		-0.73	mA
$C_{LOAD\_10}$	Capacitive Load				100	pF
$V_{OUT\_10}^{(2)}$	Output Swing		0		10	V
<b>AUX Input</b>						
AUX <sub>IN</sub>	AUX Input Voltage	For 100% AUX A/D Conversion		3.0		V
$R_{IN\_AUX}$	Analog Input Resistance		168	240	312	k $\Omega$
<b>0-10V Inputs (0_10V_DIM and LDIM)</b>						
$R_{IN\_HV}$	Analog Input Resistance	$V_{DDHV} \geq 12V$	138	200	315	k $\Omega$

Symbol	Parameter	Conditions	Min	Typ	Max	Unit
<b>DAY_EN and LDIM Inputs</b>						
$V_{MAX\_DAY\_EN}$	Maximum Pin Voltage for DAY_EN				VDD + 0.3	V
$V_{MAX\_LDIM}$	Maximum Pin Voltage for LDIM				VDDHV+ 0.3	V
$R_{INT\_DAY\_EN}$	Internal Resistor (to GND) for DAY_EN Pin			10		k $\Omega$
<b>Temperature Sensor</b>						
$D_{TEMP}$	Absolute Accuracy of the Internal Temperature Measurement		-8.5		8.5	$^{\circ}$ C
<b>Indicator LED</b>						
$I_{IND}$	LED Current		1		8	mA
$I_{ACC}$	Accuracy of Current		-30		30	%
$V_{LED}$	Voltage Range of Connected LED	Vds of current sink	0.3		VDD	V
<b>Digital Inputs and Outputs</b>						
$I_{IH}, I_{IL}$	Logic Input Current	Vin=0V or VDD	-1		1	$\mu$ A
$I_{IL}$ SYNC/RESN	Logic Input Current (SYNC/RESN pin)	Vin=0V	-1		-0.2	mA
$V_{IH}$	CMOS Logic High Input		0.7* VDD		VDD	V
$V_{IL}$	CMOS Logic Low Input		0		0.3* VDD	V
$V_{OH}$	CMOS Logic High Output	I=1 mA			VDD-0.4	V
$V_{OL}$	CMOS Logic Low Output	I=1 mA			0.4	V
$t_{RISE}^{(1)}$	Current Rise Time	C(Pad)=30pF			5	ns
$t_{FALL}^{(1)}$	Current Fall Time	C(Pad)=30pF			5	ns

**Note(s):**

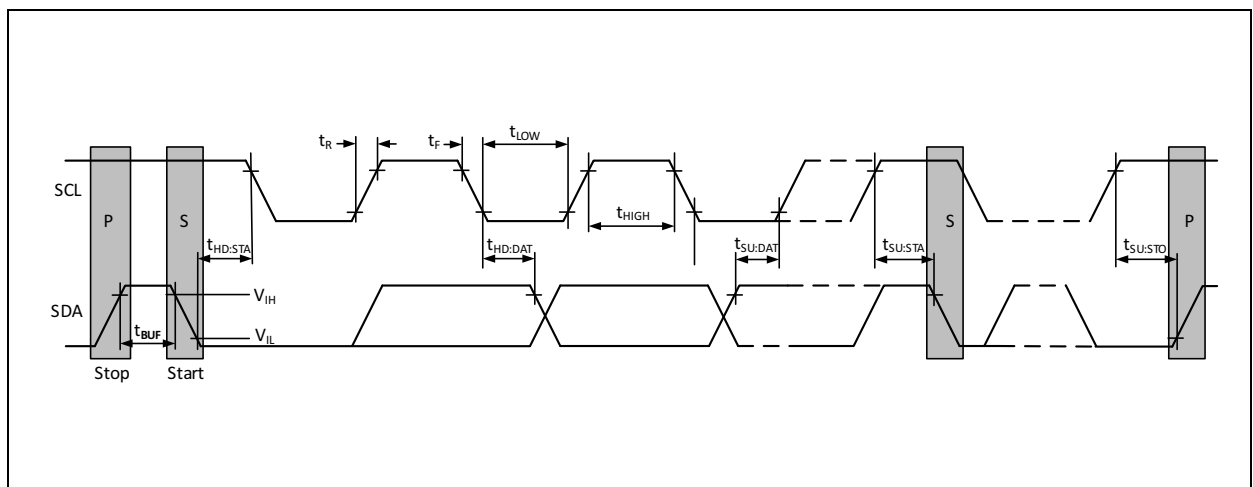
1. Guaranteed, not production tested
2. For VDDHV>10.5, output max is 10V, else output max tracks VDDHV



**Figure 7:**  
I<sup>2</sup>C Master Timing Characteristics

Symbol	Parameter	Conditions	Min	Typ	Max	Unit
<b>I<sup>2</sup>C Interface</b>						
f <sub>SCLK</sub>	SCL Clock Frequency			100	400	kHz
t <sub>BUF</sub>	Bus Free Time Between a STOP and START		1.3			μs
t <sub>HD:STA</sub>	Hold Time (Repeated) START		0.6			μs
t <sub>LOW</sub>	LOW Period of SCL Clock		1.3			μs
t <sub>HIGH</sub>	HIGH Period of SCL Clock		0.6			μs
t <sub>SU:STA</sub>	Setup Time for a Repeated START		0.6			μs
t <sub>HD:DAT</sub>	Data Hold Time		0		0.9	μs
t <sub>SU:DAT</sub>	Data Setup Time		100			ns
t <sub>R</sub>	Rise Time of Both SDA and SCL		20		300	ns
t <sub>F</sub>	Fall Time of Both SDA and SCL		20		300	ns
t <sub>SU:STO</sub>	Setup Time for STOP Condition		0.6			μs
C <sub>B</sub>	Capacitive Load for Each Bus Line	CB — total capacitance of one bus line in pF			400	pF
C <sub>I/O</sub>	I/O Capacitance (SDA, SCL)				10	pF

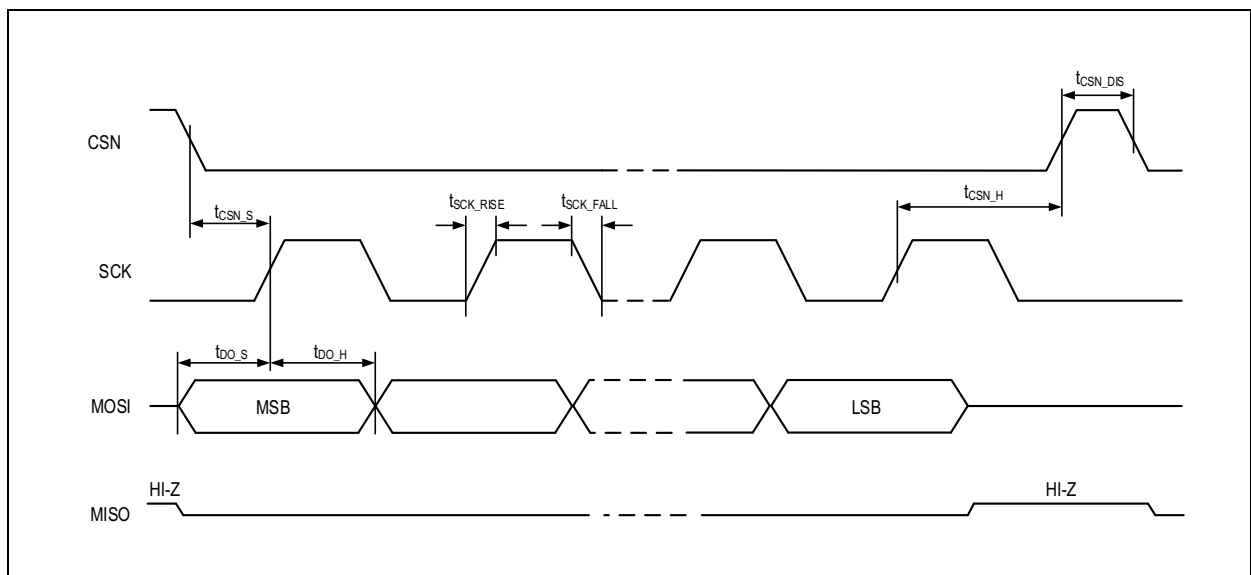
**Figure 8:**  
I<sup>2</sup>C Master Timing Diagram



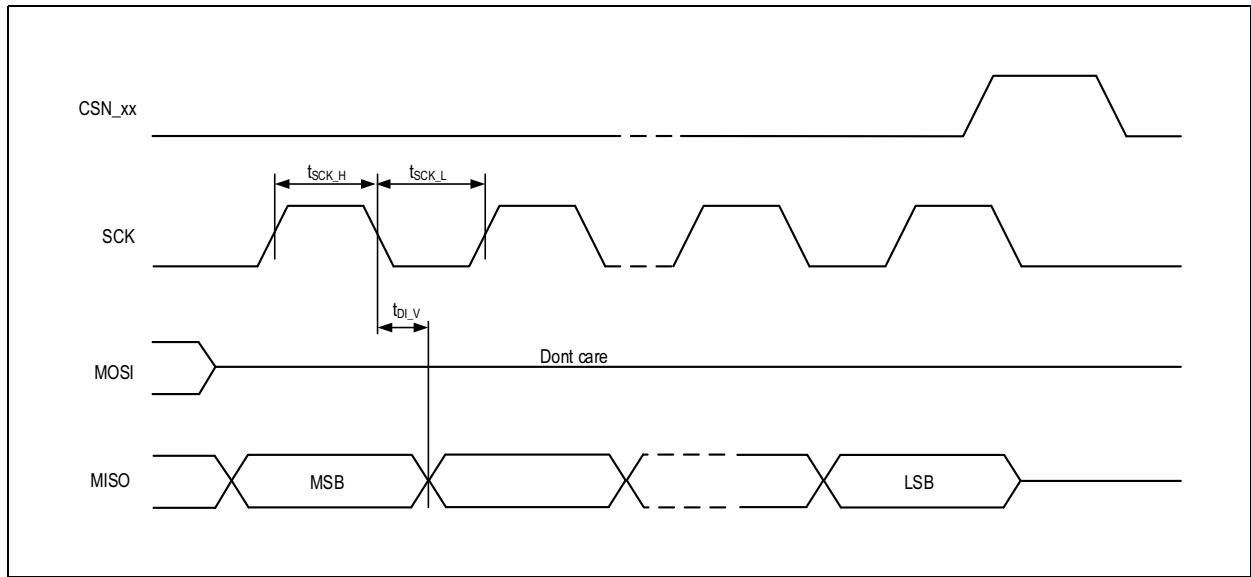
**Figure 9:**  
SPI Timing Characteristics

Symbol	Parameter	Conditions	Min	Typ	Max	Unit
<b>SPI Interface</b>						
$f_{SCK}$	Clock Frequency		0		16	MHz
$t_{SCK\_H}$	Clock High Time		40			ns
$t_{SCK\_L}$	Clock Low Time		40			ns
$t_{SCK\_RISE}$	SCK Rise Time		5			ns
$t_{SCK\_FALL}$	SCK Fall Time		5			ns
$t_{CSN\_S}$	CSN Setup Time	Time between CSN high-low transition to first SCK high transition	50			ns
$t_{CSN\_H}$	CSN Hold Time	Time between last SCK falling edge and CSN low-high transition	100			ns
$t_{CSN\_DIS}$	CSN Disable Time		100			ns
$t_{DO\_S}$	Data-Out Setup Time		5			ns
$t_{DO\_H}$	Data-Out Hold Time		5			ns
$t_{DI\_V}$	Data-In Valid		10			ns

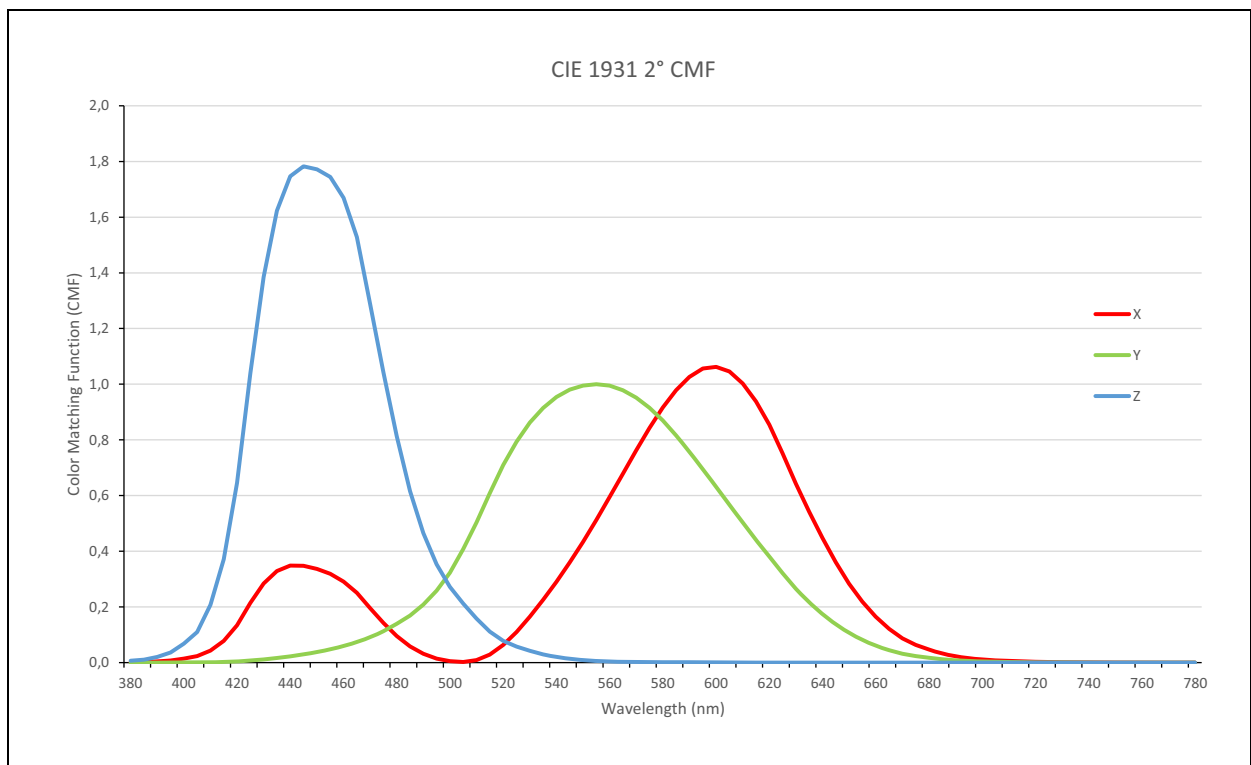
**Figure 10:**  
SPI Master Write Timing Diagram



**Figure 11:**  
**SPI Master Read Timing Diagram**



**Figure 12:**  
**Typical Spectral Responsivity**



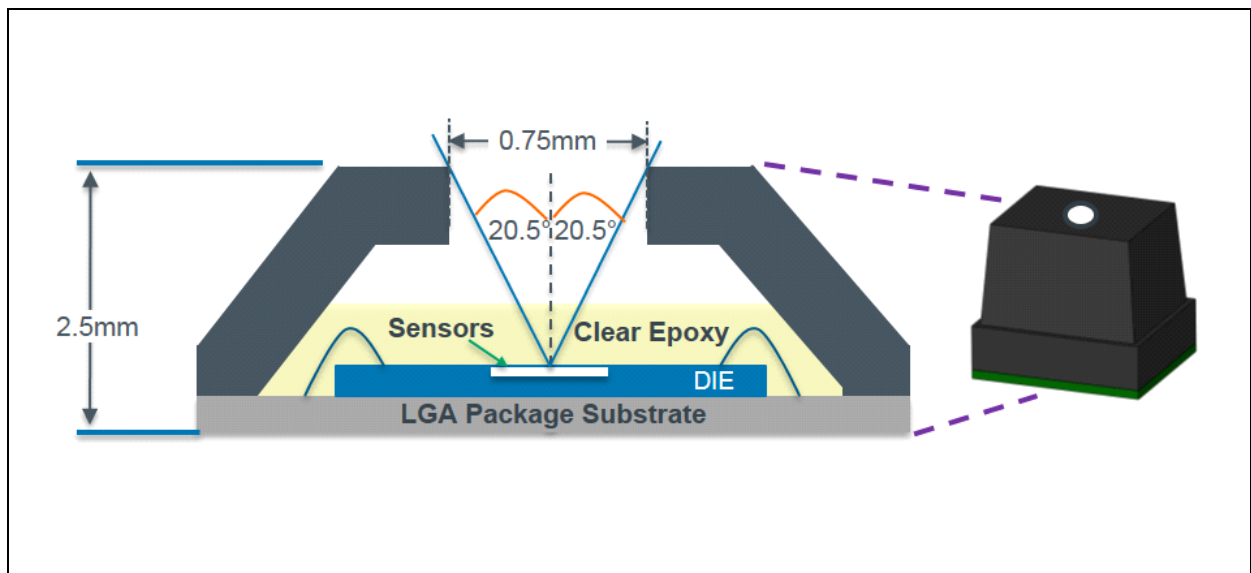
**Figure 13:**  
AS7220 Optical Characteristics

Symbol	Parameter	Conditions	Min	Typ <sup>(1)</sup>	Max	Unit
Color_m <sup>(2)</sup>	Color Measurement Accuracy	White Light CCT=2700K, 3500K, 4500K and 5700K		0.002		du'v'
Z_count	Z Channel Count Accuracy	White light CCT = 5700K	3.375	4.5	5.625	counts/ ( $\mu\text{W}/\text{cm}^2$ )

**Note(s):**

1. Typical values at Lux  $\geq 50$ , Integration time=400.4ms, Gain=1x,  $T_{\text{AMB}} = 25^\circ\text{C}$ .
2. Calibration and measurements are made using diffused light.

**Figure 14:**  
AS7220 LGA Package Field of View



## Detailed Description

### AS7220 Smart Lighting Manager - Overview

The Cognitive Light Engine (CLE) is the “brains” of the Smart Lighting Manager. The CLE constantly processes information from the calibrated XYZ chromatic white/color sensor and inputs while controlling outputs. AS7220 initial setup and ongoing parameter storage is automatically performed by software within the required external serial flash memory, via SPI bus.

XYZ color point response is implemented via standard observer interference filters which are extremely stable over time and temperature. Filter accuracy is affected by the optical angle of incidence which itself is limited by an integrated aperture and an internal micro-lens structure in the AS7220. The package field of view (PFOV) is  $\pm 20.5^\circ$  to deliver the specified accuracy. External optics can be used as needed to expand or reduce this built in PFOV.

A luminaire solution for chromatic white/color maintenance with CCT maintenance and/or lumen maintenance requires the AS7220. A luminaire solution with chromatic white color/maintenance, lumen maintenance and daylighting requires only the addition of an **ams** TSL4531 single chip ambient light sensor, connected via I<sup>2</sup>C. Refer to the table in [Figure 15](#) below.

Overall AS7220 timing generation uses an on chip 16MHz temperature compensated oscillator for master clock timing.

Refer to the separate AS7220 User Guide for additional usage and setup information.

**Figure 15:**  
AS7220 Solution Chart

Solution Required			Device Orientation (from luminaire light source)	
Chromatic Color Maintenance	Lumen Maintenance	Daylighting	AS7220	TSL4531 (optional)
✓	✓	✗	↑ (into luminaire)	✗ (not required)
✓	✓	✓	↑ (into luminaire)	↓ (into room)

### XYZ Chromatic White Color Sensor

The XYZ chromatic white/color sensor, part of the AS7220 Cognitive Light Engine (CLE), is a next-generation digital color sensor device. The sensor contains an integrating analog-to-digital converter (16-bit resolution ADC), which integrates current from photodiodes. Upon completion of the conversion cycle, the result is transferred to the corresponding data registers. Transfers are double-buffered to ensure integrity of the data is maintained.

### AS7220 Inputs

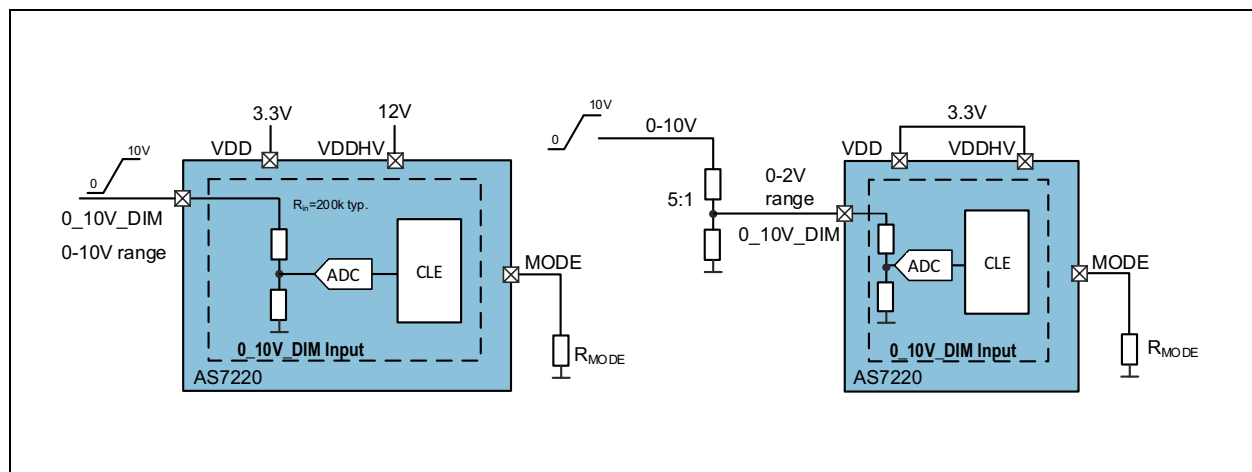
**Figure 16:**  
VDDHV Based Settings for Inputs

VDDHV	Dimming
10.5-15V	Direct input for 0_10V_DIM, dimming input
2.97-10V <sup>(1)</sup>	External 5:1 resistor divider for 0-10V_DIM, dimming input <sup>(2)</sup>

**Note(s):**

1. For VDDHV <= 3.6V, VDDHV and VDD should be tied together.
2. With external dividers connected to 0-10V inputs, the max voltage to the device input is 2V.

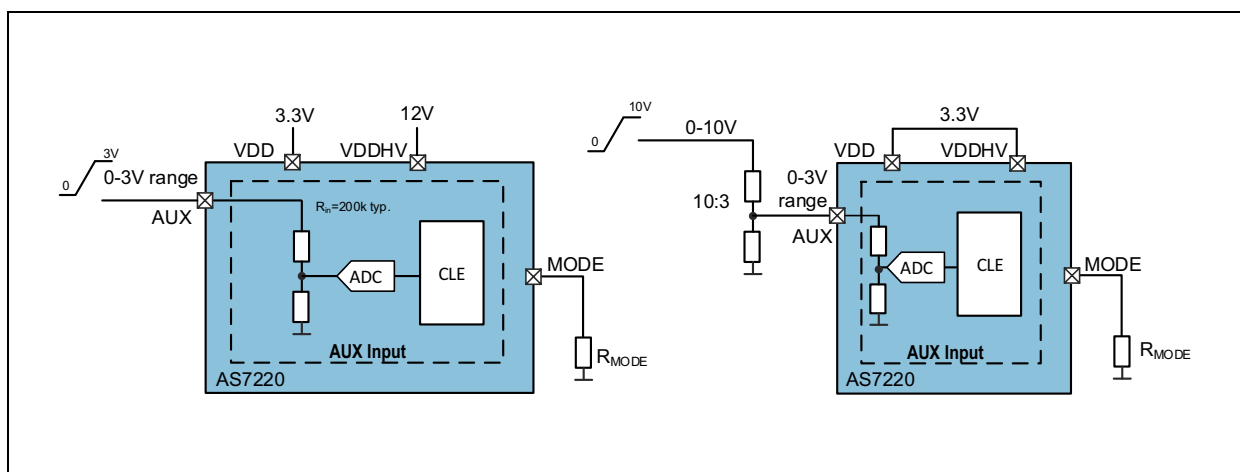
**Figure 17:**  
0-10V Dimming Pin Input



For the AS7220, dimming is accomplished from the input pin (0\_10V\_DIM). Local hardware inputs can be provided by, for example, a slide control dimmer. The 0-10V DIM analog input signal is downscaled by the AS7220 with an internal voltage divider and converted to a 10 bit digital value, 0V=full dimming, 10V=no dimming. When using the internal voltage divider the voltage at the VDDHV pin has to be higher than 10V, typically 12V.

If a second supply is not available, VDDHV and VDD are tied together and the downscale has to be implemented using an external resistor divider. The maximum range in the downscaled input is limited to 2V. Hence to accept a full range 10V signal the input resistor divider has to be 5:1 ratio. Dependent on the level at pin VDDHV the Smart Lighting Manager automatically scales the internal A/D for either a 0-2V or 0-10V range. Refer to the Figures above. If the 0\_10V\_DIM pin is not used, an external resistor pull-up connecting it to VDDHV is recommended.

**Figure 18:**  
AUX Input



The AUX input is used as a sensor input to allow additional control, in addition to the 0-10V slider dimming function the 0\_10V\_DIM pin does. The sensed AUX voltage is scaled and used to multiply the dimming scale. The auxiliary sensor input (AUX) has a 0-3V range for its default analog sensing mode. With this 0-3V range external ranges such as 0-10V can be accommodated using external resistor divider networks such as a 10:3 network for a 0-10V occupancy sensor. The AUX pin can also be configured for digital sensing (0, 1 where 1=VDD) in one of two ways. A flash memory reserved location can be set when programming the Flash device for operation, or external I<sup>2</sup>C access port expanders native to the AS7220 can be used to set digital sensing. Refer to the separate AS7220 User Guide for detailed design information for AUX usage. If the AUX pin is not used, an external resistor pull-up connecting it to VDD is recommended.

External sensors with native support by the AS7220 can be added via the I<sup>2</sup>C master interface. For example the **ams** TSL4531 can be used to add Daylighting operation to the AS7220. Once the TSL4531 is detected by the AS7220, and the DAY\_EN pin has been set to 1 (VDD), daylighting operation begins.

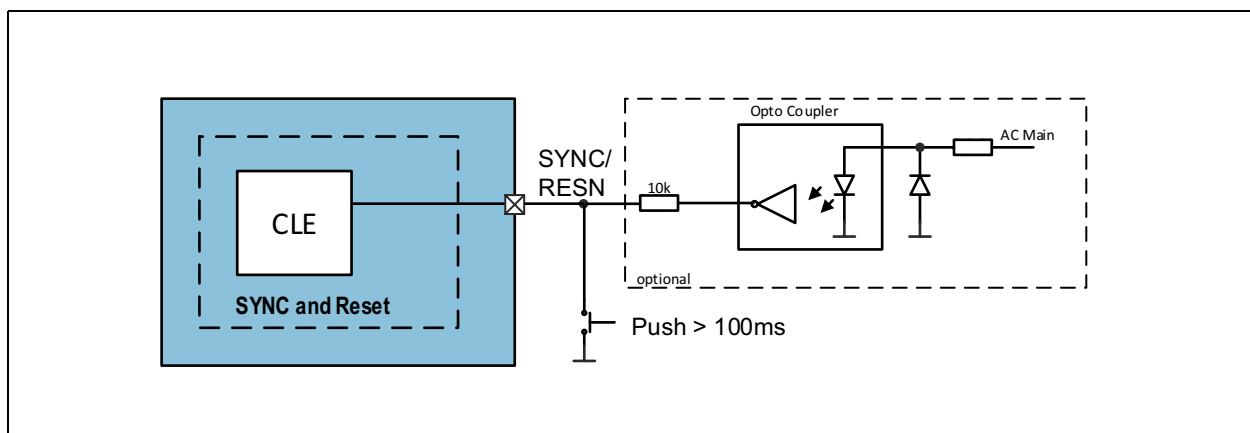
Lumen and/or CCT maintenance can also be configured two ways. One is by programming reserved AS7220 flash memory locations when the entire memory is being programmed.

Alternately, for the flexibility of being able to set these maintenance functions with dip switches designed into the luminaire, the AS7220 I<sup>2</sup>C master interface can be used to interface to I<sup>2</sup>C port expanders that are native to the AS7220. These ports are then automatically used to read dip-switch settings for maintenance. Refer to the separate AS7220 User Guide for detailed design information for Lumen and CCT maintenance.

The AS7220 can also use an input, the LDIM pin, to set a maximum LUX target for the dimmer input (0\_10V\_DIM pin). The LDIM pin voltage is converted to one of five max LUX target settings: 0 (LDIM off), 100, 250, 500 or 1000. An LDIM setting, other than 0 (off), is only used if daylighting is enabled (DAY\_EN pin) and the AS7220 detects an external **ams** TSL4531 needed for daylighting as described above. The daylighting LUX target is set one of two ways. If LDIM is off, the LUX target is set after every movement of the dimmer input by briefly opening the daylighting control loop and measuring LUX. If LDIM is on, the dimmer input sets the LUX target by percentage (0-100%) of the LDIM LUX maximum setting. Refer to the separate AS7220 User Guide for detailed design information for LDIM operation.

### Synchronization and Reset

**Figure 19:**  
Synchronization and Reset Circuit



**Synchronization and Reset Circuit:** This figure shows the basic diagram when using reset and synchronization function together.

AS7220 provides optional synchronization of the PWMs. This sync signal can be derived from the AC mains to enable all luminaires in a room to be synchronized to prevent beat frequency flicker. If the SYNC pin is left open, synchronization is automatically disabled by the internal pull-up connected to the SYNC/RESN pin.

Refer to the Figure above. When pulled down for more than 100ms the SYNC/RESN pin will reset the AS7220 Smart Lighting Manager. In this case the push-button “overrides” the output of the opto-coupler. Therefore a resistor should be placed in series with the opto-coupler.



## AS7220 Outputs

The AS7220 outputs, used to control dimming and LED warm/cool strings, can be configured as either three PWM outputs, two PWMs and one analog output, or two PWMs. The PWMs are 12 bit and are factory set to 888 Hz. Refer to the Figure below.

The three PWM outputs, PWM\_1, PWM\_2 and PWM\_3 all switch with the same frequency, but not simultaneously for better EMI performance.

The PWM\_1 output can be set to either analog (0-VDDHV) or digital (0-VDDHV) dimming. Analog dimming range is 0-100%. Digital Dimming range is 0-100%. PWM2 and PWM3 are used for cool white and warm white LED color controlling. Either string can be warm or cool as the AS7220 automatically configures string color type. Range is 0-100% for both PWM2 and PWM3.

To set the desired device operation MODE use the appropriate  $R_{MODE}$  resistor, also shown in the Figure below.

**Figure 20:**  
Outputs

MODE	$R_{MODE}$	Setting	Outputs	
			PWM_1/0_10V_O	PWM_2 and PWM_3
0	100 $\Omega$	0-10V analog	Analog 0-VDDHV <sup>(1)</sup>	Digital PWMs (0-VDD)
1	470 $\Omega$	0-10V digital	Digital PWM (0-VDDHV) <sup>(1)</sup>	Digital PWMs (0-VDD)
2	1000 $\Omega$	Digital 2-CH color tuning	n.a.	Digital PWMs (0-VDD), w/Dimming

**Note(s):**

1. For VDDHV>10.5, output max is 10V, else output max tracks VDDHV.

### Indicator LED

An LED, connected to pin LED\_IND, is used to indicate programming progress of the device. During programming of the AS7220 via an external SD card, the indicator LED starts blinking operation. When programming is finished the indicator LED stays on. The LED\_IND pin is set for 1 mA operation by the AS7220 factory firmware, and is not under user control.

Refer to the separate **ams** document for a complete description of AS7220 Firmware Update Methodology.

## I<sup>2</sup>C Master Interface (Local Sensor Interface)

The I<sup>2</sup>C Master interface can be used to connect external sensors native to the AS7220 (such as Daylight, Occupancy, CO sensors, etc.). Refer to the separate **ams** Application note for external sensor usage with the AS7220.

### *I<sup>2</sup>C Feature List*

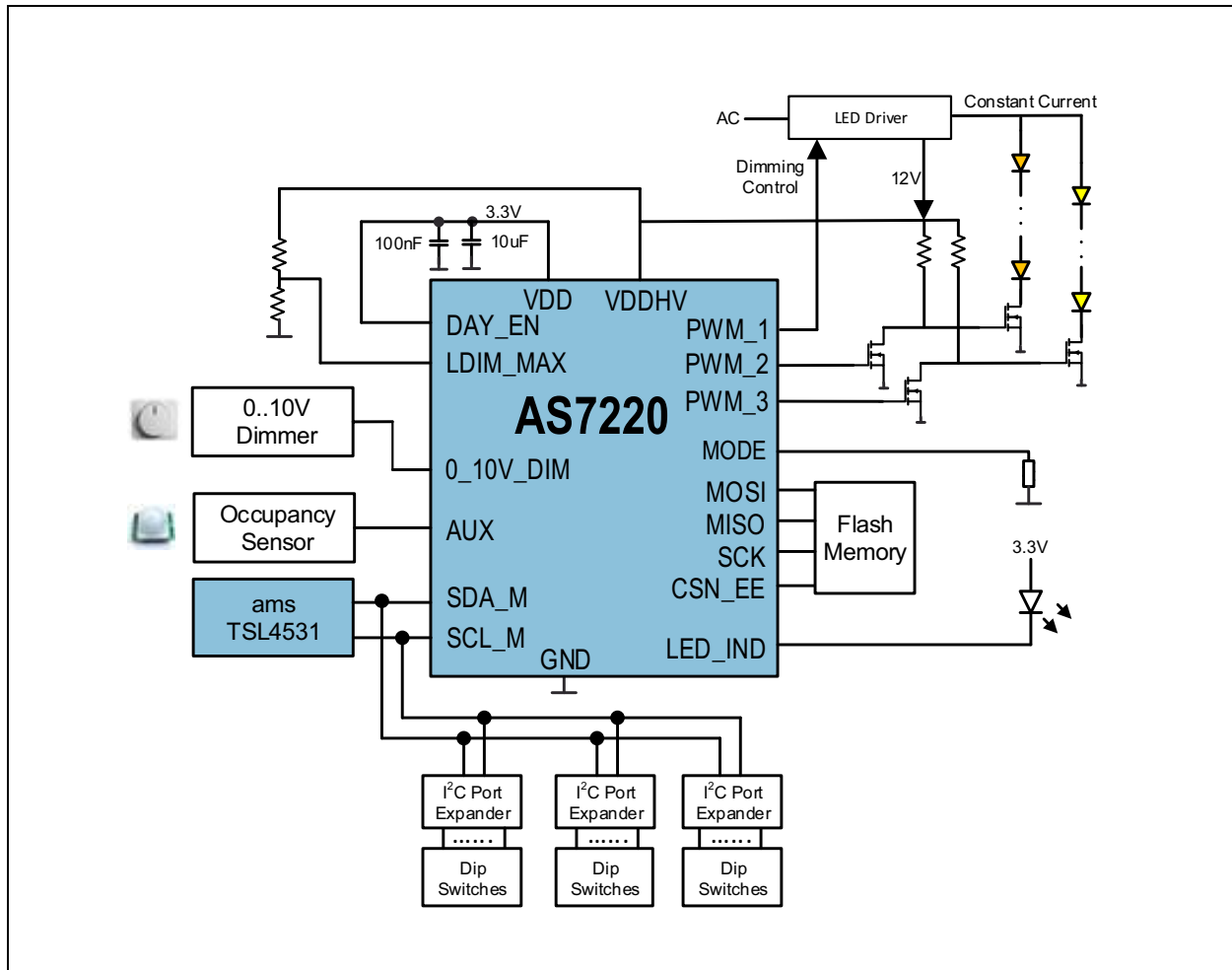
- Clock is set to 100kHz
- 7+1-bit addressing mode.
- **Write formats:** Single-Byte-Write, Page-Write
- **Read formats:** Random-Read, Sequential-Read

The AS7220 is compatible to the NXP two wire specifications. [http://www.nxp.com/documents/user\\_manual/UM10204.pdf](http://www.nxp.com/documents/user_manual/UM10204.pdf) Version 4.0 Feb 2012 for standard mode and fast mode.

## Application Information

### Schematics

**Figure 21:**  
LED Chromatic Color and Lumen Maintenance with Daylighting



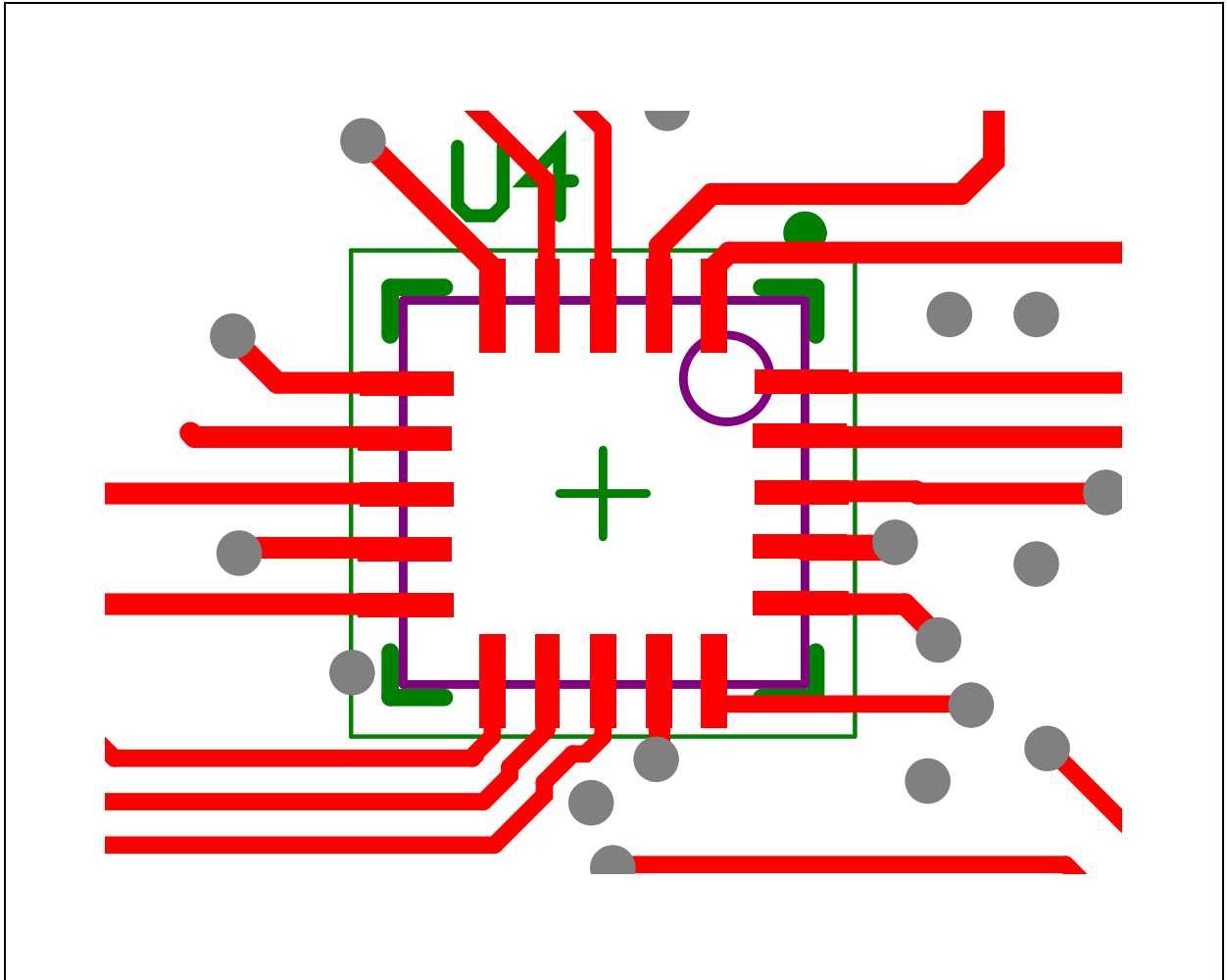
**Note(s):**

1. Mechanically, the AS7220 is inward luminaire looking for color tuning and the **ams** TSL4531 is outward luminaire looking to support Daylighting.
2. The I<sup>2</sup>C port expanders and dip switches are only needed to allow field setting of desired Color and Lumen Maintenance values. The port expanders are not needed if a one time setting of maintenance values when the luminaire is manufactured is desired, as one time settings can be made in the external flash memory at the time of flash programming.
3. Refer to the AS7220 User Guide for detailed design and general information regarding Lumen and CCT maintenance.

## PCB Layout

Suggested PCB pad layout guidelines for the LGA package are shown. Flash Gold is recommended as a surface finish for the landing pads.

Figure 22:  
Typical Layout Routing

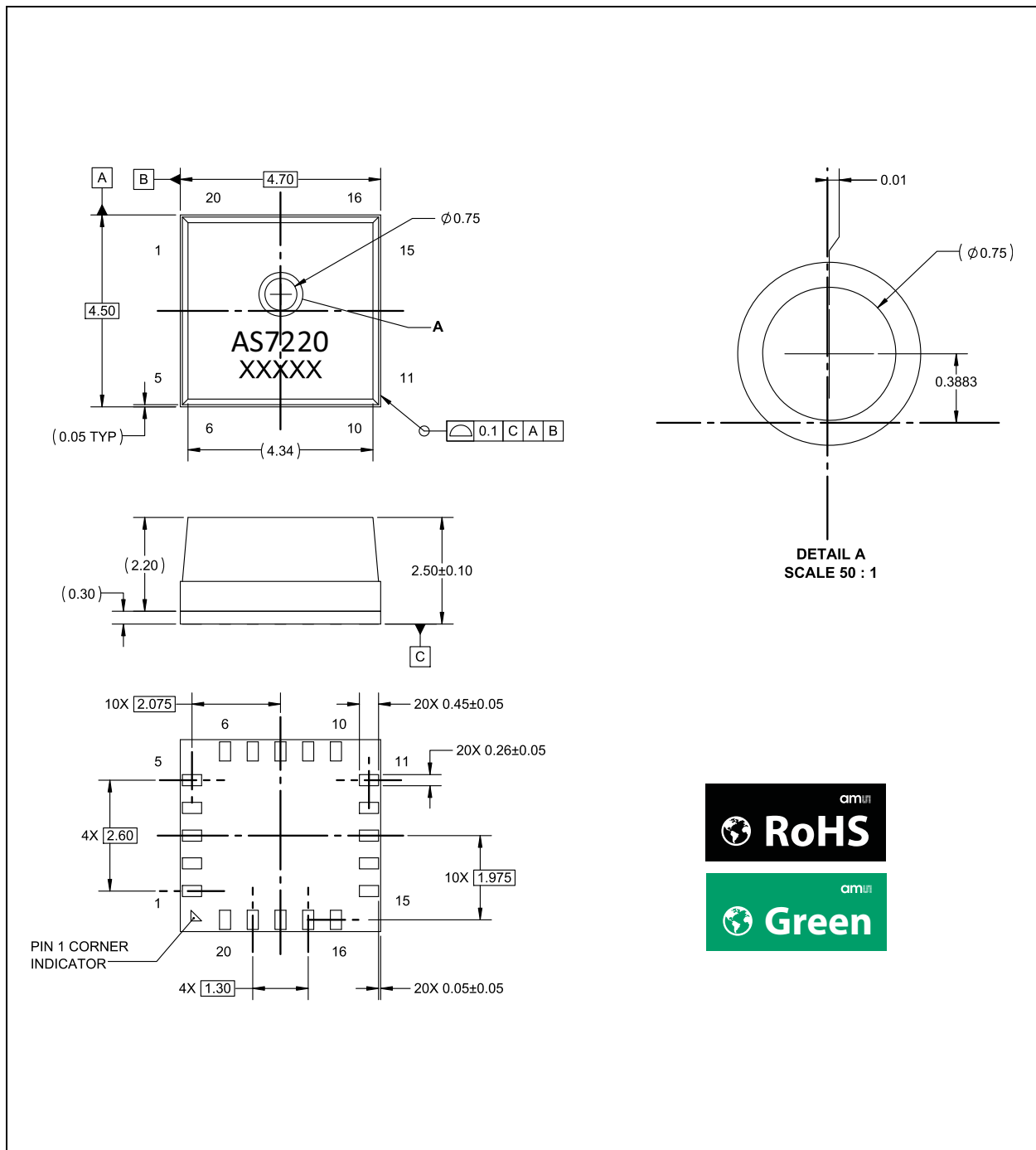


In order to prevent interference, avoid trace routing feedthroughs with exposure directly under the AS7220. An example routing is illustrated in the diagram.

The AS7220 Smart Lighting Integration Kit (SLIK) demo board with schematic and PCB layout documentation is available from **ams** for additional design information.

## Package Drawings & Markings

**Figure 23:**  
Package Drawing



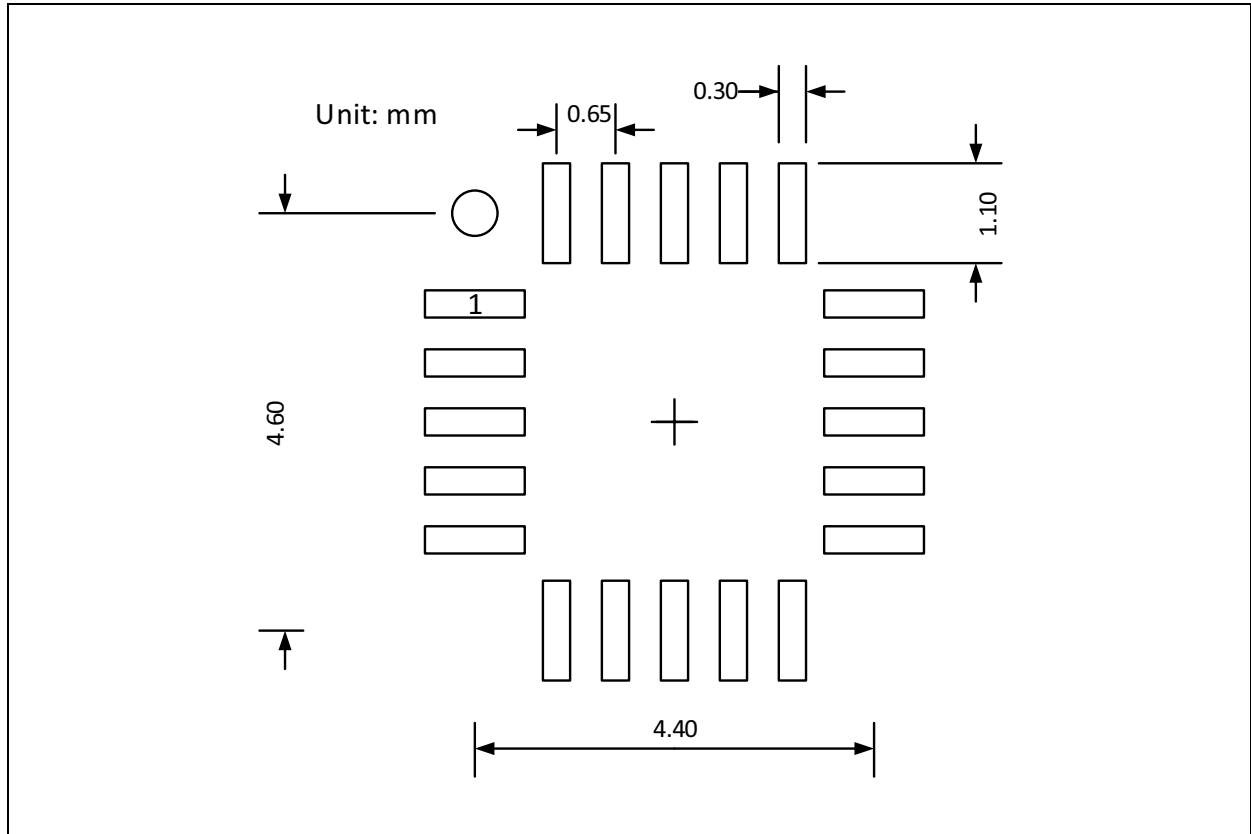
**Note(s):**

1. XXXXX = tracecode
2. Unless otherwise specified, all dimensions are in millimeters.
3. Tolerances: Angular ( $\pm 0.5^\circ$ ), Two Place Decimal ( $\pm 0.015$ ), Three Place Decimal ( $\pm 0.010$ )
4. Contact finish is Au.
5. This package contains no lead (Pb).
6. This drawing is subject to change without notice.

**PCB Pad Layout**

Suggested PCB pad layout guidelines for the LGA package are show. Flash Gold is recommended as a surface finish for the landing pads.

**Figure 24:**  
Recommended PCB Pad Layout

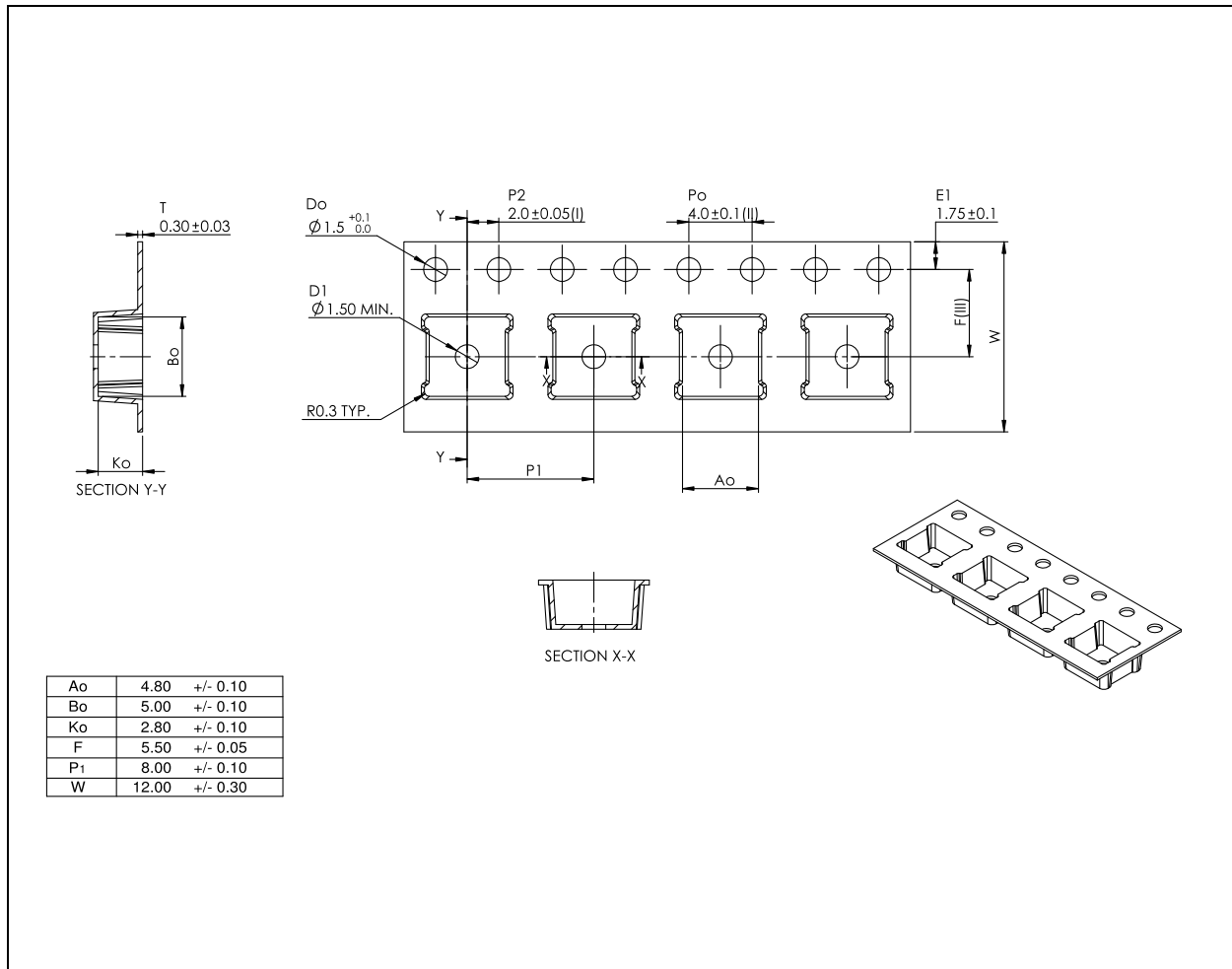


**Note(s):**

1. Unless otherwise specified, all dimensions are in millimeters.
2. Dimensional tolerances are  $\pm 0.05\text{mm}$  unless otherwise noted.
3. This drawing is subject to change without notice.

## Mechanical Data

**Figure 25:**  
Tape & Reel Information



**Note(s):**

1. All dimensions in millimeters unless of otherwise stated.
2. Measured from centreline of sprocket hole to centreline of pocket.
3. Cumulative tolerance of 10 sprocket holes is  $\pm 0.20$ .
4. Measured from centreline of sprocket hole to centreline of pocket.
5. Other material available.

## Soldering, Manufacturing Process Considerations & Storage Information

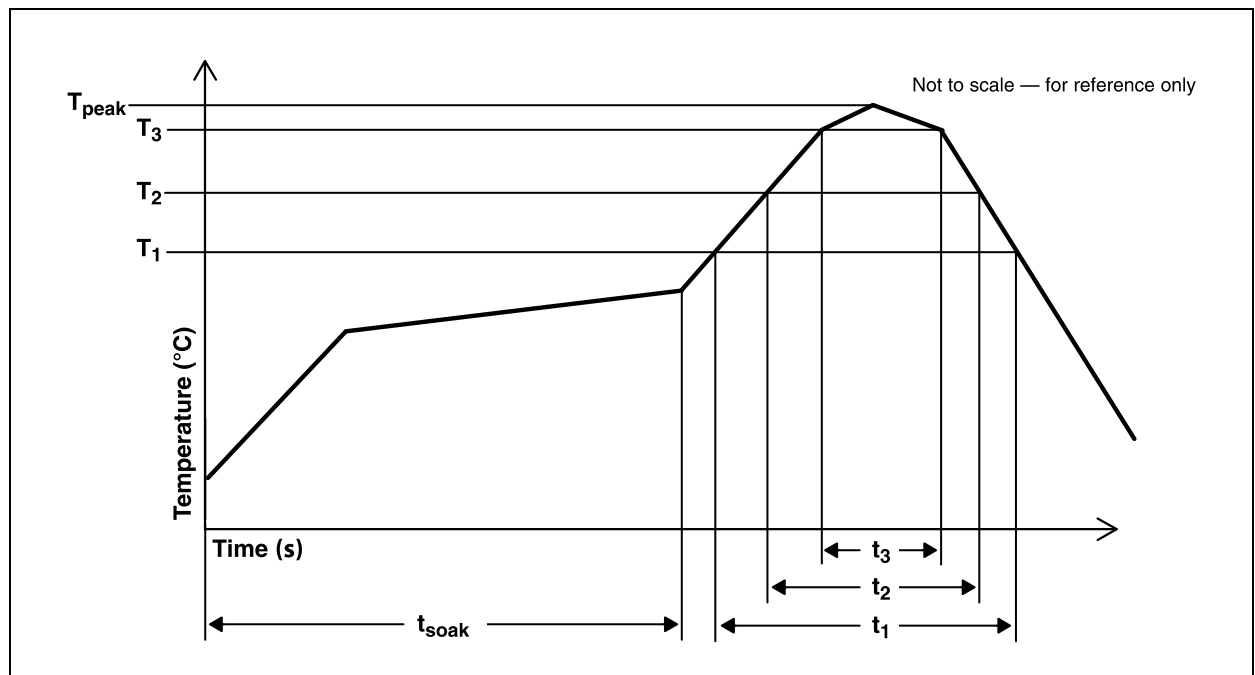
### Solder Reflow Profile

The module has been tested and has demonstrated an ability to be reflow soldered to a PCB substrate. The solder reflow profile describes the expected maximum heat exposure of components during the solder reflow process of product on a PCB. Temperature is measured on top of component. The components should be limited to a maximum of three passes through this solder reflow profile.

**Figure 26:**  
Recommended Reflow Soldering Profile

Profile Feature	Reference	Device
Average temperature gradient in preheating		2.5°C/s
Soak Time	$t_{SOAK}$	2 to 3 minutes
Time above 217°C (T1)	$t_1$	Max 60s
Time above 230°C (T2)	$t_2$	Max 50s
Time above $T_{peak} - 10^\circ\text{C}$ (T3)	$t_3$	Max 10s
Peak temperature in reflow	$T_{peak}$	260°C
Temperature gradient in cooling		Max - 5°C/s

**Figure 27:**  
Soldering Profile Graph





## **Manufacturing Process Considerations**

The AS7220 package is compatible with standard reflow no-clean and cleaning processes including aqueous, solvent or ultrasonic techniques. However, as an open-aperture device, precautions must be taken to avoid particulate or solvent contamination as a result of any manufacturing processes, including pick and place, reflow, cleaning, integration assembly and/or testing. Temporary covering of the aperture is allowed. To avoid degradation of accuracy or performance in the end product, care should be taken that any temporary covering and associated sealants/debris are thoroughly removed prior to any optical testing or final packaging.

## **Storage Information**

Moisture Sensitivity Optical characteristics of the device can be adversely affected during the soldering process by the release and vaporization of moisture that has been previously absorbed into the package. To ensure the package contains the smallest amount of absorbed moisture possible, each device is baked prior to being dry packed for shipping. Devices are dry packed in a sealed aluminized envelope called a moisture-barrier bag with silica gel to protect them from ambient moisture during shipping, handling, and storage before use.

## **Shelf Life**

The calculated shelf life of the device in an unopened moisture barrier bag is 12 months from the date code on the bag when stored under the following conditions:

- Shelf Life: 12 months
- Ambient Temperature: <40°C
- Relative Humidity: <90%

Rebaking of the devices will be required if the devices exceed the 12 month shelf life or the Humidity Indicator Card shows that the devices were exposed to conditions beyond the allowable moisture region.

**Floor Life**

The module has been assigned a moisture sensitivity level of MSL 3. As a result, the floor life of devices removed from the moisture barrier bag is 168 hours from the time the bag was opened, provided that the devices are stored under the following conditions:

- Floor Life: 168 hours
- Ambient Temperature: <30°C
- Relative Humidity: <60%

If the floor life or the temperature/humidity conditions have been exceeded, the devices must be rebaked prior to solder reflow or dry packing.

**Rebaking Instructions**

When the shelf life or floor life limits have been exceeded, rebake at 50°C for 12 hours.

## Ordering & Contact Information

Figure 28:  
Ordering Information <sup>(1)</sup>

Ordering Code	Description	Package	Marking	Delivery Form	Delivery Quantity
AS7220- BLGT	Calibrated CCT and Lumen Maintenance Smart Lighting Manager	20-pin LGA	AS7220	Tape & Reel	2000 pcs/reel

**Note(s):**

1. Required companion serial flash memory (must be **ams** verified) is ordered from the flash memory supplier (e.g. AT25SF041-SSHD-B from Adesto Technologies).
2. AS7220 flash memory software is available from **ams**.

Buy our products or get free samples online at:

[www.ams.com/ICdirect](http://www.ams.com/ICdirect)

Technical Support is available at:

[www.ams.com/Technical-Support](http://www.ams.com/Technical-Support)

Provide feedback about this document at:

[www.ams.com/Document-Feedback](http://www.ams.com/Document-Feedback)

For further information and requests, e-mail us at:

[ams\\_sales@ams.com](mailto:ams_sales@ams.com)

For sales offices, distributors and representatives, please visit:

[www.ams.com/contact](http://www.ams.com/contact)

**Headquarters**

ams AG  
Tobelbader Strasse 30  
8141 Premstaetten  
Austria, Europe

Tel: +43 (0) 3136 500 0

Website: [www.ams.com](http://www.ams.com)

## RoHS Compliant & ams Green Statement

**RoHS:** The term RoHS compliant means that ams AG products fully comply with current RoHS directives. Our semiconductor products do not contain any chemicals for all 6 substance categories, including the requirement that lead not exceed 0.1% by weight in homogeneous materials. Where designed to be soldered at high temperatures, RoHS compliant products are suitable for use in specified lead-free processes.

**ams Green (RoHS compliant and no Sb/Br):** ams Green defines that in addition to RoHS compliance, our products are free of Bromine (Br) and Antimony (Sb) based flame retardants (Br or Sb do not exceed 0.1% by weight in homogeneous material).

**Important Information:** The information provided in this statement represents ams AG knowledge and belief as of the date that it is provided. ams AG bases its knowledge and belief on information provided by third parties, and makes no representation or warranty as to the accuracy of such information. Efforts are underway to better integrate information from third parties. ams AG has taken and continues to take reasonable steps to provide representative and accurate information but may not have conducted destructive testing or chemical analysis on incoming materials and chemicals. ams AG and ams AG suppliers consider certain information to be proprietary, and thus CAS numbers and other limited information may not be available for release.

## Copyrights & Disclaimer

Copyright ams AG, Tobelbader Strasse 30, 8141 Premstaetten, Austria-Europe. Trademarks Registered. All rights reserved. The material herein may not be reproduced, adapted, merged, translated, stored, or used without the prior written consent of the copyright owner.

Devices sold by ams AG are covered by the warranty and patent indemnification provisions appearing in its General Terms of Trade. ams AG makes no warranty, express, statutory, implied, or by description regarding the information set forth herein. ams AG reserves the right to change specifications and prices at any time and without notice. Therefore, prior to designing this product into a system, it is necessary to check with ams AG for current information. This product is intended for use in commercial applications. Applications requiring extended temperature range, unusual environmental requirements, or high reliability applications, such as military, medical life-support or life-sustaining equipment are specifically not recommended without additional processing by ams AG for each application. This product is provided by ams AG "AS IS" and any express or implied warranties, including, but not limited to the implied warranties of merchantability and fitness for a particular purpose are disclaimed.

ams AG shall not be liable to recipient or any third party for any damages, including but not limited to personal injury, property damage, loss of profits, loss of use, interruption of business or indirect, special, incidental or consequential damages, of any kind, in connection with or arising out of the furnishing, performance or use of the technical data herein. No obligation or liability to recipient or any third party shall arise or flow out of ams AG rendering of technical or other services.

## Document Status

Document Status	Product Status	Definition
Product Preview	Pre-Development	Information in this datasheet is based on product ideas in the planning phase of development. All specifications are design goals without any warranty and are subject to change without notice
Preliminary Datasheet	Pre-Production	Information in this datasheet is based on products in the design, validation or qualification phase of development. The performance and parameters shown in this document are preliminary without any warranty and are subject to change without notice
Datasheet	Production	Information in this datasheet is based on products in ramp-up to full production or full production which conform to specifications in accordance with the terms of ams AG standard warranty as given in the General Terms of Trade
Datasheet (discontinued)	Discontinued	Information in this datasheet is based on products which conform to specifications in accordance with the terms of ams AG standard warranty as given in the General Terms of Trade, but these products have been superseded and should not be used for new designs

## Revision Information

Initial production version 1-00