

AS7263

6-Channel NIR *Spectral_ID* Device with Electronic Shutter and Smart Interface

General Description

The AS7263 is a digital 6-channel spectrometer for spectral identification in the near IR (NIR) light wavelengths. AS7263 consists of 6 independent optical filters whose spectral response is defined in the NIR wavelengths from approximately 600nm to 870nm with full-width half-max (FWHM) of 20nm. An integrated LED driver with programmable current is provided for electronic shutter applications.

The AS7263 integrates Gaussian filters into standard CMOS silicon via Nano-optic deposited interference filter technology and is packaged in an LGA package that provides a built-in aperture to control the light entering the sensor array.

Control and Spectral data access is implemented through either the I²C register set, or with a high-level AT Spectral Command set via a serial UART.

Ordering Information and Content Guide appear at end of datasheet.

Key Benefits & Features

The benefits and features of AS7263, 6-Channel NIR *Spectral_ID* Device with Electronic Shutter and Smart Interface are listed below:

Figure 1:
Added Value of Using AS7263

Benefits	Features
<ul style="list-style-type: none"> Compact 6-channel spectrometry solution 	<ul style="list-style-type: none"> 6 near-IR channels: 610nm, 680nm, 730nm, 760nm, 810nm and 860nm, each with 20nm FWHM
<ul style="list-style-type: none"> Simple text-based command interface via UART, or direct register read and write with interrupt on sensor ready option on I²C 	<ul style="list-style-type: none"> UART or I²C slave digital Interface
<ul style="list-style-type: none"> Lifetime-calibrated sensing with no drift over time or temperature 	<ul style="list-style-type: none"> NIR filter set realized by silicon interference filters
<ul style="list-style-type: none"> No additional signal conditioning required 	<ul style="list-style-type: none"> 16-bit ADC with digital access
<ul style="list-style-type: none"> Electronic shutter control/synchronization 	<ul style="list-style-type: none"> Programmable LED drivers
<ul style="list-style-type: none"> Low voltage operation 	<ul style="list-style-type: none"> 2.7V to 3.6V with I²C interface
<ul style="list-style-type: none"> Small, robust package, with built-in aperture 	<ul style="list-style-type: none"> 20-pin LGA package 4.5mm x 4.7mm x 2.5mm, -40°C to 85°C temperature range

Applications

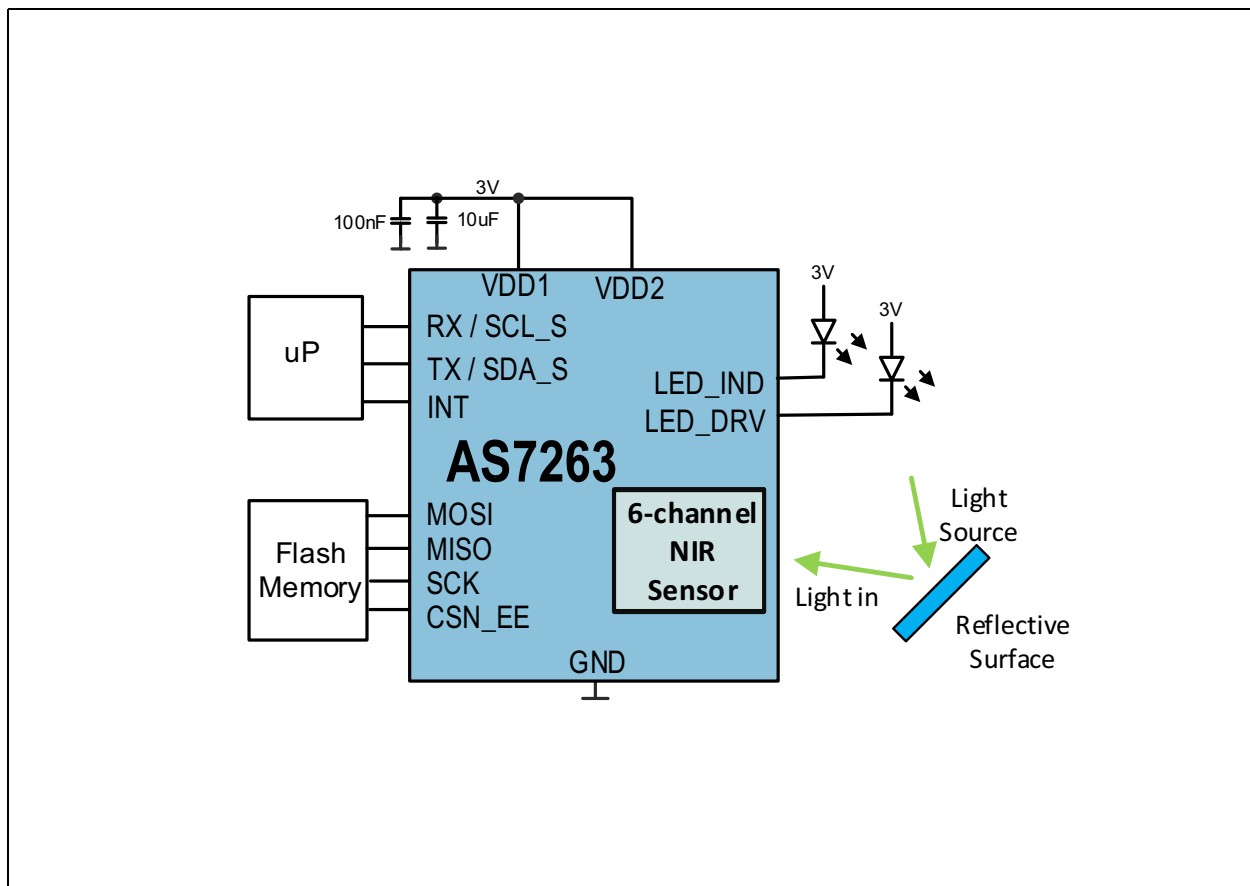
The AS7263 applications include:

- Product authentication
- Bank note/document validation
- Chemical analysis
- Food/beverage safety

Block Diagram

The functional blocks of this device are shown below:

Figure 2:
AS7263 NIR Spectral_ID System



Pin Assignment

The device pin assignments are described below.

Figure 3:
Pin Diagram (Top View)

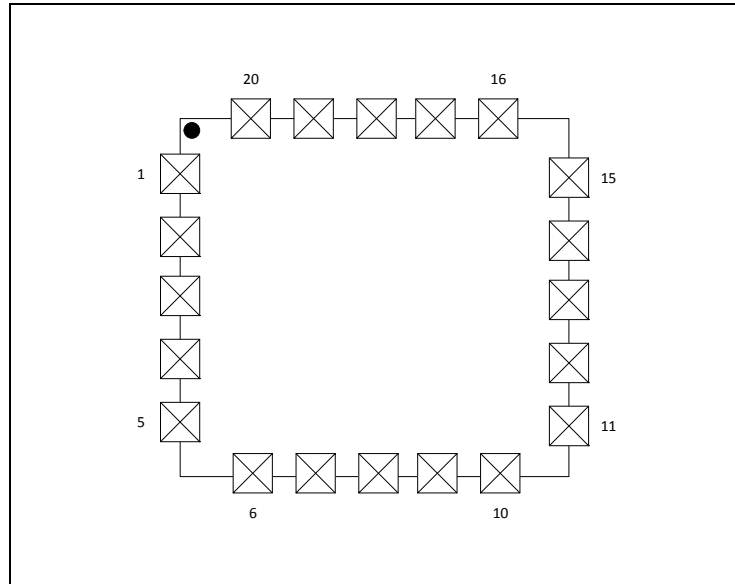


Figure 4:
Pin Description

Pin Number	Pin Name	Description
1	NF	Not Functional. Do not connect.
2	RESN	Reset, Active LOW
3	SCK	SPI Serial Clock
4	MOSI	SPI Master Out Slave In
5	MISO	SPI Master In Slave Out
6	CSN_EE	Chip Select for External Serial Flash Memory, Active LOW
7	CSN_SD	Chip Select for SD Card Interface, Active LOW
8	I2C_ENB	Select UART (Low) or I ² C (High) Operation
9	NF	Not Functional. Do not connect.
10	NF	Not Functional. Do not connect.
11	RX/SCL_S	RX (UART) or SCL_S (I ² C Slave) Depending on I ² C_ENB
12	TX/SDA_S	TX (UART) or SDA_S (I ² C Slave) Depending on I ² C_ENB
13	INT	Interrupt, Active LOW
14	VDD2	Voltage Supply

Pin Number	Pin Name	Description
15	LED_DRV	LED Driver Output for Driving LED, Current Sink
16	GND	Ground
17	VDD1	Voltage Supply
18	LED_IND	LED Driver Output for Indicator LED, Current Sink
19	NF	Not Functional. Do not connect.
20	NF	Not Functional. Do not connect.

Absolute Maximum Ratings

Stresses beyond those listed under [Absolute Maximum Ratings](#) may cause permanent damage to the device. These are stress ratings only. Functional operation of the device at these or any other conditions beyond those indicated under [Electrical Characteristics](#) is not implied. Exposure to absolute maximum rating conditions for extended periods may affect device reliability. The device is not designed for high energy UV (ultraviolet) environments, including upward looking outdoor applications, which could affect long term optical performance.

Figure 5:
Absolute Maximum Ratings

Symbol	Parameter	Min	Max	Units	Comments
Electrical Parameters					
V _{DD1_MAX}	Supply Voltage VDD1	-0.3	5	V	Pin VDD1 to GND
V _{DD2_MAX}	Supply Voltage VDD2	-0.3	5	V	Pin VDD2 to GND
V _{DD_IO}	Input/Output Pin Voltage	-0.3	VDD+0.3	V	Input/Output Pin to GND
I _{SCR}	Input Current (latch-up immunity)	± 100		mA	JESD78D
Electrostatic Discharge					
ESD _{HBM}	Electrostatic Discharge HBM	± 1000		V	JS-001-2014
ESD _{CDM}	Electrostatic Discharge CDM	± 500		V	JSD22-C101F
Temperature Ranges and Storage Conditions					
T _{STRG}	Storage Temperature Range	-40	85	°C	
T _{BODY}	Package Body Temperature		260	°C	IPC/JEDEC J-STD-020 The reflow peak soldering temperature (body temperature) is specified according to IPC/JEDEC J-STD-020 "Moisture/Reflow Sensitivity Classification for Non-hermetic Solid State Surface Mount Devices."
RH _{NC}	Relative Humidity (non-condensing)	5	85	%	
MSL	Moisture Sensitivity Level	3			Maximum floor life time of 168 hours

Electrical Characteristics

All limits are guaranteed with $V_{DD} = V_{DD1} = V_{DD2} = 3.3V$, $T_{AMB} = 25^{\circ}C$. The parameters with min and max values are guaranteed with production tests or SQC (Statistical Quality Control) methods.

Figure 6:
Electrical Characteristics of AS7263

Symbol	Parameter	Conditions	Min	Typ	Max	Unit
General Operating Conditions						
VDD1 /VDD2	Voltage Operating Supply	UART Interface	2.97	3.3	3.6	V
VDD1 /VDD2	Voltage Operating Supply	I ² C Interface	2.7	3.3	3.6	V
T _{AMB}	Operating Temperature		-40	25	85	°C
I _{VDD}	Operating Current				5	mA
I _{STANDBY} ⁽¹⁾	Standby Current			12		μA
Internal RC Oscillator						
F _{OSC}	Internal RC Oscillator Frequency		15.7	16	16.3	MHz
t _{JITTER} ⁽²⁾	Internal Clock Jitter	@25°C			1.2	ns
Temperature Sensor						
D _{TEMP}	Absolute Accuracy of the Temperature Measurement		-8.5		8.5	°C
Indicator LED						
I _{IND}	LED Current		1	4	8	mA
I _{ACC}	Accuracy of Current		-30		30	%
V _{LED}	Voltage Range of Connected LED	V _{ds} of current sink	0.3		VDD	V
LED_DRV						
I _{LED1}	LED Current	12.5, 25, 50 or 100	12.5		100	mA
I _{ACC}	Accuracy of Current		-10		10	%
V _{LED}	Voltage Range of Connected LED	V _{ds} of current sink	0.3		VDD	V

Symbol	Parameter	Conditions	Min	Typ	Max	Unit
Digital Inputs and Outputs						
I_{IH}, I_{IL}	Logic Input Current	$V_{in}=0V$ or VDD	-1		1	μA
I_{ILRESN}	Logic Input Current (RESN pin)	$V_{in}=0V$	-1		-0.2	mA
V_{IH}	CMOS Logic High Input		0.7* VDD		VDD	V
V_{IL}	CMOS Logic Low Input		0		0.3* VDD	V
V_{OH}	CMOS Logic High Output	$I=1mA$			VDD - 0.4	V
V_{OL}	CMOS Logic Low Output	$I=1mA$			0.4	V
$t_{RISE}^{(2)}$	Current Rise Time	$C(Pad)=30pF$			5	ns
$t_{FALL}^{(2)}$	Current Fall Time	$C(Pad)=30pF$			5	ns

Note(s):

1. 15 μA over temperature
2. Guaranteed, not tested in production

Timing Characteristics

Figure 7:
AS7263 I²C Slave Timing Characteristics

Symbol	Parameter	Condition	Min	Typ	Max	Unit
I²C Interface						
f _{SCLK}	SCL Clock Frequency		0		400	kHz
t _{BUF}	Bus Free Time Between a STOP and START		1.3			μs
t _{HS:STA}	Hold Time (Repeated) START		0.6			μs
t _{LOW}	LOW Period of SCL Clock		1.3			μs
t _{HIGH}	HIGH Period of SCL Clock		0.6			μs
t _{SU:STA}	Setup Time for a Repeated START		0.6			μs
t _{HS:DAT}	Data Hold Time		0		0.9	μs
t _{SU:DAT}	Data Setup Time		100			ns
t _R	Rise Time of Both SDA and SCL		20		300	ns
t _F	Fall Time of Both SDA and SCL		20		300	ns
t _{SU:STO}	Setup Time for STOP Condition		0.6			μs
C _B	Capacitive Load for Each Bus Line	CB — total capacitance of one bus line in pF			400	pF
C _{I/O}	I/O Capacitance (SDA, SCL)				10	pF

Figure 8:
I²C Slave Timing Diagram

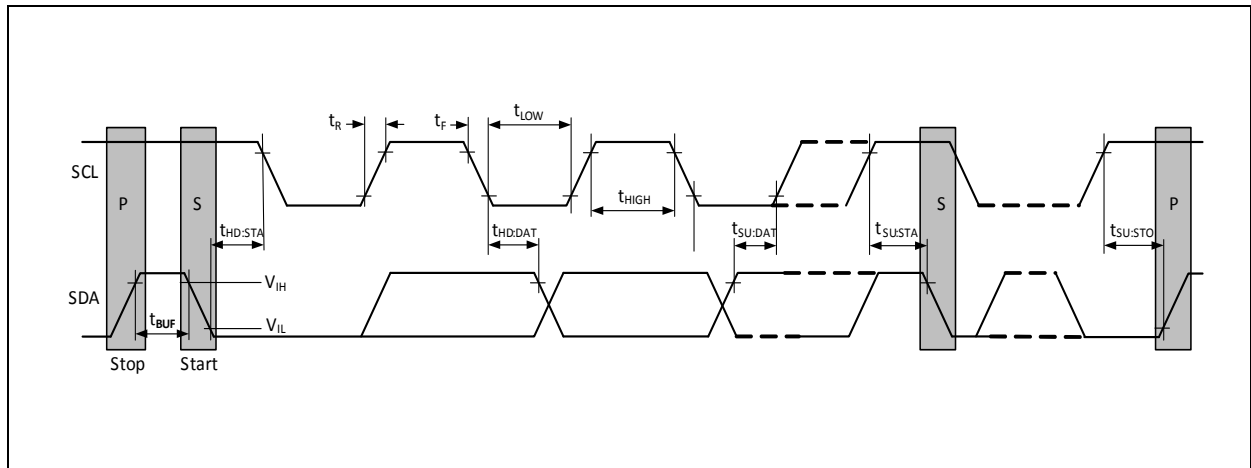


Figure 9:
AS7263 SPI Timing Characteristics

Symbol	Parameter	Conditions	Min	Typ	Max	Unit
SPI Interface						
f_{SCK}	Clock Frequency		0		16	MHz
t_{SCK_H}	Clock High Time		40			ns
t_{SCK_L}	Clock Low Time		40			ns
t_{SCK_RISE}	SCK Rise Time		5			ns
t_{SCK_FALL}	SCK Fall Time		5			ns
t_{CSN_S}	CSN Setup Time	Time between CSN high-low transition to first SCK high transition	50			ns
t_{CSN_H}	CSN Hold Time	Time between last SCK falling edge and CSN low-high transition	100			ns
t_{CSN_DIS}	CSN Disable Time		100			ns
t_{DO_S}	Data-Out Setup Time		5			ns
t_{DO_H}	Data-Out Hold Time		5			ns
t_{DI_V}	Data-In Valid		10			ns

Note(s):

1. Guaranteed, not tested in production

Figure 10:
SPI Master Write Timing Diagram

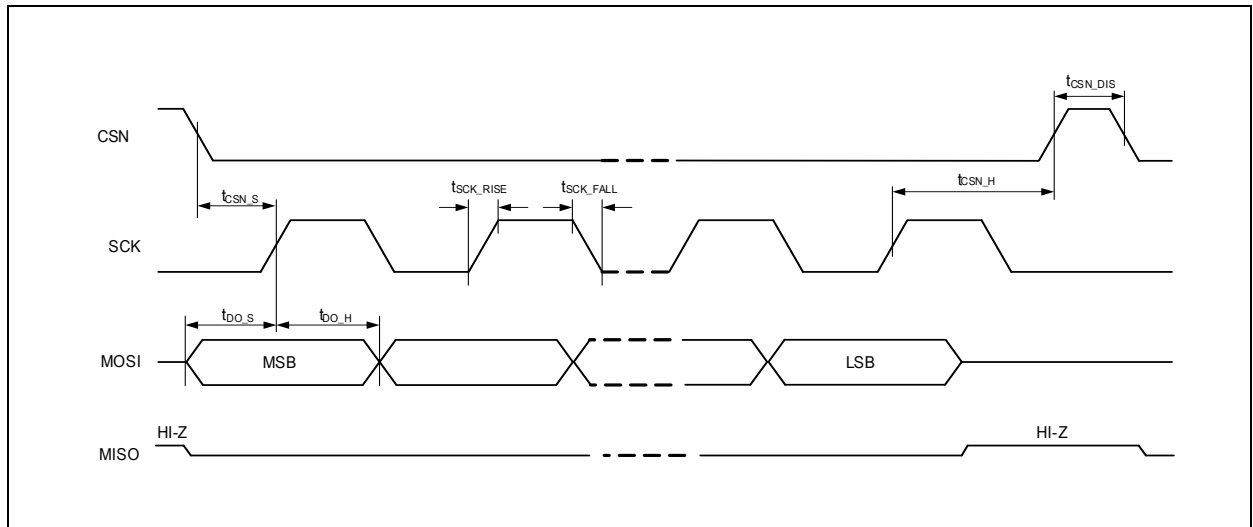
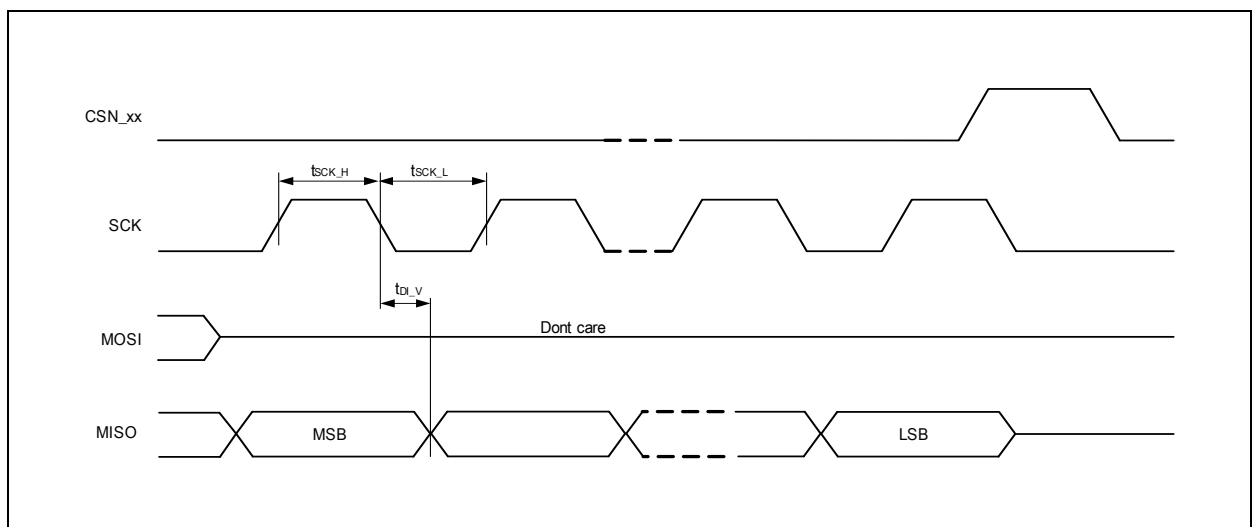


Figure 11:
SPI Master Read Timing Diagram



Optical Characteristics

Figure 12:
Optical Characteristics of AS7263 (Pass Band)⁽¹⁾

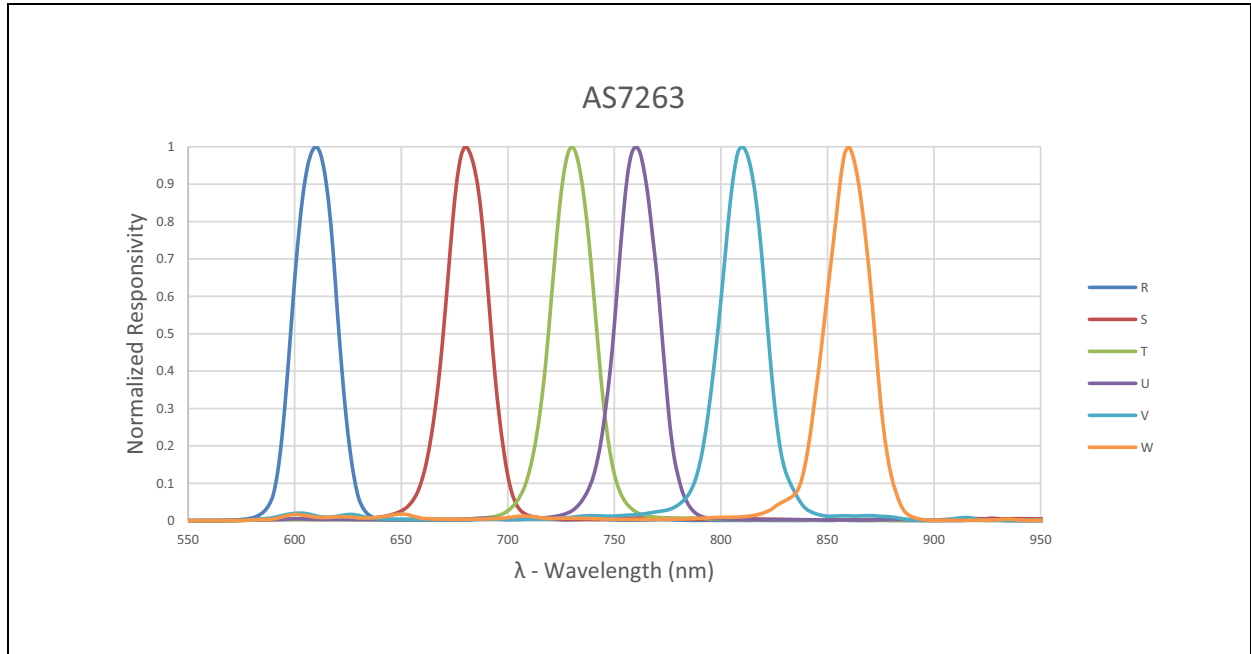
Symbol	Parameter	Test Conditions	Channel (nm)	Min	Typ	Max	Unit
R	Channel R	Incandescent ^{(2), (4)}	610		35 ^{(3),(4)}		counts/ ($\mu\text{W}/\text{cm}^2$)
S	Channel S	Incandescent ^{(2), (4)}	680		35 ^{(3),(4)}		counts/ ($\mu\text{W}/\text{cm}^2$)
T	Channel T	Incandescent ^{(2), (4)}	730		35 ^{(3),(4)}		counts/ ($\mu\text{W}/\text{cm}^2$)
U	Channel U	Incandescent ^{(2), (4)}	760		35 ^{(3),(4)}		counts/ ($\mu\text{W}/\text{cm}^2$)
V	Channel V	Incandescent ^{(2), (4)}	810		35 ^{(3),(4)}		counts/ ($\mu\text{W}/\text{cm}^2$)
W	Channel W	Incandescent ^{(2), (4)}	860		35 ^{(3),(4)}		counts/ ($\mu\text{W}/\text{cm}^2$)
FWHM	Full Width Half Max		20		20		nm
Wacc	Wavelength Accuracy				± 5		nm
dark	Dark Channel Counts	GAIN=64, $T_{\text{AMB}}=25^\circ\text{C}$				5	counts
f	Angle of Incidence	On the sensors			± 20.0		deg

Note(s):

1. Calibration & measurements are made using diffused light.
2. Each channel is tested with GAIN = 16x, Integration Time (INT_T) = 166ms and VDD = VDD1 = VDD2 = 3.3V, $T_{\text{AMB}}=25^\circ\text{C}$.
3. The accuracy of the channel counts/ $\mu\text{W}/\text{cm}^2$ is $\pm 12\%$.
4. The light source is an incandescent light with an irradiance of $\sim 1500\mu\text{W}/\text{cm}^2$ (300-1000nm). The energy at each channel (R, S, T, U, V, W) is calculated with a $\pm 33\text{nm}$ bandwidth around the center wavelengths (610, 680, 730, 760, 810, 860nm).

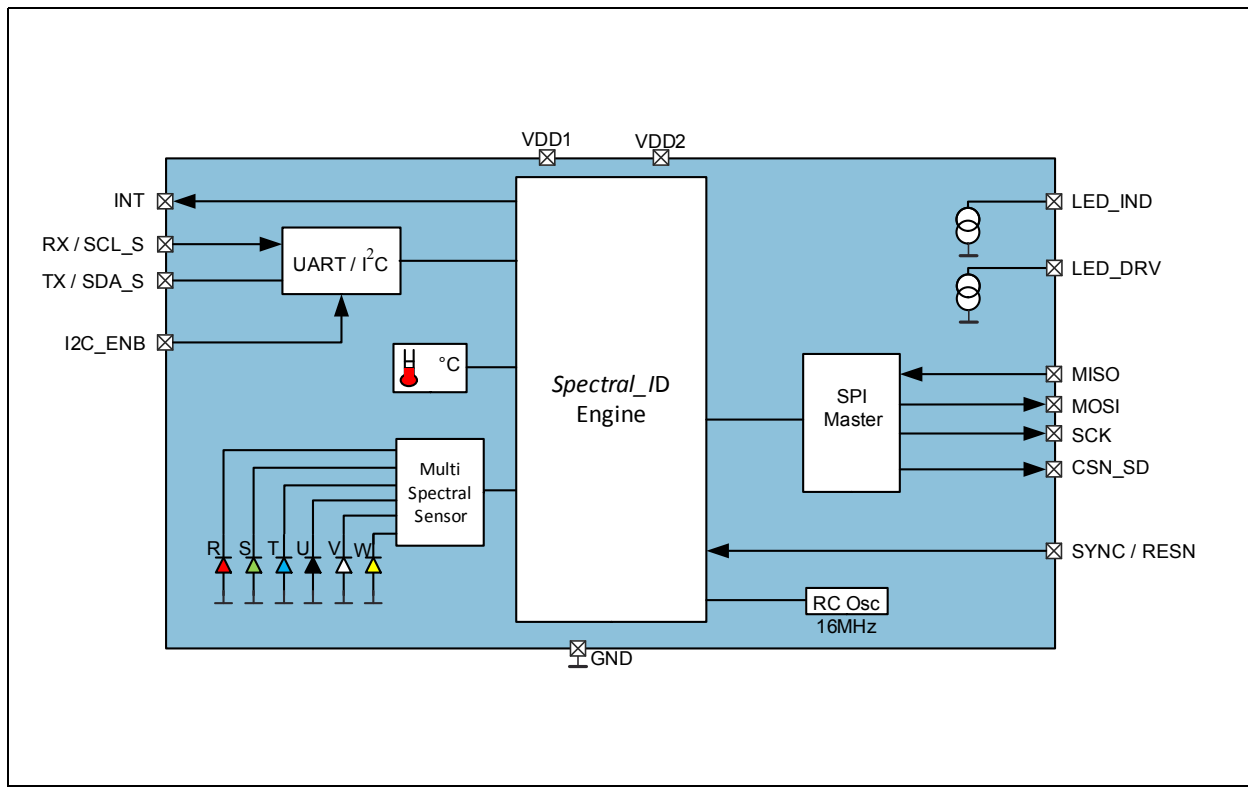
Typical Operating Characteristics

Figure 13:
Spectral Responsivity



Detailed Description

Figure 14:
Internal Block Diagram



6-Channel NIR *Spectral_ID* Detector

The AS7263 6-channel *Spectral_ID* is a next-generation digital spectral sensor device. Each channel has a Gaussian filter characteristic with a full width half maximum (FWHM) bandwidth of 20nm. The channels are spaced roughly at 50nm intervals in the NIR spectrum: R, S, T, U, V, W. The sensor contains analog-to-digital converters (16-bit resolution ADC), which integrate the current from each channel's photodiode. Upon completion of the conversion cycle, the integrated result is transferred to the corresponding data registers. The transfers are double-buffered to ensure that the integrity of the data is maintained.

Interference filters enable high temperature stability and eliminate lifetime drift. Filter accuracy will be affected by the angle of incidence, and require 0° angle of incidence $\pm 20.0^\circ$ for specified accuracy. Angles of light beyond this will shift the spectral response of the filters. The LGA package aperture assists in the control of the light input, helping to maintain the proper angle of incidence at the sensors.

Data Conversion Description

AS7263 spectral conversion is implemented via two photodiode banks per device. Bank 1 consists of data from the S, T, U, V photodiodes. Bank 2 consists of data from the R, T, U, W photodiodes. Spectral conversion requires the integration time (IT in ms) set to complete. If both photodiode banks are required to complete the conversion, the 2nd bank requires an additional IT ms. Minimum IT for a single bank conversion is 2.8 ms. If data is required from all 6 photodiodes then the device must perform 2 full conversions (2 x Integration Time).

The spectral conversion process is controlled with BANK Mode settings as follows:

BANK Mode 0: Data will be available in registers S, T, U & V (R and W registers will be zero)

BANK Mode 1: Data will be available in registers R, T, U & W (V and W registers will be zero)

BANK Mode 2: Data will be available in registers R, S, T, U, V & W

When the bank setting is Mode 0, Mode 1, or Mode 2, the spectral data conversion process operates continuously, with new data available after each IT ms period. In the continuous modes, care should be taken to assure prompt interrupt servicing so that integration values from both banks are all derived from the same spectral conversion cycle.

BANK Mode 3: Data will be available in registers R, S, T, U, V & W in One-Shot mode

When the bank setting is Mode 3, the device operates in One-Shot mode. Spectral conversion occurs only when bit 0 of the control register (1SHOT) is set to 1. The 1SHOT bit in the control register is subsequently cleared by hardware at the same time the DATA_RDY bit is set to 1 indicating the availability of spectral conversion result data. The One-Shot mode is intended for use when it is critical to ensure that spectral conversion results are obtained contemporaneously.

Figure 15:
Photo Diode Array

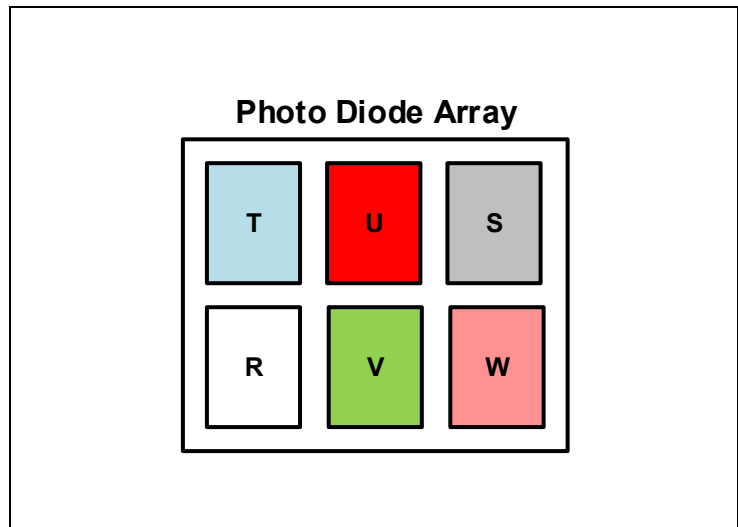
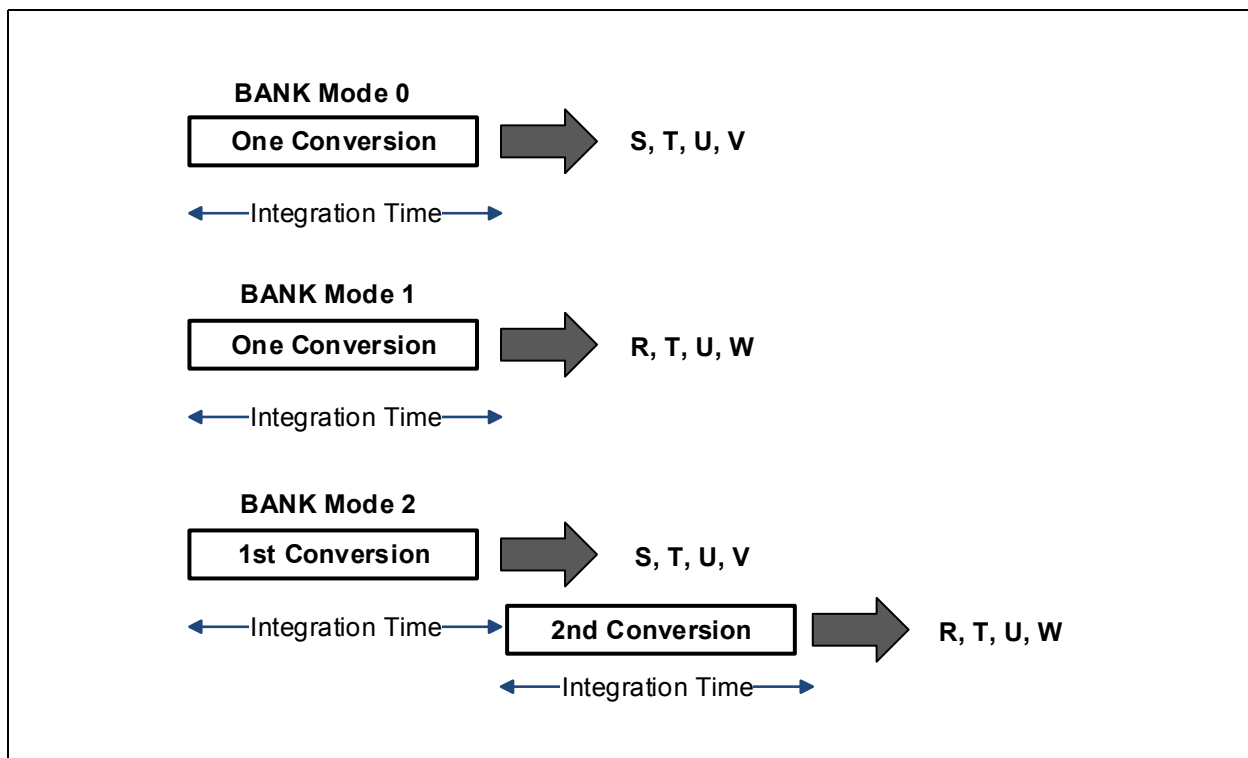


Figure 16:
Bank Mode and Data Conversion



RC Oscillator

The timing generation circuit consists of an on-chip 16MHz, temperature compensated oscillator, which provides the master clock for the AS7263.

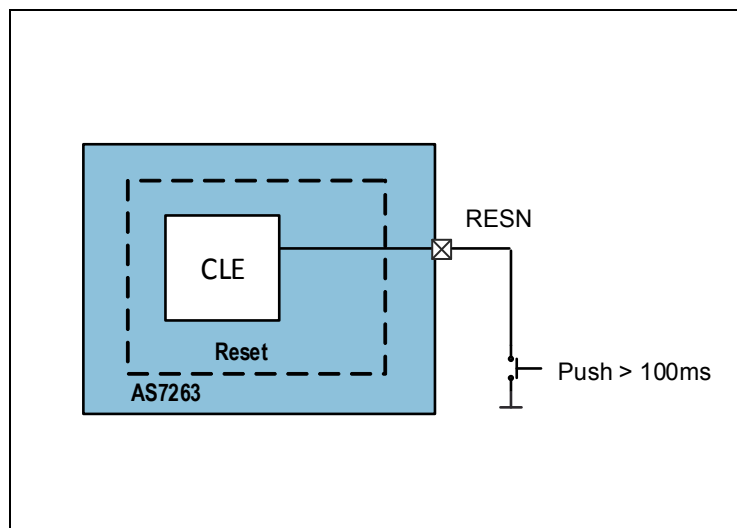
Temperature Sensor

The Temperature Sensor is constantly measuring the on-chip temperature and enables temperature compensation procedures.

Reset

Pulling down the RESN pin for longer than 100ms resets the AS7263.

Figure 17:
Reset Circuit



Indicator LED

The LED, connected to pin LED_IND, can be used to indicate programming progress of the device.

While programming the AS7263 via the external SD card the indicator LED starts flashing (500ms pulses). When programming is completed the indicator LED is switched off. The LED (LED0) can be turned ON/OFF via AT commands or via I²C register control. The LED sink current is programmable from 1mA, 2mA, 4mA and 8mA.

Electronic Shutter with LED_DRV Driver Control

There are two LED driver outputs that can be used to control up to 2 LEDs. This will allow different wavelength light sources to be used in the same system. The LED output sink currents are programmable and can drive external LED sources: LED_IND from 1mA, 2mA, 4mA and 8mA and LED_DRV from 12.5mA, 25mA, 50mA and 100mA. The sources can be turned off and on via I²C registers control or AT commands and provides the device with an electronic shutter.

Interrupt Operation

If BANK is set to Mode 0 or Mode 1 then the data is ready after the 1st integration time. If BANK is set to Mode 2 or Mode 3 then the data is ready after two integration times. If the interrupt is enabled (INT = 1) then when the data is ready, the INT line is pulled low and DATA_RDY is set to 1. The INT line is released (returns high) when the control register is read. DATA_RDY is cleared to 0 when any of the sensor registers R, S, T, U, V, W are read. Since each sensor value is 2 bytes, after the 1st byte is read the 2nd byte is shadow-protected in case an integration cycle completes just after the 1st byte is read.

In continuous spectral conversion mode (BANK setting of Mode 0, Mode 1, or Mode 2), the sensors continue to gather information at the rate of the integration time, hence if the sensor registers are not read when the interrupt line goes low, it will stay low and the next cycle's sensor data will be available in the registers at the end of the next integration cycle. When the control register BANK bits are written with a value of Mode 3, One-Shot Spectral Conversion mode is entered. When a single set of contemporaneous sensor readings is desired, writing BANK Mode 3 to the control register immediately triggers exactly two spectral data conversion cycles. At the end of these two conversion cycles, the DATA_RDY bit is set as for the other BANK modes. To perform a new One-Shot sequence, the control register BANK bits should be written with a value of Mode 3 again. This process may continue until the user writes a different value into the BANK bits.

I²C Slave Interface

If selected by the I2C_ENB pin setting, interface and control can be accomplished through an I²C compatible slave interface to a set of registers that provide access to device control functions and output data. These registers on the AS7263 are, in reality, implemented as *virtual* registers in software. The actual I²C slave hardware registers number only three and are described in the table below. The steps necessary to access the virtual registers defined in the following are explained in pseudocode for external I²C master writes and reads below.

I²C Feature List

- Fast mode (400kHz) and standard mode (100kHz) support.
- 7+1-bit addressing mode.
- Write format: Byte.
- Read format: Byte.
- SDA input delay and SCL spike filtering by integrated RC-components.

Figure 18:
I²C Slave Device Address and Physical Registers

Entity	Description	Note
Device Slave Address	8-bit Slave Address	Byte = 1001 001x x= 1 for Master Read (byte = 93 hex) x= 0 for Master Write (byte = 92 hex)
STATUS Register	I ² C slave interface STATUS register. Read-only.	Register Address = 0x00 Bit 1: TX_VALID 0 -> New data may be written to WRITE register 1 -> WRITE register occupied. Do NOT write. Bit 0: RX_VALID 0 -> No data is ready to be read in READ register. 1 -> Data byte available in READ register.
WRITE Register	I ² C slave interface WRITE register. Write-only.	Register Address = 0x01 8-Bits of data written by the I ² C Master intended for receipt by the I ² C slave. Used for both <i>virtual</i> register addresses and write data.
READ Register	I ² C slave interface READ register. Read-only.	Register Address = 0x02 8-Bits of data to be read by the I ² C Master.

I²C Virtual Register Write Access

Figure 19 shows the pseudocode necessary to write virtual registers on the AS7263. Note that, because the actual registers of interest are realized as virtual registers, a means of indicating whether there is a pending read or write operation of a given virtual register is needed. To convey this information, the most significant bit of the virtual register address is used as a marker. If it is 1, then a write is pending, otherwise the slave is expecting a virtual read operation. The pseudocode illustrates the proper technique for polling of the I²C slave status register to ensure the slave is ready for each transaction.

Figure 19:
I²C Virtual Register Byte Write

Pseudocode

Poll I²C slave STATUS register;
 If TX_VALID bit is 0, a write can be performed on the interface;
 Send a virtual register address and set the MSB of the register address to 1 to indicate the pending write;
 Poll I²C slave STATUS register;
 If TX_VALID bit is 0, the virtual register address for the write has been received and the data may now be written;
 Write the data.

Sample Code:

```
#define I2C_AS72XX_SLAVE_STATUS_REG0x00
#define I2C_AS72XX_SLAVE_WRITE_REG0x01
#define I2C_AS72XX_SLAVE_READ_REG0x02
#define I2C_AS72XX_SLAVE_TX_VALID0x02
#define I2C_AS72XX_SLAVE_RX_VALID0x01

void i2cm_AS72xx_write(uint8_t virtualReg, uint8_t d)
{
    volatile uint8_t status;

    while (1)
    {
        // Read slave I2C status to see if the write buffer is ready.
        status = i2cm_read(I2C_AS72XX_SLAVE_STATUS_REG);

        if ((status & I2C_AS72XX_SLAVE_TX_VALID) == 0)
            // No inbound TX pending at slave. Okay to write now.
            break;
    }

    // Send the virtual register address (setting bit 7 to indicate a pending write).
    i2cm_write(I2C_AS72XX_SLAVE_WRITE_REG, (virtualReg | 0x80));

    while (1)
    {
        // Read the slave I2C status to see if the write buffer is ready.
        status = i2cm_read(I2C_AS72XX_SLAVE_STATUS_REG);

        if ((status & I2C_AS72XX_SLAVE_TX_VALID) == 0)
            // No inbound TX pending at slave. Okay to write data now.
            break;
    }

    // Send the data to complete the operation.
    i2cm_write(I2C_AS72XX_SLAVE_WRITE_REG, d);
}
```

I²C Virtual Register Read Access

Figure 20 shows the pseudocode necessary to read virtual registers on the AS7263. Note that in this case, reading a virtual register, the register address is not modified.

Figure 20:
I²C Virtual Register Byte Read

Pseudocode

```
Poll I2C slave STATUS register;
If TX_VALID bit is 0, the virtual register address for the read may be written;
Send a virtual register address;
Poll I2C slave STATUS register;
If RX_VALID bit is 1, the read data is ready;
Read the data.
```

Sample Code:

```
uint8_t i2cm_AS72xx_read(uint8_t virtualReg)
{
    volatile uint8_t status, d ;

    while (1)
    {
        // Read slave I2C status to see if the read buffer is ready.
        status = i2cm_read(I2C_AS72XX_SLAVE_STATUS_REG) ;

        if ((status & I2C_AS72XX_SLAVE_TX_VALID) == 0)
            // No inbound TX pending at slave. Okay to write now.
            break ;
    }

    // Send the virtual register address (setting bit 7 to indicate a pending write).
    i2cm_write(I2C_AS72XX_SLAVE_WRITE_REG, virtualReg) ;

    while (1)
    {
        // Read the slave I2C status to see if our read data is available.
        status = i2cm_read(I2C_AS72XX_SLAVE_STATUS_REG) ;

        if ((status & I2C_AS72XX_SLAVE_RX_VALID) != 0)
            // Read data is ready.
            break ;
    }

    // Read the data to complete the operation.
    d = i2cm_read(I2C_AS72XX_SLAVE_READ_REG) ;
    return d ;
}
```

The details of the `i2cm_read()` and `i2cm_write()` functions in previous Figures are dependent upon the nature and implementation of the external I²C master device.

I²C Virtual Register Set

The figure below provides a summary of the AS7263 I²C register set. Figures after that provide additional details. All register data is hex or, where noted, 32-bit floating point, and all multi-byte entities are Big Endian (most significant byte is situated at the lowest register address).

Figure 21:
I²C Register Set Overview

Addr	Name	<D7>	<D6>	<D5>	<D4>	<D3>	<D2>	<D1>	<D0>
Version Registers									
0x00: 0x01	HW_Version	Hardware Version							
0x02: 0x03	FW_Version	Firmware Version							
Control Registers									
0x04	Control_Setup	RST	INT	GAIN	Bank	DATA_RDY	RSVD		
0x05	INT_T	Integration Time							
0x06	Device_Temp	Device Temperature							
0x07	LED_Control	RSVD	ICL_DRV	LED_DRV	ICL_IND	LED_IND			
Sensor Raw Data Registers									
0x08	R_High	Channel R High Data Byte							
0x09	R_Low	Channel R Low Data Byte							
0x0A	S_High	Channel S High Data Byte							
0x0B	S_Low	Channel S Low Data Byte							
0x0C	T_High	Channel T High Data Byte							
0x0D	T_Low	Channel T Low Data Byte							
0x0E	U_High	Channel U High Data Byte							
0x0F	U_Low	Channel U Low Data Byte							
0x10	V_High	Channel V High Data Byte							
0x11	V_Low	Channel V Low Data Byte							
0x12	W_High	Channel W High Data Byte							
0x13	W_Low	Channel W Low Data Byte							

Addr	Name	<D7>	<D6>	<D5>	<D4>	<D3>	<D2>	<D1>	<D0>
Sensor Calibrated Data Registers									
0x14: 0x17	R_Cal	Channel R Calibrated Data (float)							
0x18: 0x1B	S_Cal	Channel S Calibrated Data (float)							
0x1C: 0x1F	T_Cal	Channel T Calibrated Data (float)							
0x20: 0x23	U_Cal	Channel U Calibrated Data (float)							
0x24: 0x27	V_Cal	Channel V Calibrated Data (float)							
0x28: 0x2B	W_Cal	Channel W Calibrated Data (float)							

Detailed Register Description

Figure 22:
HW Version Registers

Addr: 0x00		HW_Version		
Bit	Bit Name	Default	Access	Bit Description
7:0	Device Type	0100000	R	Device type number
Addr: 0x01		HW_Version		
Bit	Bit Name	Default	Access	Bit Description
7:0	HW Version	00111111	R	Hardware version

Figure 23:
FW Version Registers

Addr: 0x02		FW_Version		
Bit	Bit Name	Default	Access	Bit Description
7:6	Minor Version		R	Minor Version [1:0]
5:0	Sub Version		R	Sub Version
Addr: 0x03		FW_Version		
Bit	Bit Name	Default	Access	Bit Description
7:4	Major Version		R	Major Version
3:0	Minor Version		R	Minor Version [5:2]

Figure 24:
Control Setup Register

Addr: 0x04/0x84		Control_Setup		
Bit	Bit Name	Default	Access	Bit Description
7	RST	0	R/W	Soft Reset, Set to 1 for soft reset, goes to 0 automatically after the reset
6	INT	0	R/W	Enable interrupt pin output (INT), 1: Enable, 0: Disable
5:4	GAIN	0	R/W	Sensor Channel Gain Setting (all channels) 'b00=1x; 'b01=3.7x; 'b10=16x; 'b11=64x
3:2	BANK	10	R/W	Data Conversion Type (continuous) 'b00=Mode 0; 'b01=Mode 1; 'b10=Mode 2; 'b11=Mode 3 One-Shot
1	DATA_RDY	0	R/W	1: Data Ready to Read, sets INT active if interrupt is enabled. Can be polled if not using INT.
0	RSVD	0	R	Reserved; Unused

Figure 25:
Integration Time Register

Addr: 0x05/0x85		INT_T		
Bit	Bit Name	Default	Access	Bit Description
7:0	INT_T	0xFF	R/W	Integration time = <value> * 2.8ms

Figure 26:
Device Temperature Register

Addr: 0x06		Device_Temp		
Bit	Bit Name	Default	Access	Bit Description
7:0	Device_Temp		R	Device temperature data byte (°C)

Figure 27:
LED Control Register

Addr: 0x07/0x87		LED Control		
Bit	Bit Name	Default	Access	Bit Description
7:6	RSVD	0	R	Reserved
5:4	ICL_DRV	00	R/W	LED_DRV current limit 'b00=12.5mA; 'b01=25mA; 'b10=50mA; 'b11=100mA
3	LED_DRV	0	R/W	Enable LED_DRV 1: Enabled; 0: Disabled
2:1	ICL_IND	00	R/W	LED_IND current limit 'b00=1mA; 'b01=2mA; 'b10=4mA; 'b11=8mA
0	LED_IND	0	R/W	Enable LED_IND 1: Enabled; 0: Disabled

Figure 28:
Sensor Raw Data Registers

Addr: 0x08		R_High		
Bit	Bit Name	Default	Access	Bit Description
7:0	R_High		R	Channel R High Data Byte
Addr: 0x09		R_Low		
Bit	Bit Name	Default	Access	Bit Description
7:0	R_Low		R	Channel R Low Data Byte
Addr: 0x0A		S_High		
Bit	Bit Name	Default	Access	Bit Description
7:0	S_High		R	Channel S High Data Byte
Addr: 0x0B		S_Low		
Bit	Bit Name	Default	Access	Bit Description
7:0	S_Low		R	Channel S Low Data Byte
Addr: 0x0C		T_High		
Bit	Bit Name	Default	Access	Bit Description
7:0	T_High		R	Channel T High Data Byte
Addr: 0x0D		T_Low		
Bit	Bit Name	Default	Access	Bit Description
7:0	T_Low		R	Channel T Low Data Byte
Addr: 0x0E		U_High		
Bit	Bit Name	Default	Access	Bit Description
7:0	U_High		R	Channel U High Data Byte
Addr: 0x0F		U_Low		
Bit	Bit Name	Default	Access	Bit Description
7:0	U_Low		R	Channel U Low Data Byte

Addr: 0x10		V_High		
Bit	Bit Name	Default	Access	Bit Description
7:0	V_High		R	Channel V High Data Byte
Addr: 0x11		V_Low		
Bit	Bit Name	Default	Access	Bit Description
7:0	V_Low		R	Channel V Low Data Byte
Addr: 0x12		W_High		
Bit	Bit Name	Default	Access	Bit Description
7:0	W_High		R	Channel W High Data Byte
Addr: 0x13		W_Low		
Bit	Bit Name	Default	Access	Bit Description
7:0	W_Low		R	Channel W Low Data Byte

Figure 29:
Sensor Calibrated Data Registers

Addr: 0x14:0x17		R_Cal		
Bit	Bit Name	Default	Access	Bit Description
31:0	R_Cal		R	Channel R Calibrated Data (float)
Addr: 0x18:0x1B		S_Cal		
Bit	Bit Name	Default	Access	Bit Description
31:0	S_Cal		R	Channel S Calibrated Data (float)
Addr: 0x1C:0x1F		T_Cal		
Bit	Bit Name	Default	Access	Bit Description
31:0	T_Cal		R	Channel T Calibrated Data (float)
Addr: 0x20:0x23		U_Cal		
Bit	Bit Name	Default	Access	Bit Description
31:0	U_Cal		R	Channel U Calibrated Data (float)

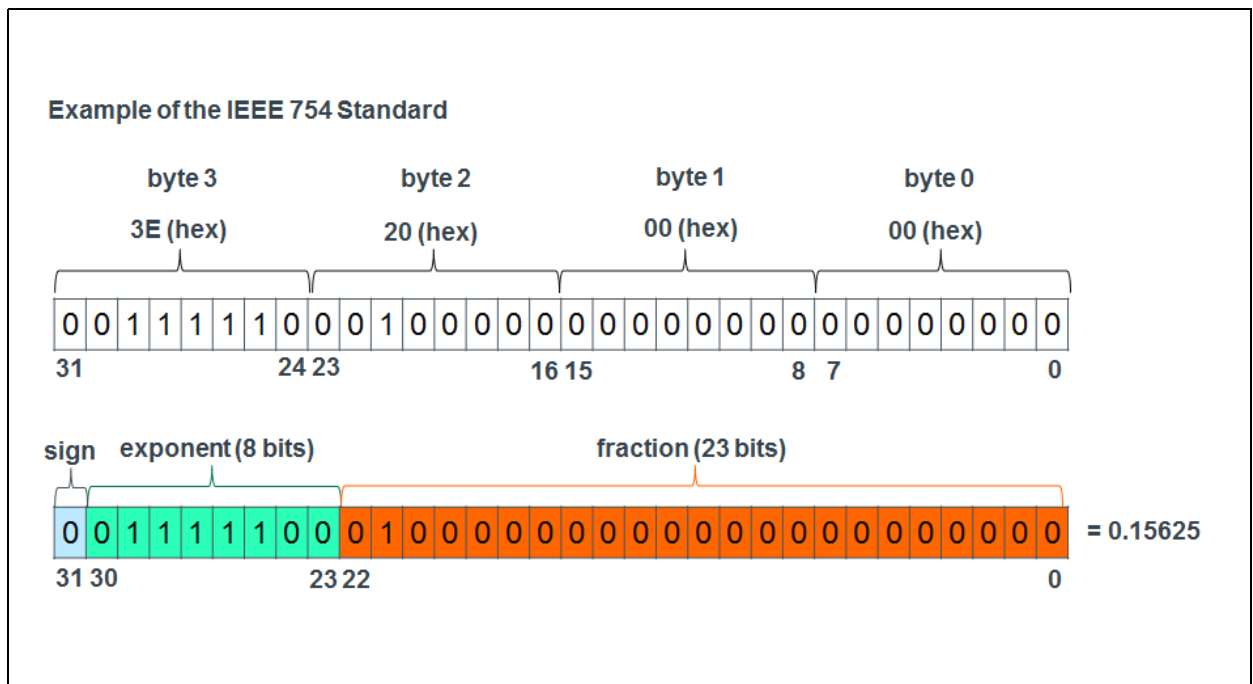
Addr: 0x24:0x27		V_Cal		
Bit	Bit Name	Default	Access	Bit Description
31:0	V_Cal		R	Channel V Calibrated Data (float)

Addr: 0x28:0x2B		W_Cal		
Bit	Bit Name	Default	Access	Bit Description
31:0	W_Cal		R	Channel W Calibrated Data (float)

4-Byte Floating-Point (FP) Registers

Several 4-byte registers (hex) are shown in the tables. Here is an example of how the registers are used to represent floating point data (based on the IEEE 754 standard):

Figure 30:
Example of the IEEE 754 Standard



The floating point (FP) value assumed by 32 bit **binary32 data** with a biased exponent **e** (the 8 bit unsigned integer) and a **23 bit fraction** is (for the above example).

$$FPvalue = (-1)^{sign} \left(1 + \sum_{i=1}^{23} (b_{23-i})(2^{-i}) \right) \times 2^{(e-127)}$$

$$FPvalue = (-1)^0 \left(1 + \sum_{i=1}^{23} (b_{23-i})(2^{-i}) \right) \times 2^{(124-127)}$$

$$FPvalue = (1) \times (1 + 2^{-2}) \times 2^{(-3)} = 0.15625$$

UART Interface

If selected by the I2C_ENB pin setting, the UART module implements the TX and RX signals as defined in the RS-232 / V.24 standard communication protocol.

It has on both, receive and transmit path, a 16 entry deep FIFO. It can generate interrupts as required.

UART Feature List¹

- Full Duplex Operation (Independent Serial Receive and Transmit Registers) with FIFO buffer of 8 byte for each.
- At a clock rate of 16MHz it supports communication at 115200Baud.
- Supports Serial Frames with 8 Data Bits, 1 Parity Bit and 1 Stop Bit.
- High Resolution Baud Rate Generator.

Theory of Operation

Transmission

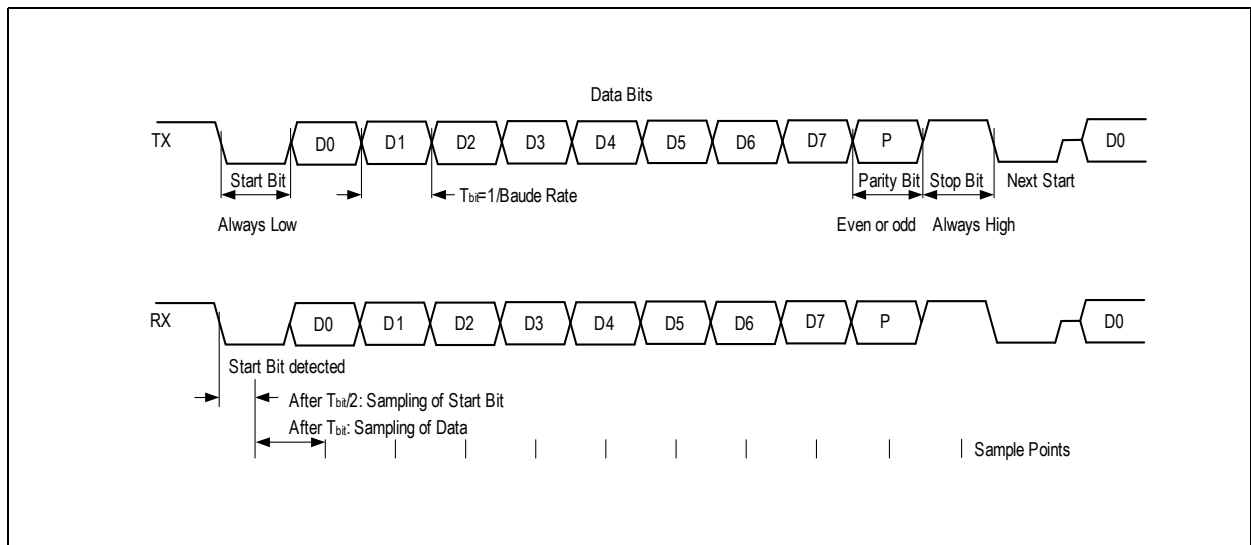
If data is available in the transmit FIFO, it will be moved into the output shift register and the data will be transmitted at the configured Baud Rate, starting with a Start Bit (logic zero) and followed by a Stop Bit (logic one).

Reception

At any time, with the receiver being idle, if a falling edge of a start bit is detected on the input, a byte will be received and stored in the receive FIFO. The following Stop Bit will be checked to be logic one.

1. With UART operation, min VDD of 2.97V is required as shown in Electrical Characteristics Figures.

Figure 31:
UART Protocol



AT Command Interface

The microprocessor interface to control the NIR *Spectral_ID* Sensor is via the UART, using the AT Commands across the UART interface.

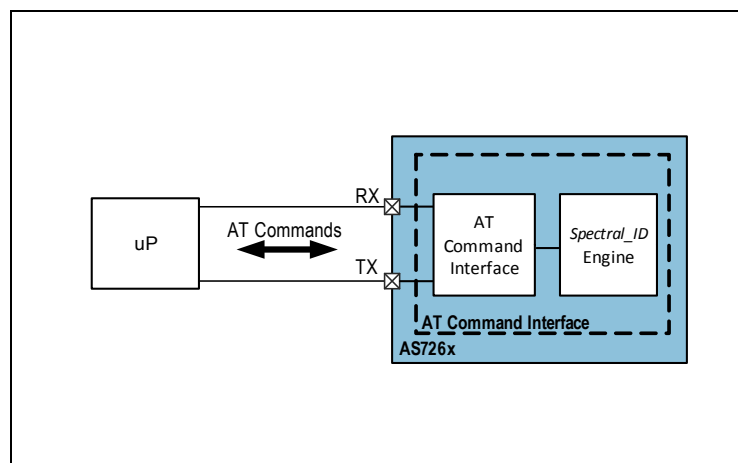
The 6-channel *Spectral_ID* sensor provides a text-based serial command interface borrowed from the “AT Command” model used in early Hayes modems.

For example:

- Read DATA value: ATDATA → <data>OK
- Set the gain of the sensor to 1x: ATGAIN =0 → OK

The “AT Command Interface Block Diagram”, shown below between the network interface and the core of the system, provides access to the *Spectral_ID* engine’s control and configuration functions.

Figure 32:
AT Command Interface Block Diagram



In the Figure below, numeric values may be specified with no leading prefix, in which case they will be interpreted as decimals, or with a leading “0x” to indicate that they are hexadecimal numbers, or with a leading “b” to indicate that they are binary numbers. The commands are loosely grouped into functional areas. Texts appearing between angle brackets (<’ and >’) are commands or response arguments. A carriage return character, a linefeed character, or both may terminate commands and responses. Note that any command that encounters an error will generate the “ERROR” response shown, for example, in the NOP command at the top of the first table, but has been omitted elsewhere in the interest of readability and clarity.

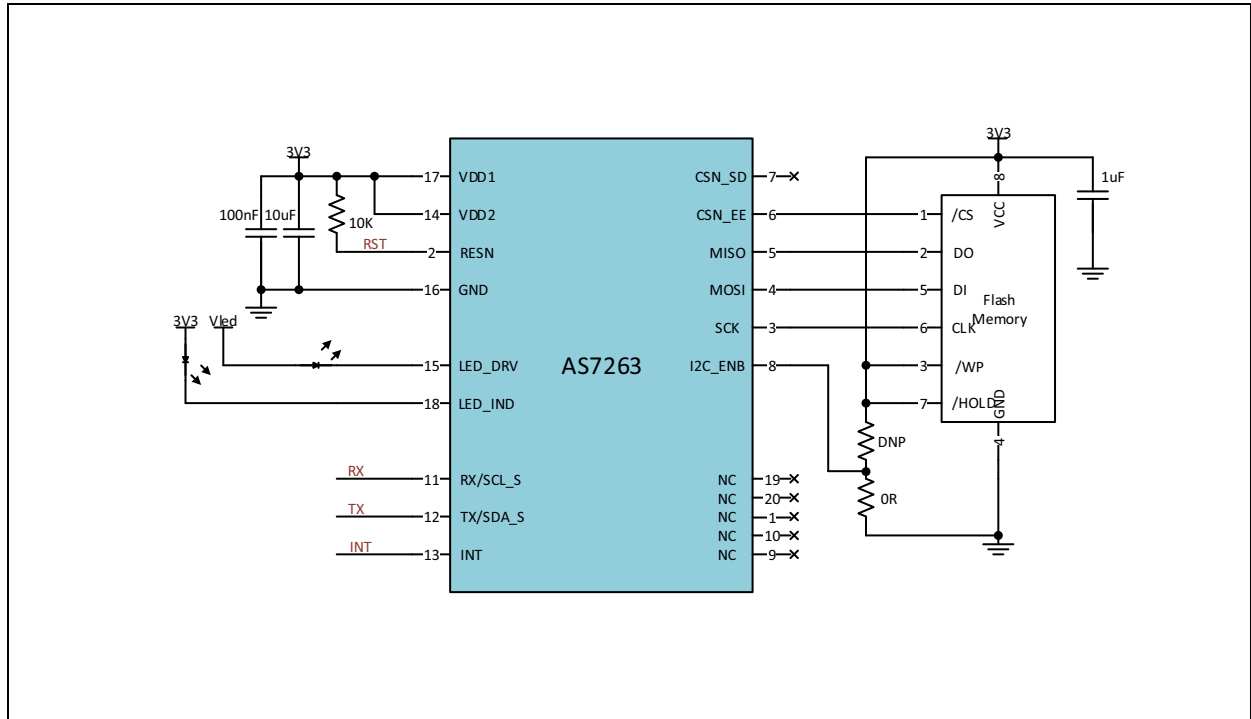
Figure 33:
AT Commands

Command	Response	Description / Parameters
Spectral Data per Channel		
ATDATA	<R_value>, <S_value>, <T_value>, <U_value>, <V_value>, <W_value> OK	Read R, S, T, U, V & W data. Returns comma-separated 16-bit integers.
ATCDATA	<Cal_R_value>, <Cal_S_value>, <Cal_T_value>, <Cal_U_value>, <Cal_V_value>, <Cal_W_value> OK	Read calibrated R, S, T, U, V & W data. Returns comma-separated 32-bit floating point values.
Sensor Configuration		
ATINTTIME=<value>	OK	Set sensor integration time. Values should be in the range [1... 255], with integration time = <value> * 2.8ms.
ATINTTIME	<value> OK	Read sensor integration time, with integration time = <value> * 2.8ms.
ATGAIN=<value>	OK	Set sensor gain: 0=1X, 1=3.7x, 2=16x, 3=64x
ATGAIN	<value>OK	Read sensor gain setting, returning 0, 1, 2, or 3 as defined immediately above.
ATTEMP	<value>OK	Read temperature of chip in degree Celsius

Command	Response	Description / Parameters
ATTCSMD=<value>	OK	Set Sensor Mode 0 = BANK Mode 0; 1 = BANK Mode 1; 2 = BANK Mode 2; 3 = BANK Mode 3 One-Shot; 4 = Sensors OFF In One-Shot mode, each ATTCSMD=3 command triggers a One-Shot reading
ATTCSMD	<value> OK	Read Sensor Mode, see above
ATBURST=<value>	OK	<value>= # of samples (ATBURST=1 means run until ATBURST=0 is received (a special case for continuous output))
LED Driver Controls		
ATLED0=<value>	OK	Sets LED_IND: 100=ON, 0=OFF
ATLED0	<100 0>OK	Reads LED_IND setting: 100=ON, 0=OFF
ATLED1=<value>	OK	Sets LED_DRV: 100=ON, 0=OFF
ATLED1	<100 0>OK	Reads LED_DRV setting: 100=ON, 0=OFF
ATLEDC=<value>	OK	Sets LED_IND and LED_DRV current LED_IND: bits 3:0; LED_DRV: 7:4 bits LED_IND: 'b00=1mA; 'b01=2mA; 'b10=4mA; 'b11=8mA LED_DRV: 'b00=12.5mA; 'b01=25mA; 'b10=50mA; 'b11=100mA
ATLEDC	<value>OK	Reads LED_IND and LED_DRV current settings as shown above
NOP, Version Access, System Reset		
AT	OK → Success ERROR → Failure	NOP
ATRST	None	Software Reset – no response
ATVERSW	<SWversion#>→OK ERROR → Failure	Returns the system software version number
ATVERHW	<HWversion#>→OK ERROR → Failure	Returns the system hardware revision and product ID, with bits 7:4 containing the part ID, and bits 3:0 yielding the chip revision value.
Firmware Update		
ATFWU=<value>	OK	<value>= 16-bit checksum. Initial the firmware update process. Bytes that follow is always 56k bytes
ATFW=<value>	OK	Download new firmware Up to 7 Bytes represented as hex chars with no leading or trailing 0x. Repeat command till all 56k bytes of firmware are downloaded
ATFWS	OK	Causes the active image to switch between the two possible current images and then resets the IC

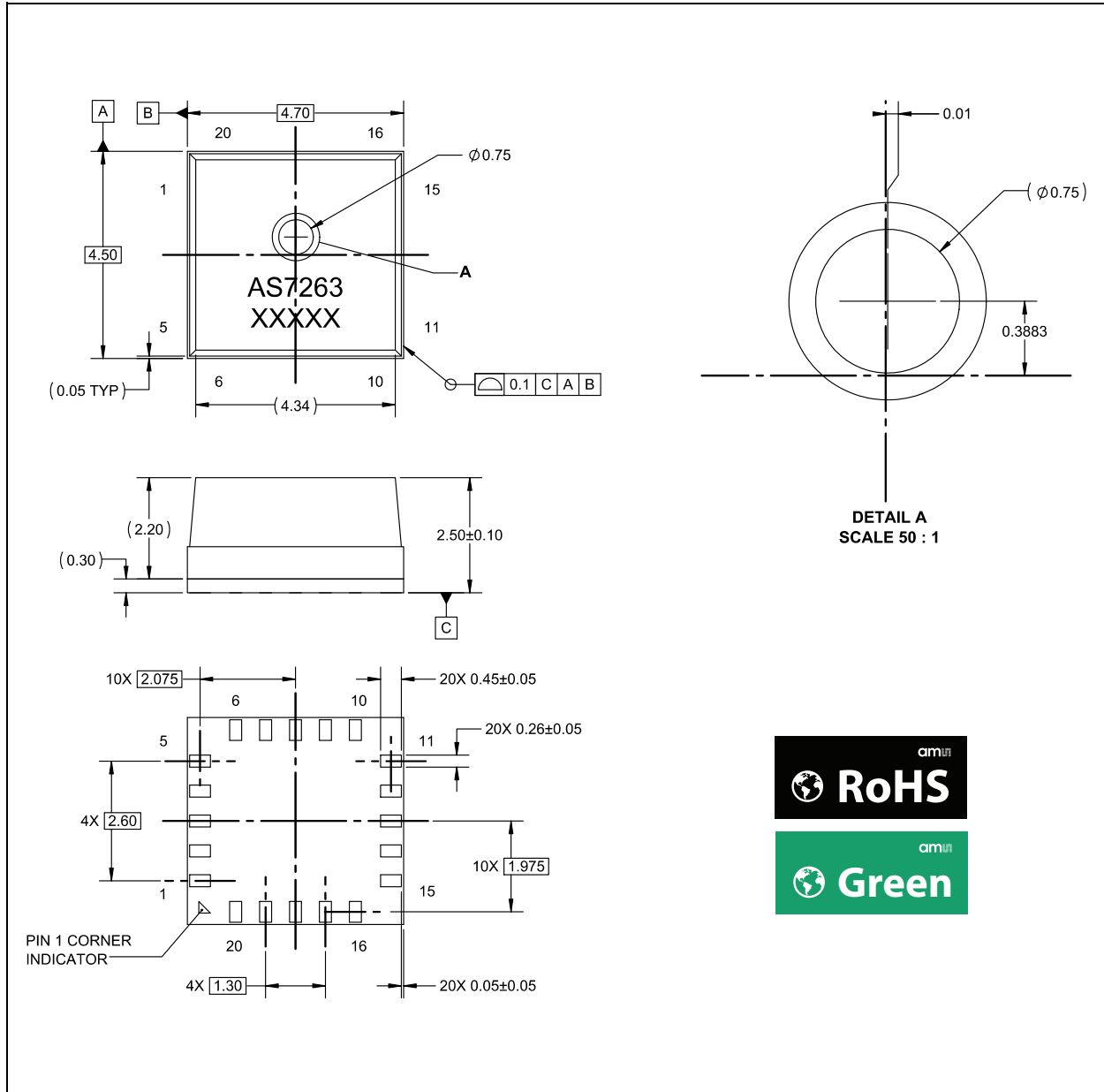
Application Information

Figure 34:
AS7263 Typical Application Circuit



Package Drawings & Markings

Figure 35:
Package Drawing LGA



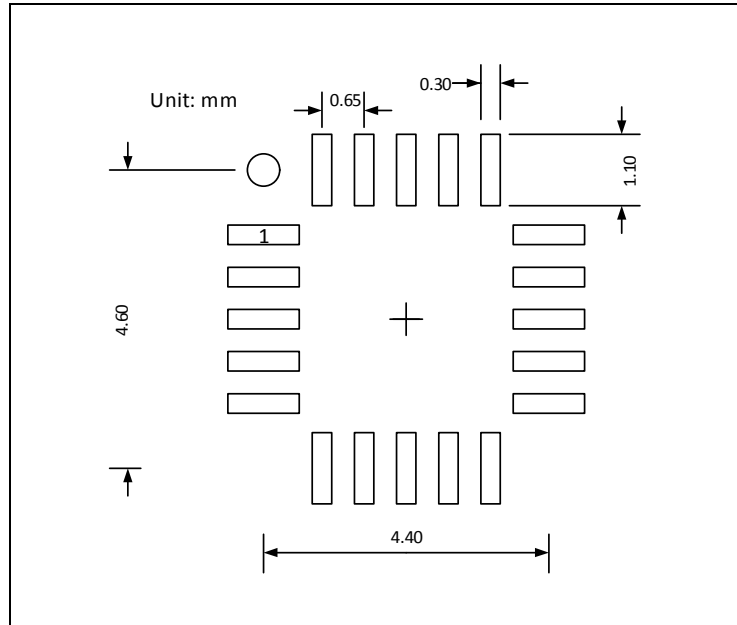
Note(s):

- 1. XXXXX = tracecode

PCB Pad Layout

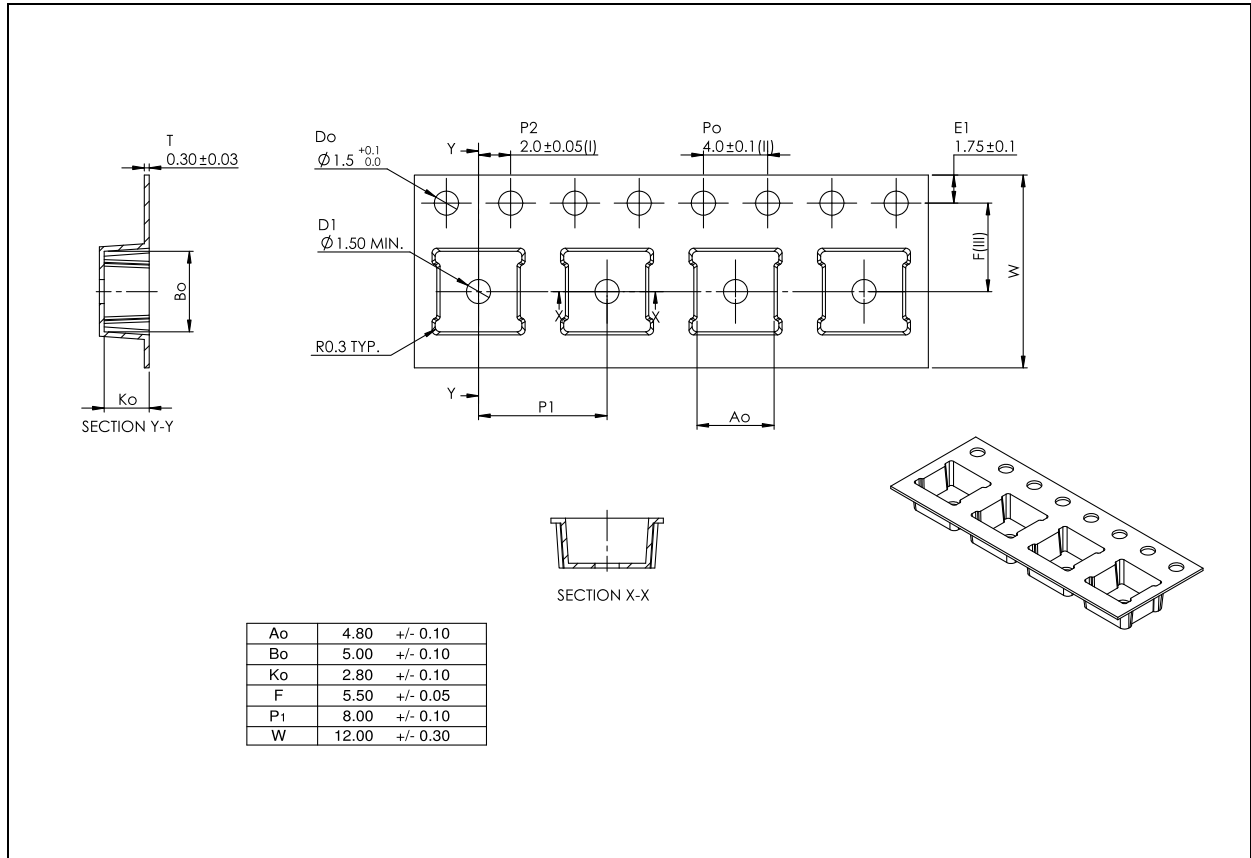
Suggested PCB pad layout guidelines for the LGA device are shown.

Figure 36:
Recommended PCB Pad Layout



Mechanical Data

Figure 37:
Tape & Reel Information



Note(s):

1. Each reel contains 2000 parts.
2. Measured from centreline of sprocket hole to centreline of pocket.
3. Cumulative tolerance of 10 sprocket holes is ± 0.20 .
4. Other material available.
5. All dimensions in millimeters unless otherwise stated.

Storage & Soldering Information

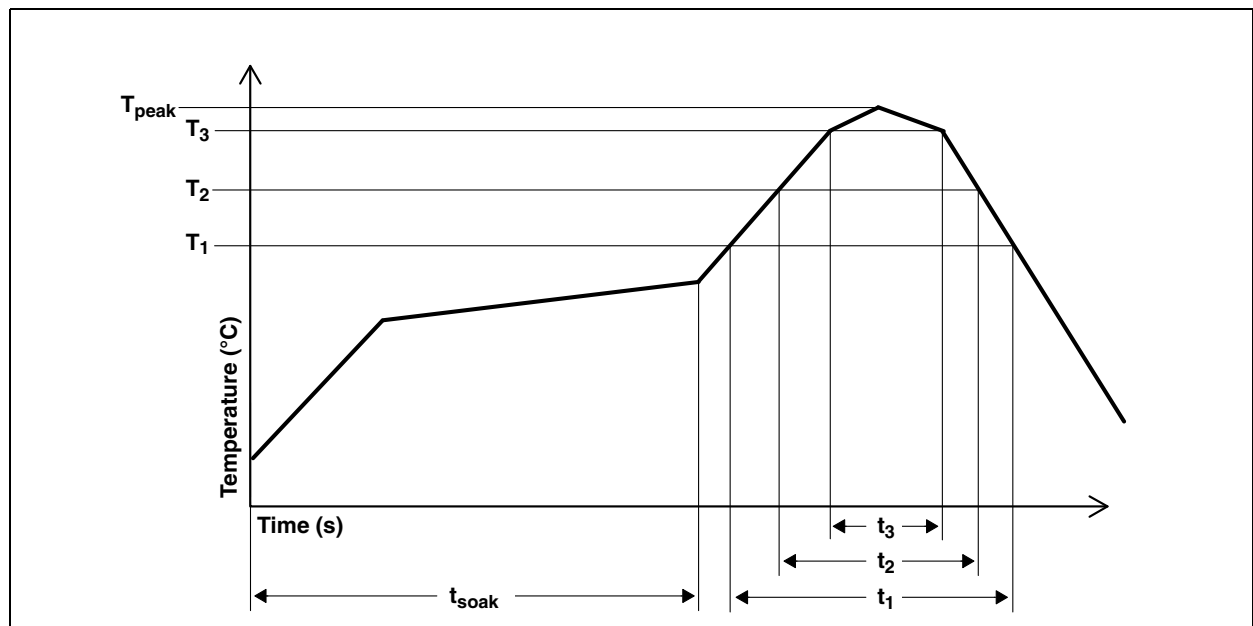
Soldering Information

The module has been tested and has demonstrated an ability to be reflow soldered to a PCB substrate. The solder reflow profile describes the expected maximum heat exposure of components during the solder reflow process of product on a PCB. Temperature is measured on top of component. The components should be limited to a maximum of three passes through this solder reflow profile.

Figure 38:
Solder Reflow Profile

Parameter	Reference	Device
Average temperature gradient in preheating		2.5°C/s
Soak time	t_{soak}	2 to 3 minutes
Time above 217°C	t_1	Max 60 s
Time above 230°C	t_2	Max 50 s
Time above $T_{peak} - 10^\circ\text{C}$	t_3	Max 10 s
Peak temperature in reflow	T_{peak}	260° C
Temperature gradient in cooling		Max -5°C/s

Figure 39:
Solder Reflow Profile Graph



Note(s):

1. Not to scale - for reference only.

Manufacturing Process Considerations

The AS7263 package is compatible with standard reflow no-clean and cleaning processes including aqueous, solvent or ultrasonic techniques. However, as an open-aperture device, precautions must be taken to avoid particulate or solvent contamination as a result of any manufacturing processes, including pick and place, reflow, cleaning, integration assembly and/or testing. Temporary covering of the aperture is allowed. To avoid degradation of accuracy or performance in the end product, care should be taken that any temporary covering and associated sealants/debris are thoroughly removed prior to any optical testing or final packaging.

Storage Information

Moisture Sensitivity

Optical characteristics of the device can be adversely affected during the soldering process by the release and vaporization of moisture that has been previously absorbed into the package. To ensure the package contains the smallest amount of absorbed moisture possible, each device is baked prior to being dry packed for shipping.

Devices are dry packed in a sealed aluminized envelope called a moisture-barrier bag with silica gel to protect them from ambient moisture during shipping, handling, and storage before use.

Shelf Life

The calculated shelf life of the device in an unopened moisture barrier bag is 12 months from the date code on the bag when stored under the following conditions:

- Shelf Life: 12 months
- Ambient Temperature: <40°C
- Relative Humidity: <90%

Rebaking of the devices will be required if the devices exceed the 12 month shelf life or the Humidity Indicator Card shows that the devices were exposed to conditions beyond the allowable moisture region.

Floor Life

The module has been assigned a moisture sensitivity level of MSL 3. As a result, the floor life of devices removed from the moisture barrier bag is 168 hours from the time the bag was opened, provided that the devices are stored under the following conditions:

- Floor Life: 168 hours
- Ambient Temperature: <30°C
- Relative Humidity: <60%

If the floor life or the temperature/humidity conditions have been exceeded, the devices must be rebaked prior to solder reflow or dry packing.

Rebaking Instructions

When the shelf life or floor life limits have been exceeded, rebake at 50°C for 12 hours.

Ordering & Contact Information

Figure 40:
Ordering Information ⁽¹⁾ ⁽²⁾

Ordering Code	Package	Marking	Description	Delivery Form	Delivery Quantity
AS7263-BLGT	20-pin LGA	AS7263	6-Channel NIR <i>Spectral_ID</i> Device with Electronic Shutter & Smart Interface	Tape & Reel	2000 pcs/reel

Note(s):

1. Required companion serial flash memory (must be **ams** verified) is ordered from the flash memory supplier (e.g. AT25SF041-SSHD-B from Adesto Technologies)
2. AS7263 flash memory software is available from **ams**.

Online product information is available at
www.ams.com/AS7263

Buy our products or get free samples online at:
www.ams.com/ICdirect

Technical Support is available at:
www.ams.com/Technical-Support

Provide feedback about this document at:
www.ams.com/Document-Feedback

For further information and requests, e-mail us at:
ams_sales@ams.com

For sales offices, distributors and representatives, please visit:
www.ams.com/contact

Headquarters

ams AG
Tobelbader Strasse 30
8141 Premstaetten
Austria, Europe

Tel: +43 (0) 3136 500 0

Website: www.ams.com

RoHS Compliant & ams Green Statement

RoHS: The term RoHS compliant means that ams AG products fully comply with current RoHS directives. Our semiconductor products do not contain any chemicals for all 6 substance categories, including the requirement that lead not exceed 0.1% by weight in homogeneous materials. Where designed to be soldered at high temperatures, RoHS compliant products are suitable for use in specified lead-free processes.

ams Green (RoHS compliant and no Sb/Br): ams Green defines that in addition to RoHS compliance, our products are free of Bromine (Br) and Antimony (Sb) based flame retardants (Br or Sb do not exceed 0.1% by weight in homogeneous material).

Important Information: The information provided in this statement represents ams AG knowledge and belief as of the date that it is provided. ams AG bases its knowledge and belief on information provided by third parties, and makes no representation or warranty as to the accuracy of such information. Efforts are underway to better integrate information from third parties. ams AG has taken and continues to take reasonable steps to provide representative and accurate information but may not have conducted destructive testing or chemical analysis on incoming materials and chemicals. ams AG and ams AG suppliers consider certain information to be proprietary, and thus CAS numbers and other limited information may not be available for release.

Copyrights & Disclaimer

Copyright ams AG, Tobelbader Strasse 30, 8141 Premstaetten, Austria-Europe. Trademarks Registered. All rights reserved. The material herein may not be reproduced, adapted, merged, translated, stored, or used without the prior written consent of the copyright owner.

Devices sold by ams AG are covered by the warranty and patent indemnification provisions appearing in its General Terms of Trade. ams AG makes no warranty, express, statutory, implied, or by description regarding the information set forth herein. ams AG reserves the right to change specifications and prices at any time and without notice. Therefore, prior to designing this product into a system, it is necessary to check with ams AG for current information. This product is intended for use in commercial applications. Applications requiring extended temperature range, unusual environmental requirements, or high reliability applications, such as military, medical life-support or life-sustaining equipment are specifically not recommended without additional processing by ams AG for each application. This product is provided by ams AG "AS IS" and any express or implied warranties, including, but not limited to the implied warranties of merchantability and fitness for a particular purpose are disclaimed.

ams AG shall not be liable to recipient or any third party for any damages, including but not limited to personal injury, property damage, loss of profits, loss of use, interruption of business or indirect, special, incidental or consequential damages, of any kind, in connection with or arising out of the furnishing, performance or use of the technical data herein. No obligation or liability to recipient or any third party shall arise or flow out of ams AG rendering of technical or other services.

Document Status

Document Status	Product Status	Definition
Product Preview	Pre-Development	Information in this datasheet is based on product ideas in the planning phase of development. All specifications are design goals without any warranty and are subject to change without notice
Preliminary Datasheet	Pre-Production	Information in this datasheet is based on products in the design, validation or qualification phase of development. The performance and parameters shown in this document are preliminary without any warranty and are subject to change without notice
Datasheet	Production	Information in this datasheet is based on products in ramp-up to full production or full production which conform to specifications in accordance with the terms of ams AG standard warranty as given in the General Terms of Trade
Datasheet (discontinued)	Discontinued	Information in this datasheet is based on products which conform to specifications in accordance with the terms of ams AG standard warranty as given in the General Terms of Trade, but these products have been superseded and should not be used for new designs

Revision Information

Changes from 0-90 (2016-Nov-04) to current revision 1-00 (2016-Nov-25)	Page
Initial production version for release	
Completely revised version	

Note(s):

1. Page and figure numbers for the previous version may differ from page and figure numbers in the current revision.
2. Correction of typographical errors is not explicitly mentioned.

Content Guide

1	General Description
1	Key Benefits & Features
2	Applications
2	Block Diagram
3	Pin Assignment
5	Absolute Maximum Ratings
6	Electrical Characteristics
8	Timing Characteristics
11	Optical Characteristics
12	Typical Operating Characteristics
13	Detailed Description
13	6-Channel NIR Spectral_ID Detector
14	Data Conversion Description
15	RC Oscillator
16	Temperature Sensor
16	Reset
16	Indicator LED
16	Electronic Shutter with LED_DRV Driver Control
17	Interrupt Operation
17	I ² C Slave Interface
17	I ² C Feature List
18	I ² C Virtual Register Write Access
20	I ² C Virtual Register Read Access
21	I ² C Virtual Register Set
22	Detailed Register Description
27	4-Byte Floating-Point (FP) Registers
28	UART Interface
28	UART Feature List
28	Theory of Operation
28	<i>Transmission</i>
28	<i>Reception</i>
29	AT Command Interface
32	Application Information
33	Package Drawings & Markings
34	PCB Pad Layout
35	Mechanical Data
36	Storage & Soldering Information
36	Soldering Information
37	Manufacturing Process Considerations
37	Storage Information
37	Moisture Sensitivity
37	Shelf Life
38	Floor Life
38	Rebaking Instructions
39	Ordering & Contact Information