

**Revision History****AS7C34096B 512K X 8 BIT HIGH SPEED CMOS SRAM**

| Revision | Details                       | Date      |
|----------|-------------------------------|-----------|
| Rev 1.0  | Initial Issue                 | Aug. 2016 |
| Rev 1.1  | Added 6mm x 8mm TFBGA Package | Sep. 2017 |

## FEATURES

- Fast access time : 10ns
- **Low power consumption:**  
 Operating current:  
   40mA(TYP.)  
 Standby current:  
   2mA(TYP.)
- Single 3.3V power supply
- All inputs and outputs TTL compatible
- Fully static operation
- Tri-state output
  
- Data retention voltage : 1.5V (MIN.)
- Package : 44-pin 400 mil TSOP-II  
   36-ball 6mm x 8mm TFBGA

## GENERAL DESCRIPTION

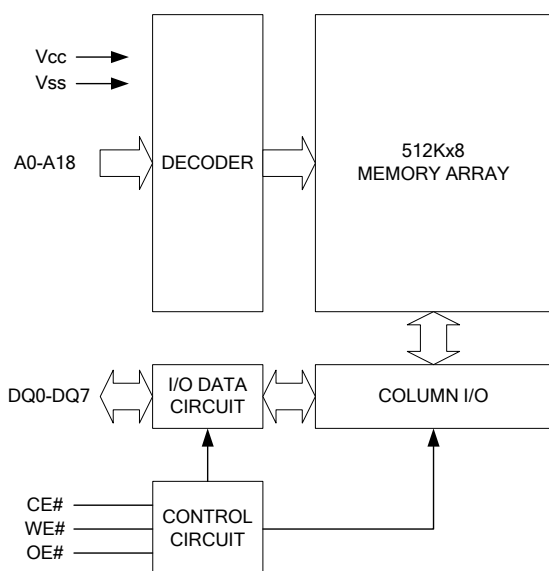
The AS7C34096B is a 4,194,304-bit high speed CMOS static random access memory organized as 524,288 words by 8 bits. It is fabricated using very high performance, high reliability CMOS technology. Its standby current is stable within the range of operating temperature.

The AS7C34096B operates from a single power supply of 3.3V and all inputs and outputs are fully TTL compatible

**Table 1. Ordering Information**

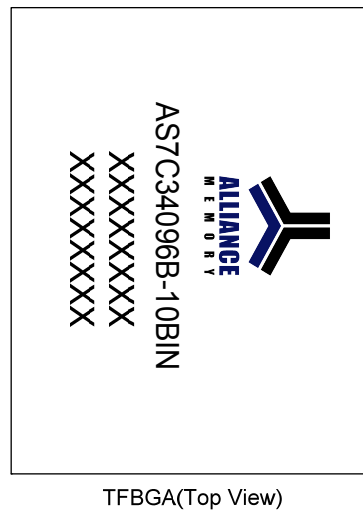
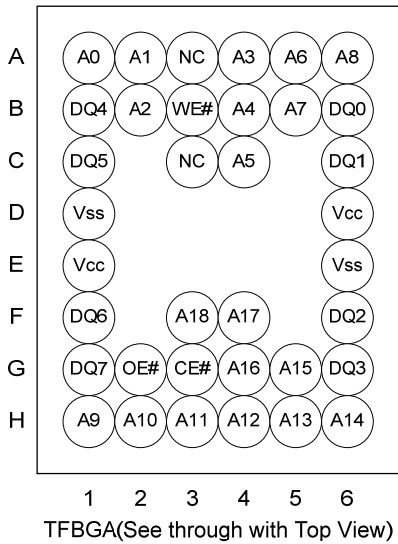
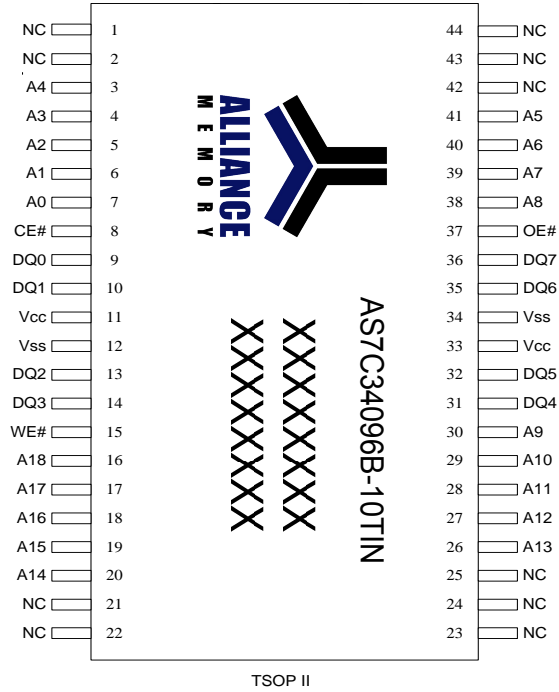
| Part Number      | Speed | Temperature               | Vcc Range  | Package      |
|------------------|-------|---------------------------|------------|--------------|
| AS7C34096B-10TIN | 10ns  | Industrial -40°C to +85°C | 2.7 ~ 3.6V | 44pin TSOPII |
| AS7C34096B-10BIN | 10ns  | Industrial -40°C to +85°C | 2.7 ~ 3.6V | 36ball FBGA  |

## FUNCTIONAL BLOCK DIAGRAM



## PIN DESCRIPTION

| SYMBOL   | DESCRIPTION         |
|----------|---------------------|
| A0 - A18 | Address Inputs      |
| DQ0 – D7 | Data Inputs/Outputs |
| CE#      | Chip Enable Inputs  |
| WE#      | Write Enable Input  |
| OE#      | Output Enable Input |
| Vcc      | Power Supply        |
| Vss      | Ground              |
| NC       | No Connection       |

**PIN CONFIGURATION**


### ABSOLUTE MAXIMUM RATINGS\*

| PARAMETER                                     | SYMBOL    | RATING               | UNIT |
|---|-----------|----------------------|------|
| Voltage on $V_{CC}$ relative to $V_{SS}$      | $V_{T1}$  | -0.5 to 4.6          | V    |
| Voltage on any other pin relative to $V_{SS}$ | $V_{T2}$  | -0.5 to $V_{CC}+0.5$ | V    |
| Operating Temperature                         | $T_A$     | -40 to 85            | °C   |
| Storage Temperature                           | $T_{STG}$ | -65 to 150           | °C   |
| Power Dissipation                             | $P_D$     | 1                    | W    |
| DC Output Current                             | $I_{OUT}$ | 50                   | mA   |

\*Stresses greater than those listed under "Absolute Maximum Ratings" may cause permanent damage to the device. This is a stress rating only and functional operation of the device or any other conditions above those indicated in the operational sections of this specification is not implied. Exposure to the absolute maximum rating conditions for extended period may affect device reliability.

### TRUTH TABLE

| MODE           | CE# | OE# | WE# | I/O OPERATION | SUPPLY CURRENT    |
|----------------|-----|-----|-----|---------------|-------------------|
| Standby        | H   | X   | X   | High-Z        | $I_{SB}, I_{SB1}$ |
| Output Disable | L   | H   | H   | High-Z        | $I_{CC}, I_{CC1}$ |
| Read           | L   | L   | H   | $D_{OUT}$     | $I_{CC}, I_{CC1}$ |
| Write          | L   | X   | L   | $D_{IN}$      | $I_{CC}, I_{CC1}$ |

Note: H =  $V_{IH}$ , L =  $V_{IL}$ , X = Don't care.

### DC ELECTRICAL CHARACTERISTICS

| PARAMETER                              | SYMBOL        | TEST CONDITION  | MIN. | TYP. <sup>4</sup> | MAX.         | UNIT    |
|--|---------------|---|------|-------------------|--------------|---------|
| Supply Voltage                         | $V_{CC}$      |   | 2.7  | 3.3               | 3.6          | V       |
| Input High Voltage                     | $V_{IH}^{*1}$ |   | 2.2  | -                 | $V_{CC}+0.3$ | V       |
| Input Low Voltage                      | $V_{IL}^{*2}$ |   | -0.3 | -                 | 0.8          | V       |
| Input Leakage Current                  | $I_{LI}$      | $V_{CC} \geq V_{IN} \geq V_{SS}$  | -1   | -                 | 1            | $\mu A$ |
| Output Leakage Current                 | $I_{LO}$      | $V_{CC} \geq V_{OUT} \geq V_{SS}$ ,<br>Output Disabled                                    | -1   | -                 | 1            | $\mu A$ |
| Output High Voltage                    | $V_{OH}$      | $I_{OH} = -4mA$   | 2.4  | -                 | -            | V       |
| Output Low Voltage                     | $V_{OL}$      | $I_{OL} = 8mA$  | -    | -                 | 0.4          | V       |
| Average Operating Power Supply Current | $I_{CC}$      | Cycle time = Min.<br>CE# = $V_{IL}$ , $I_{I/O} = 0mA$ ,<br>Others at $V_{IL}$ or $V_{IH}$ | -    | 50                | 70           | mA      |
|  | $I_{CC1}$     | CE# $\leq 0.2$ ,<br>Others at 0.2V or $V_{CC}-0.2V$<br>$I_{I/O} = 0mA; f = max$           | -    | 40                | 55           | mA      |
| Standby Power Supply Current           | $I_{SB}$      | CE# = $V_{IH}$ , Others at $V_{IL}$ or $V_{IH}$   | -    | -                 | 30           | mA      |
|  | $I_{SB1}$     | CE# $\geq V_{CC} - 0.2V$ ,<br>Others at 0.2V or $V_{CC} - 0.2V$                           | -    | 2                 | 10           | mA      |

Notes:

- $V_{IH(max)} = V_{CC} + 2.0V$  for pulse width less than 6ns.
- $V_{IL(min)} = V_{SS} - 2.0V$  for pulse width less than 6ns.
- Over/Undershoot specifications are characterized on engineering evaluation stage, not for mass production test.
- Typical values are included for reference only and are not guaranteed or tested.  
Typical values are measured at  $V_{CC} = V_{CC(TYP.)}$  and  $T_A = 25^\circ C$

**CAPACITANCE** ( $T_A = 25^\circ\text{C}$ ,  $f = 1.0\text{MHz}$ )

| PARAMETER                | SYMBOL    | MIN. | MAX | UNIT |
|--------------------------|-----------|------|-----|------|
| Input Capacitance        | $C_{IN}$  | -    | 8   | pF   |
| Input/Output Capacitance | $C_{I/O}$ | -    | 10  | pF   |

Note : These parameters are guaranteed by device characterization, but not production tested.

**AC TEST CONDITIONS**

|  |  |
|--|--|
| Speed                                    | 10ns   |
| Input Pulse Levels                       | 0.2V to $V_{CC} - 0.2\text{V}$   |
| Input Rise and Fall Times                | 3ns  |
| Input and Output Timing Reference Levels | 1.5V   |
| Output Load                              | $C_L = 30\text{pF} + 1\text{TTL}$ , $I_{OH}/I_{OL} = -4\text{mA}/8\text{mA}$ |

**AC ELECTRICAL CHARACTERISTICS**
**(1) READ CYCLE**

| PARAMETER                          | SYM.        | AS7C34096B-10 |      | UNIT |
|------------------------------------|-------------|---------------|------|------|
|                                    |             | MIN.          | MAX. |      |
| Read Cycle Time                    | $t_{RC}$    | 10            | -    | ns   |
| Address Access Time                | $t_{AA}$    | -             | 10   | ns   |
| Chip Enable Access Time            | $t_{ACE}$   | -             | 10   | ns   |
| Output Enable Access Time          | $t_{OE}$    | -             | 4.5  | ns   |
| Chip Enable to Output in Low-Z     | $t_{CLZ}^*$ | 2             | -    | ns   |
| Output Enable to Output in Low-Z   | $t_{OLZ}^*$ | 0             | -    | ns   |
| Chip Disable to Output in High-Z   | $t_{CHZ}^*$ | -             | 4    | ns   |
| Output Disable to Output in High-Z | $t_{OHZ}^*$ | -             | 4    | ns   |
| Output Hold from Address Change    | $t_{OH}$    | 2             | -    | ns   |

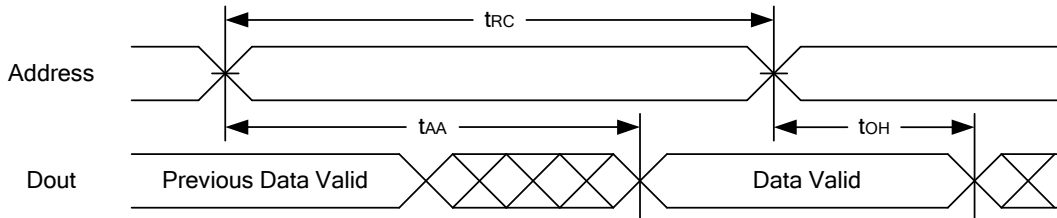
**(2) WRITE CYCLE**

| PARAMETER                        | SYM.        | AS7C34096B-10 |      | UNIT |
|----------------------------------|-------------|---------------|------|------|
|                                  |             | MIN.          | MAX. |      |
| Write Cycle Time                 | $t_{WC}$    | 10            | -    | ns   |
| Address Valid to End of Write    | $t_{AW}$    | 8             | -    | ns   |
| Chip Enable to End of Write      | $t_{CW}$    | 8             | -    | ns   |
| Address Set-up Time              | $t_{AS}$    | 0             | -    | ns   |
| Write Pulse Width                | $t_{WP}$    | 8             | -    | ns   |
| Write Recovery Time              | $t_{WR}$    | 0             | -    | ns   |
| Data to Write Time Overlap       | $t_{DW}$    | 6             | -    | ns   |
| Data Hold from End of Write Time | $t_{DH}$    | 0             | -    | ns   |
| Output Active from End of Write  | $t_{OW}^*$  | 2             | -    | ns   |
| Write to Output in High-Z        | $t_{WHZ}^*$ | -             | 4    | ns   |

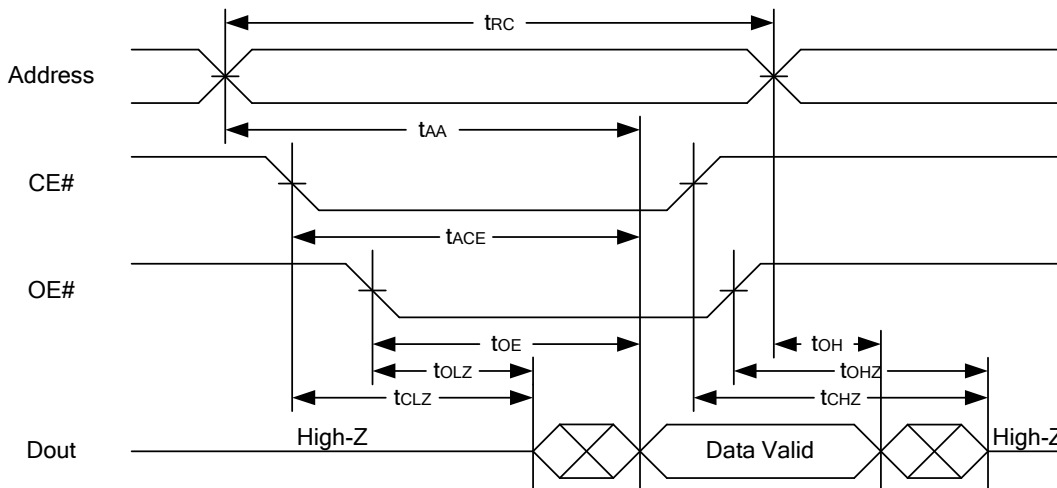
\*These parameters are guaranteed by device characterization, but not production tested.

## TIMING WAVEFORMS

### READ CYCLE 1 (Address Controlled) (1,2)



### READ CYCLE 2 (CE# and OE# Controlled) (1,3,4,5)



#### Notes :

1. WE# is high for read cycle.
2. Device is continuously selected OE# = low, CE# = low.
3. Address must be valid prior to or coincident with CE# = low.; otherwise  $t_{AA}$  is the limiting parameter.
4.  $t_{CLZ}$ ,  $t_{OLZ}$ ,  $t_{CHZ}$  and  $t_{OHZ}$  are specified with  $C_L = 5pF$ . Transition is measured  $\pm 500mV$  from steady state.
5. At any given temperature and voltage condition,  $t_{CHZ}$  is less than  $t_{CLZ}$ ,  $t_{OHZ}$  is less than  $t_{OLZ}$ .

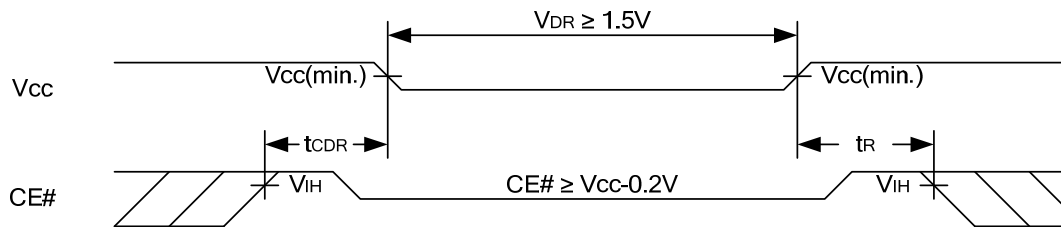


### DATA RETENTION CHARACTERISTICS

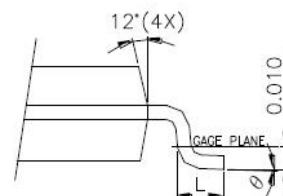
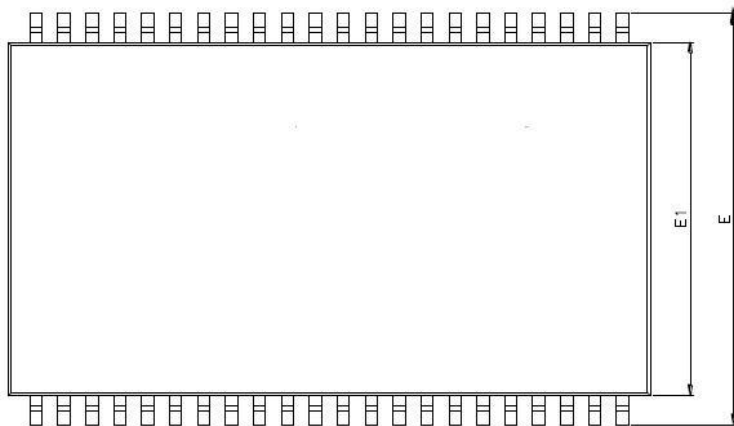
| PARAMETER                           | SYMBOL    | TEST CONDITION  | MIN.       | TYP. | MAX. | UNIT |
|-------------------------------------|-----------|---|------------|------|------|------|
| VCC for Data Retention              | $V_{DR}$  | $CE\# \geq V_{CC} - 0.2V$   | 1.5        | -    | 3.6  | V    |
| Data Retention Current              | $I_{DR}$  | $V_{CC} = 1.5V$<br>$CE\# \geq V_{CC} - 0.2V$<br>Others at 0.2V or $V_{CC} - 0.2V$ | -          | 2    | 10   | mA   |
| Chip Disable to Data Retention Time | $t_{CDR}$ | See Data Retention Waveforms (below)  | 0          | -    | -    | ns   |
| Recovery Time                       | $t_R$     |   | $t_{RC}^*$ | -    | -    | ns   |

$t_{RC}^*$  = Read Cycle Time

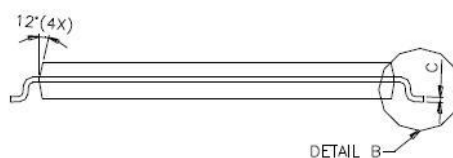
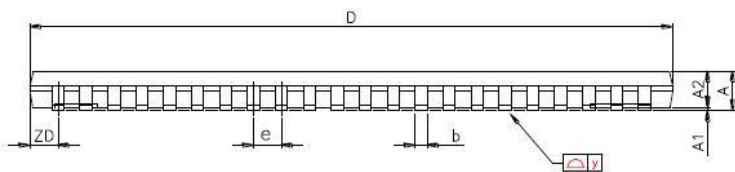
### DATA RETENTION WAVEFORM





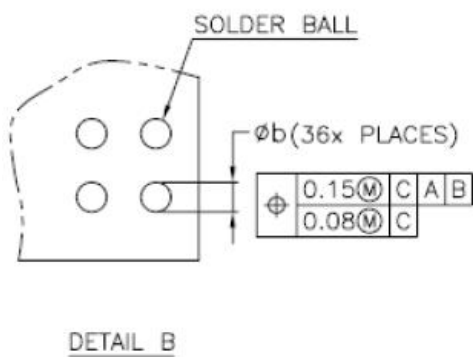
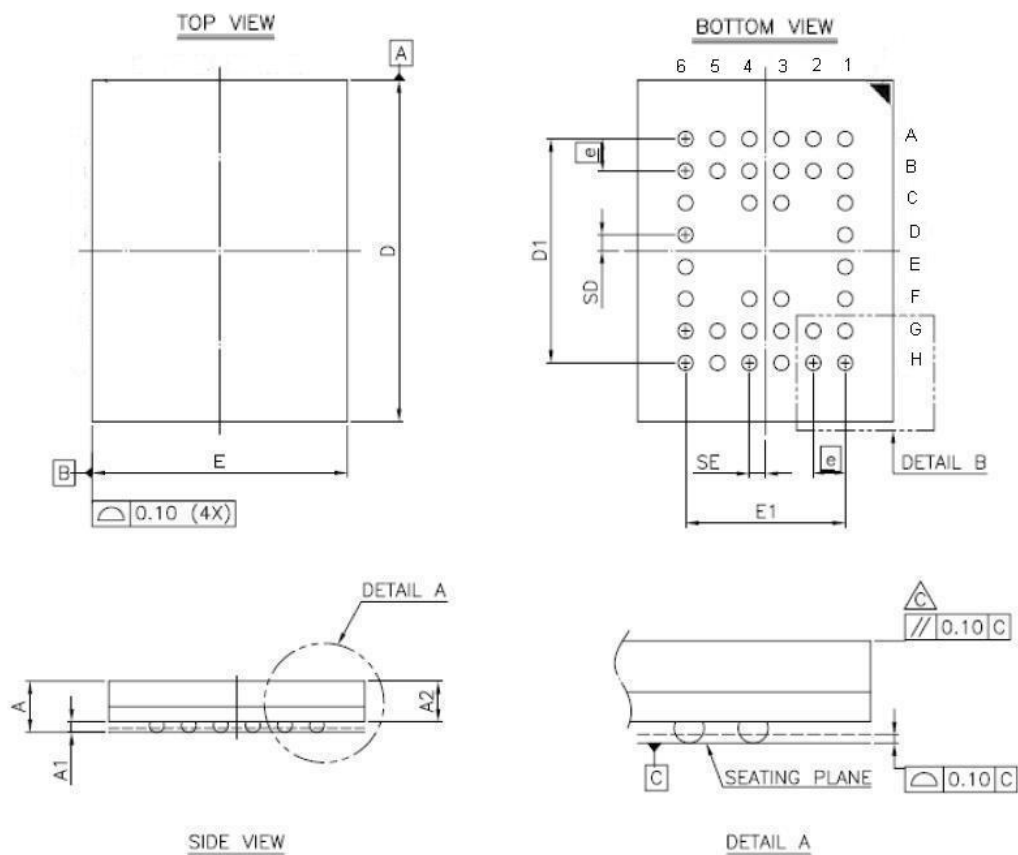
**PACKAGE OUTLINE DIMENSION**
**44-pin 400mil TSOP-II Package Outline Dimension**


DETAIL B



DETAIL B

| SYMBOLS | DIMENSIONS IN MILLIMETERS |        |        | DIMENSIONS IN MILS |      |      |
|---------|---------------------------|--------|--------|--------------------|------|------|
|         | MIN.                      | NOM.   | MAX.   | MIN.               | NOM. | MAX. |
| A       | -                         | -      | 1.20   | -                  | -    | 47.2 |
| A1      | 0.05                      | 0.10   | 0.15   | 2.0                | 3.9  | 5.9  |
| A2      | 0.95                      | 1.00   | 1.05   | 37.4               | 39.4 | 41.3 |
| b       | 0.30                      | -      | 0.45   | 11.8               | -    | 17.7 |
| c       | 0.12                      | -      | 0.21   | 4.7                | -    | 8.3  |
| D       | 18.212                    | 18.415 | 18.618 | 717                | 725  | 733  |
| E       | 11.506                    | 11.760 | 12.014 | 453                | 463  | 473  |
| E1      | 9.957                     | 10.160 | 10.363 | 392                | 400  | 408  |
| e       | -                         | 0.800  | -      | -                  | 31.5 | -    |
| L       | 0.40                      | 0.50   | 0.60   | 15.7               | 19.7 | 23.6 |
| ZD      | -                         | 0.805  | -      | -                  | 31.7 | -    |
| y       | -                         | -      | 0.076  | -                  | -    | 3    |
| θ       | 0°                        | 3°     | 6°     | 0°                 | 3°   | 6°   |

**36 ball 6mm × 8mm TFBGA Package Outline Dimension**


| SYM. | DIMENSION (mm) |      |      | DIMENSION (inch) |       |       |
|------|----------------|------|------|------------------|-------|-------|
|      | MIN.           | NOM. | MAX. | MIN.             | NOM.  | MAX.  |
| A    | —              | —    | 1.20 | —                | —     | 0.047 |
| A1   | 0.20           | 0.25 | 0.30 | 0.008            | 0.010 | 0.012 |
| A2   | —              | —    | 0.94 | —                | —     | 0.037 |
| b    | 0.30           | 0.35 | 0.40 | 0.012            | 0.014 | 0.016 |
| D    | 7.95           | 8.00 | 8.05 | 0.313            | 0.315 | 0.317 |
| D1   | 5.25 BSC       |      |      | 0.207 BSC        |       |       |
| E    | 5.95           | 6.00 | 6.05 | 0.234            | 0.236 | 0.238 |
| E1   | 3.75 BSC       |      |      | 0.148 BSC        |       |       |
| SE   | 0.375 TYP      |      |      | 0.015 TYP        |       |       |
| SD   | 0.375 TYP      |      |      | 0.015 TYP        |       |       |
| Ⓜ    | 0.75 BSC       |      |      | 0.030 BSC        |       |       |

NOTE:  
 1. CONTROLLING DIMENSION : MILLIMETER.  
 2. REFERENCE DOCUMENT : JEDEC MO-207.