

Revision History**AS9Fxx Series : 1Gb / 2Gb / 4Gb / 8Gb, x8bits, 1.8V/3.3V SLC Parallel NAND FLASH**

Revision	Details	Date
Rev 1.0	Initial Release	Mar. 2023

Features

- **HIGH DENSITY NAND FLASH MEMORIES**

Cost effective solutions for mass storage applications

- **DENSITY**

1Gbit / 2Gbit / 4Gbit / 8Gbit

- **NAND INTERFACE**

x8 bus width.

Pinout compatibility for all densities

- **SUPPLY VOLTAGE**

3.3V Device : Vcc = 2.7V ~ 3.6V

1.8V Device : Vcc = 1.7V ~ 1.95V

- **PAGE SIZE**

1Gb: (2K+64 spare) bytes

2Gb: (2K+128 spare) bytes

4Gb & 8Gb: (2K+128 spare) bytes

- **BLOCK SIZE**

1Gb : (128 K + 4 K spare) bytes

2Gb : (128 K + 8 K spare) bytes

4Gb & 8Gb : (128 K + 8 K spare) bytes

- **PLANE SIZE**

1Gb : 1024 Blocks per Plane

2Gb : 1024 Blocks per Plane

4Gb & 8Gb : 2048 Blocks per Plane

- **DEVICE SIZE**

1Gb : 1 plane per device or 128M bytes

2Gb : 2 plane per device or 256M bytes

4Gb : 2 plane per device or 512M bytes

8Gb : Dual 4Gb Dies per Package, 1024M bytes

- **PAGE READ / PROGRAM**

- Random access (tR) :

1Gb : 25 us (max.)

2Gb : 30 us (max.)

4Gb / 8Gb : 30 us (max.)

- Sequential access :

3.3V : 25 ns (min.)

1.8V : 45ns (min.)

- Page program time :

3.3V : 300 us (typ.)

1.8V : 300 us (typ.)

- **FAST BLOCK ERASE**

1Gb : Block erase time: 3 ms (Typ)

2Gb : Block erase time: 3.5 ms (Typ)

4Gb / **8Gb** : Block erase time: 3.5 ms (Typ)

- **COPY BACK PROGRAM**

- Fast Data Copy without external buffering

- **CACHE READ**

- Internal buffer to improve the read throughput

- **CHIP ENABLE DON'T CARE**

- Simple interface with microcontroller

- **STATUS REGISTER**

Normal Status Register (Read/Program/Erase)

- **HARDWARE DATA PROTECTION**

- Program/Erase locked during Power transitions.

- **DATA RETENTION**

- 100,000 Program/Erase cycles

(with 4-bit ECC per 528 bytes (×8))

- 10 years Data Retention

- **ONFI 1.0 COMPLIANT COMMAND SET**

- **ELECTRONIC SIGNATURE**

- 1st cycle : Manufacturer Code

- 2nd cycle : Device Code

- 3rd cycle : Internal chip number, Cell Type, Number of Simultaneously Programmed Pages.

- 4th cycle : Page size, Block size, Organization, Spare size

- 5th cycle: ECC, Multi-plane information (2Gb/4Gb only)

- **PACKAGE**

63-Ball FBGA (9.0 x 11 x 1.0 mm)

- **Operating Temperature**

Industrial : -40°C ~85°C

Automotive Grade2 : -40°C ~105°C

- **Compliance with RoHS Directive**

1. SUMMARY DESCRIPTION

Alliance SLC Parallel NAND **AS9Fxx** Series is offered in 1.8V & 3.3V Vcc Power Supply, and with x8 I/O interface. Its NAND cell provides the most cost-effective solution for the solid state mass storage market. The memory is divided into blocks that can be erased independently so it is possible to preserve valid data while old data is erased.

The device contains 1024/2048 blocks in SLC NAND Device. Data in the page can be read out at 25ns(3.3V)/45ns(1.8V) cycle time per bytes. The I/O pins serve as the ports for address and data input/output as well as command input. This interface allows a reduced pin count and easy migration towards different densities, without any rearrangement of footprint.

Commands, Data and Addresses are synchronously introduced using CE, WE, RE, ALE and CLE input pin.

The on-chip Program/Erase Controller automates all program and erase functions including pulse repetition, where required, and internal verification and margining of data. The modify operations can be locked using the WP input.

The chip supports CE don't care function. This function allows the direct download of the code from the NAND Flash memory device by a microcontroller, since the CE transitions do not stop the read operation.

In addition, device supports ONFI 1.0 specification.

It is the recommendation for all 8Gb products listed above to change the Logical Units (LUN) from 1 to 2 in the "Static-ONFI Parameters"

The output pin R/B (open drain buffer) signals the status of the device during each operation. In a system with multiple memories the R/B pins can be connected all together to provide a global status signal.

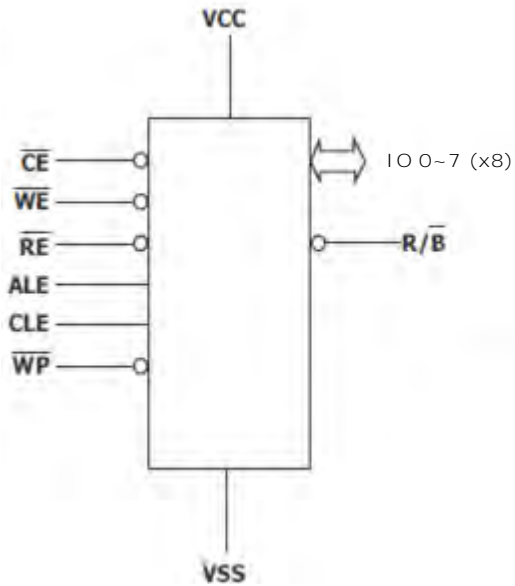
Even the write-intensive systems can take advantage of the **AS9F** NAND Series extended reliability of 100 K program/ erase cycles by providing ECC (Error Correcting Code) with real time mapping-out algorithm.

The copy back function allows the optimization of defective blocks management: when a page program operation fails the data can be directly programmed in another page inside the same array section without the time-consuming serial data insertion phase. Data read out after copy back read is allowed.

This device includes also extra features like OTP/Unique ID area, Read ID2 extension.

1.1 Product Ordering Information

DENSITY	PART NUMBER	INTERFACE	Spare Area	Vcc & VccQ Range	PACKAGE TYPE	Temp.
1Gb	AS9F31G08SA-25BIN	x8	64 bytes	2.7V to 3.6V	63-Ball FBGA (9.0 x 11.0)	Industrial
2Gb	AS9F32G08SA-25BIN	x8	128 bytes	2.7V to 3.6V	63-Ball FBGA (9.0 x 11.0)	
4Gb	AS9F34G08SA-25BIN	x8	128 bytes	2.7V to 3.6V	63-Ball FBGA (9.0 x 11.0)	
	AS9F14G08SA-45BIN	x8	128 bytes	1.7V to 1.95V	63-Ball FBGA (9.0 x 11.0)	
8Gb (DDP)	AS9F38G08SA-25BIN	x8	128 bytes	2.7V to 3.6V	63-Ball FBGA (9.0 x 11.0)	
	AS9F18G08SA-45BIN	x8	128 bytes	1.7V to 1.95V	63-Ball FBGA (9.0 x 11.0)	
4Gb	AS9F14G08SA-45BAN	x8	128 bytes	1.7V to 1.95V	63-Ball FBGA (9.0 x 11.0)	Auto Grade2
8Gb(DDP)	AS9F18G08SA-45BAN	x8	128 bytes	1.7V to 1.95V	63-Ball FBGA (9.0 x 11.0)	



IO0~IO7 (x8)	Data Input/Outputs
CLE	Command Latch Enable
ALE	Address Latch Enable
CE#	Chip Enable
RE#	Read Enable
WE#	Write Enable
WP#	Write Protect
R/B#	Read/Busy
VCC	Power Supply
VSS	Ground
NC	Not Connected

Table 1 : Signal Names

Figure 1.1 : 1/2/4Gb Logic Diagram

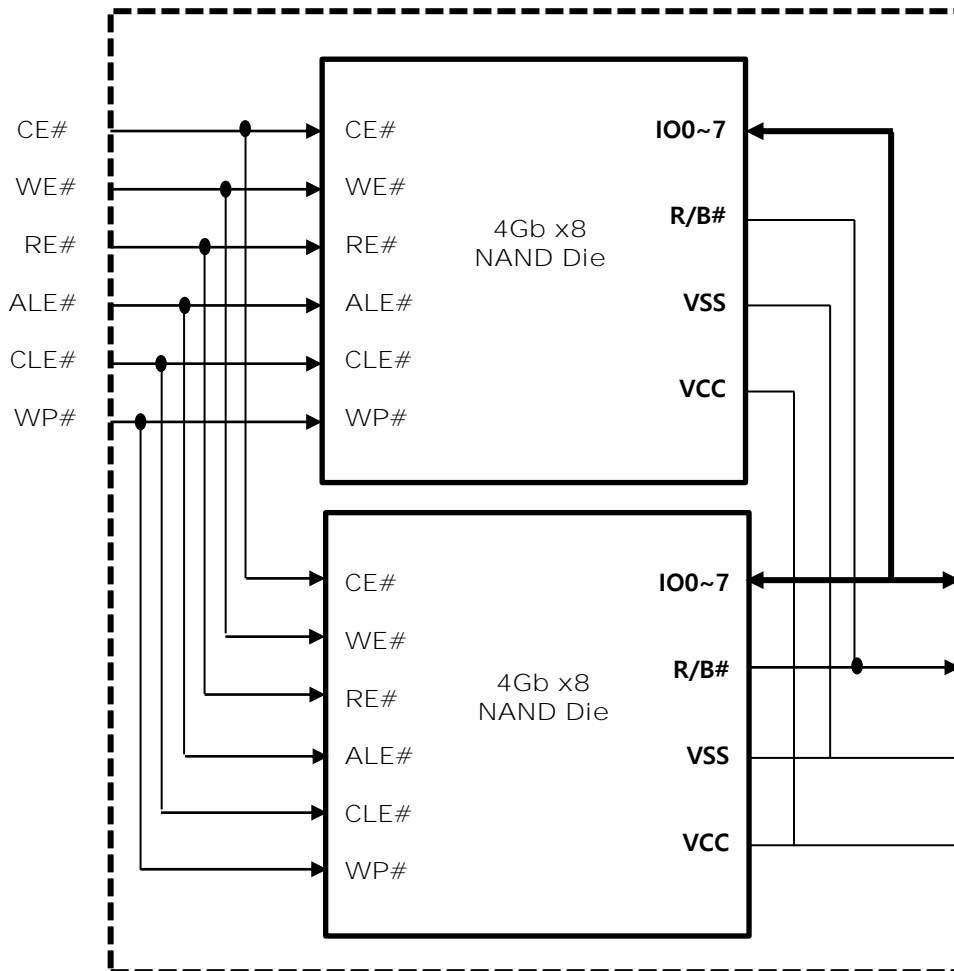


Figure 1.2 : 8Gb PKG Block diagram

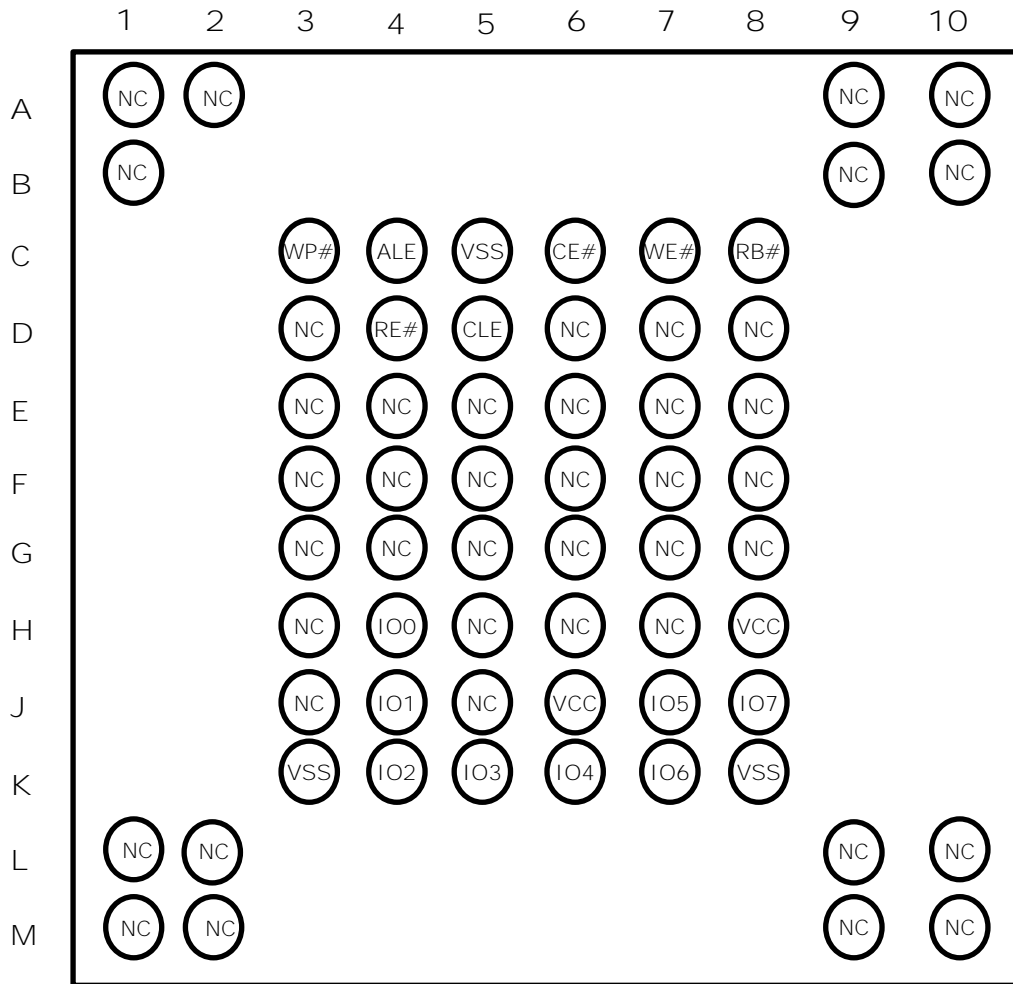


Figure 2.1 : 63-FBGA Contact, x8 Device, **9mm x 11mm**

1.2 PIN DESCRIPTION

Pin Name	Function	Description
IO0 ~ IO7	DATA INPUTS/OUTPUTS	The IO pins allow to input command, address and data and to output data during read / program operations. The inputs are latched on the rising edge of Write Enable (WE). The I/O buffer float to High-Z when the device is deselected or the outputs are disabled.
CLE	COMMAND LATCH ENABLE	This input activates the latching of the IO inputs inside the Command Register on the Rising edge of Write Enable (WE).
ALE	ADDRESS LATCH ENABLE	This input activates the latching of the IO inputs inside the Address Register on the Rising edge of Write Enable (WE).
CE	CHIP ENABLE	This input controls the selection of the device.
WE	WRITE ENABLE	This input acts as clock to latch Command, Address and Data. The IO inputs are latched on the rise edge of WE.
RE	READ ENABLE	The RE input is the serial data-out control, and when active drives the data onto the I/O bus. Data is valid tREA after the falling edge of RE which also increments the internal column address counter by one.
WP	WRITE PROTECT	The WP pin, when Low, provides an Hardware protection against undesired modify (program / erase) operations.
R/B	READY BUSY	The Ready/Busy output is an Open Drain pin that signals the state of the memory.
Vcc	SUPPLY VOLTAGE	The Vcc supplies the power for all the operations (Read, Write, Erase).
Vss	GROUND	GROUND
NC	NO CONNECTION	NO CONNECTION

Table 2 : Pin Description

NOTE :

1. A 0.1uF capacitor should be connected between the Vcc Supply Voltage pin and the Vss Ground pin to decouple the current surges from the power supply. The PCB track widths must be sufficient to carry the currents required during program and erase operations.

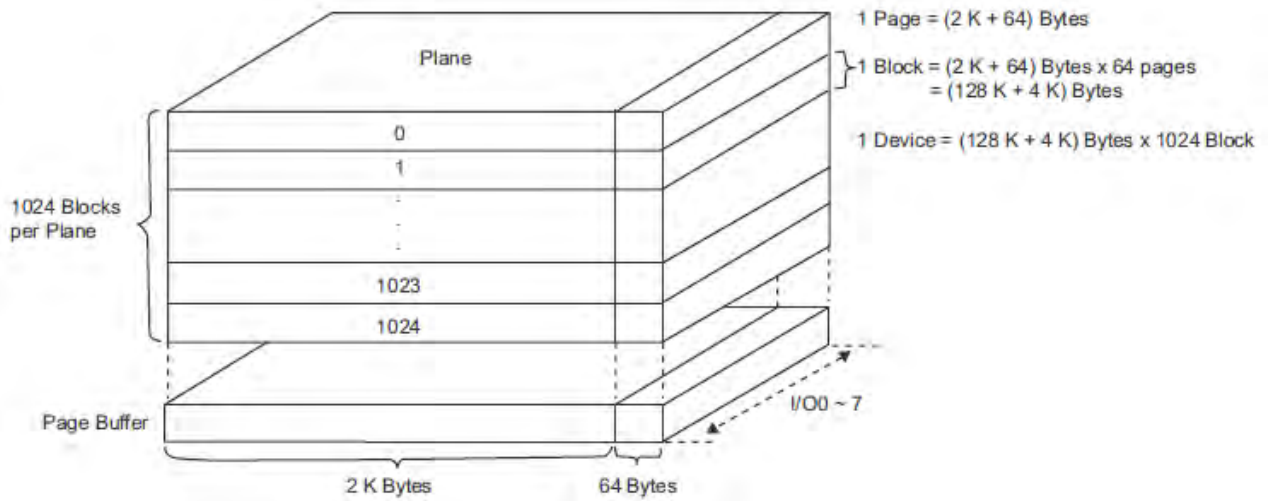


Figure 3.1 : 1Gb Array Organization (x8)

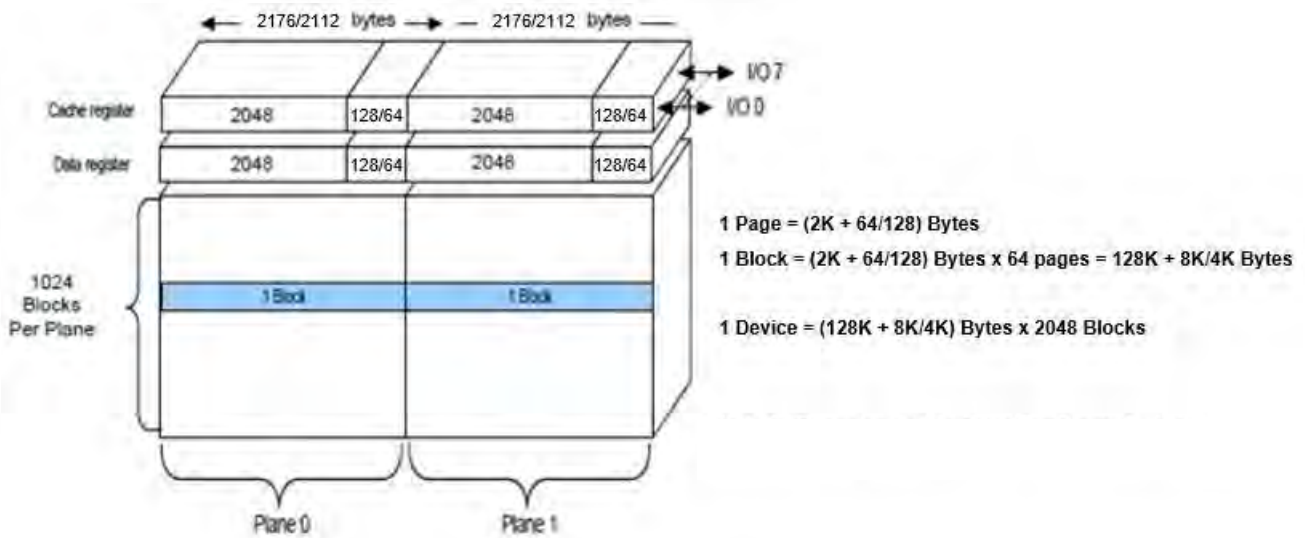


Figure 3.2 : 2Gb Array Organization (x8)

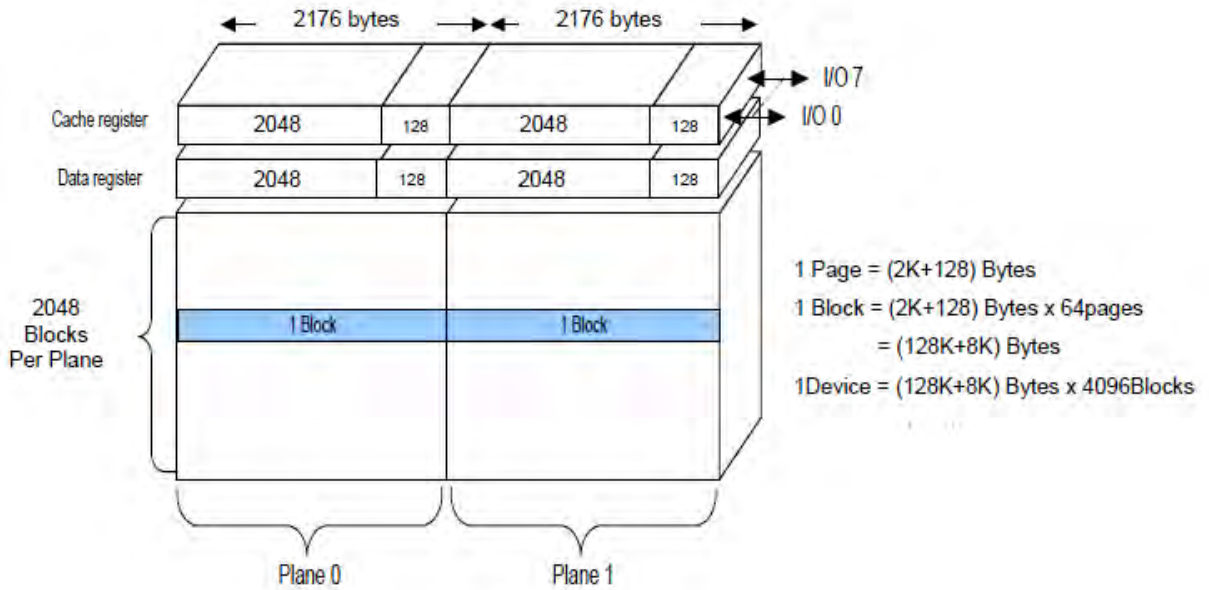


Figure 3.3 : 4Gb Array Organization (x8)

1.3 Addressing

	IO0	IO1	IO2	IO3	IO4	IO5	IO6	IO7
x8								
1 st Cycle	A0	A1	A2	A3	A4	A5	A6	A7
2 nd Cycle	A8	A9	A10	A11	Low	Low	Low	Low
3 rd Cycle	A12	A13	A14	A15	A16	A17	A18	A19
4 th Cycle	A20	A21	A22	A23	A24	A25	A26	A27

Table 3.1 : 1Gb Address Cycle Map

NOTES :

1. Low must be set to Low.
2. 1st & 2nd cycle are Column Address.
3. 3rd to 4th cycle are Row Address.

For the x8 address bits, the following rules apply:

- A0 - A11: column address in the page
- A12 - A17: page address in the block
- A18 - A27: block address

	IO0	IO1	IO2	IO3	IO4	IO5	IO6	IO7
x8								
1 st Cycle	A0	A1	A2	A3	A4	A5	A6	A7
2 nd Cycle	A8	A9	A10	A11	Low	Low	Low	Low
3 rd Cycle	A12	A13	A14	A15	A16	A17	A18	A19
4 th Cycle	A20	A21	A22	A23	A24	A25	A26	A27
5 th Cycle	A28	Low	Low	Low	Low	Low	Low	Low

Table 3.2 : 2Gb Address Cycle Map

NOTES :

1. Low must be set to Low.
2. 1st & 2nd cycle are Column Address.
3. 3rd to 5th cycle are Row Address.

For the x8 address bits, the following rules apply:

- A0 - A11: column address in the page
- A12 - A17: page address in the block
- A18: plane address (for multiplane operations) / block address (for normal operations)
- A19 - A28: block address

	I00	I01	I02	I03	I04	I05	I06	I07
x8								
1 st Cycle	A0	A1	A2	A3	A4	A5	A6	A7
2 nd Cycle	A8	A9	A10	A11	Low	Low	Low	Low
3 rd Cycle	A12	A13	A14	A15	A16	A17	A18	A19
4 th Cycle	A20	A21	A22	A23	A24	A25	A26	A27
5 th Cycle	A28	A29	Low	Low	Low	Low	Low	Low

Table 3.3 : 4Gb Address Cycle Map

NOTES :

1. Low must be set to Low.
2. 1st & 2nd cycle are Column Address.
3. 3rd to 5th cycle are Row Address.

For the x8 address bits, the following rules apply:

- A0 - A11: column address in the page
- A12 - A17: page address in the block
- A18: plane address (for multiplane operations) / block address (for normal operations)
- A19 – A29: block address

	I00	I01	I02	I03	I04	I05	I06	I07
x8								
1 st Cycle	A0	A1	A2	A3	A4	A5	A6	A7
2 nd Cycle	A8	A9	A10	A11	Low	Low	Low	Low
3 rd Cycle	A12	A13	A14	A15	A16	A17	A18	A19
4 th Cycle	A20	A21	A22	A23	A24	A25	A26	A27
5 th Cycle	A28	A29	A30	Low	Low	Low	Low	Low

Table 3.3 : 8Gb Address Cycle Map

NOTES :

1. Low must be set to Low
2. 1st & 2nd cycle are Column Address
3. 3rd to 5th cycle are Row Address
4. A30 for 8Gb(4Gb x 2 -DDP)(1CE)

For the x8 address bits, the following rules apply:

- A0 - A11: column address in the page
- A12 - A17: page address in the block
- A18: plane address (for multiplane operations) / block address (for normal operations)
- A19 – A29: block address
- A30 for 8Gb DDP(1CE)

1.4 Command Set

Function	1 st Cycle	2 nd Cycle	3 rd Cycle	4 th Cycle	Acceptable Command During Busy
PAGE READ	00h	30h	-	-	No
READ FOR COPY-BACK	00h	35h			No
SPECIAL READ FOR COPY BACK	00h	36h			No
READ ID	90h				No
READ ID2	30h-65h-00h	30h			
RESET	FFh				Yes
PAGE PROGRAM(Start) CACHE PROGRAM(End)	80h	10h			No
CACHE PROGRAM(Start)	80h	15h			No
PAGE RE-PROGRAM	8Bh	10h			No
COPY BACK PROGRAM	85h	10h			No
BLOCK ERASE	60h	D0h			No
READ STATUS REGISTER	70h				Yes
RANDOM DATA INPUT	85h				No
RANDOM DATA OUTPUT	05h	E0h			No
CACHE READ (SEQUENTIAL)	31h				No
CACHE READ(End)	3Fh				No
READ PARAMETER PAGE	ECh				No

Table 4.1 : 1Gb Command Set

Function	1 st Cycle	2 nd Cycle	3 rd Cycle	4 th Cycle	Acceptable Command During Busy
PAGE READ	00h	30h	-	-	No
READ FOR COPY-BACK	00h	35h			No
SPECIAL READ FOR COPY BACK	00h	36h			No
READ ID	90h				No
READ ID2	30h-65h-00h	30h			
RESET	FFh				Yes
PAGE PROGRAM(Start) CACHE PROGRAM(End)	80h	10h			No
CACHE PROGRAM(Start)	80h	15h			No
PAGE RE-PROGRAM	8Bh	10h			No
COPY BACK PROGRAM	85h	10h			No
(Traditional) MULTI PLANE PROGRAM	80h	11h	81h	10h	No
ONFI MULTI PLANE PROGRAM	80h	11h	80h	10h	No
MULTIPLANE PAGE RE-PROGRAM	8Bh	11h	8Bh	10h	No
(Traditional) MULTI PLANE CACHE PGM(start/cont)	80h	11h	81h	15h	No
ONFI MULTI PLANE CACHE PGM(start/cont)	80h	11h	80h	15h	No
(Traditional) MULTI PLANE CACHE PGM(end)	80h	11h	81h	10h	No
ONFI MULTI PLANE CACHE PGM(end)	80h	11h	80h	10h	No
(Traditional) MULTI PLANE COPY BACK PROGRAM	85h	11h	81h	10h	No
ONFI MULTI PLANE COPY BACK PROGRAM	85h	11h	85h	10h	No
BLOCK ERASE	60h	D0h			No
(Traditional) MULTI PLANE BLOCK ERASE	60h	60h	D0h		No
ONFI MULTI PLANE BLOCK ERASE	60h	D1h	60h	D0h	No
READ STATUS REGISTER	70h				Yes
READ STATUS ENHANCED	78h				Yes
RANDOM DATA INPUT	85h				No
RANDOM DATA OUTPUT	05h	E0h			No
CACHE READ (SEQUENTIAL)	31h				No
CACHE READ ENHANCED (RANDOM)	00h	31h			No
CACHE READ(End)	3Fh				No
READ PARAMETER PAGE	ECh				No

Table 4.2 : 2Gb Command Set

Function	1 st Cycle	2 nd Cycle	3 rd Cycle	4 th Cycle	Acceptable Command During Busy
PAGE READ	00h	30h	-	-	No
READ FOR COPY-BACK	00h	35h			No
SPECIAL READ FOR COPY BACK	00h	36h			No
READ ID	90h				No
READ ID2	30h-65h-00h	30h			
RESET	FFh				Yes
PAGE PROGRAM(Start) CACHE PROGRAM(End)	80h	10h			No
CACHE PROGRAM(Start)	80h	15h			No
PAGE RE-PROGRAM	8Bh	10h			No
COPY BACK PROGRAM	85h	10h			No
(Traditional) MULTI PLANE PROGRAM	80h	11h	81h	10h	No
ONFI MULTI PLANE PROGRAM	80h	11h	80h	10h	No
MULTIPLANE PAGE RE-PROGRAM	8Bh	11h	8Bh	10h	No
(Traditional) MULTI PLANE CACHE PGM(start/cont)	80h	11h	81h	15h	No
ONFI MULTI PLANE CACHE PGM(start/cont)	80h	11h	80h	15h	No
(Traditional) MULTI PLANE CACHE PGM(end)	80h	11h	81h	10h	No
ONFI MULTI PLANE CACHE PGM(end)	80h	11h	80h	10h	No
(Traditional) MULTI PLANE COPY BACK PROGRAM	85h	11h	81h	10h	No
ONFI MULTI PLANE COPY BACK PROGRAM	85h	11h	85h	10h	No
BLOCK ERASE	60h	D0h			No
(Traditional) MULTI PLANE BLOCK ERASE	60h	60h	D0h		No
ONFI MULTI PLANE BLOCK ERASE	60h	D1h	60h	D0h	No
READ STATUS REGISTER	70h				Yes
READ STATUS ENHANCED	78h				Yes
RANDOM DATA INPUT	85h				No
RANDOM DATA OUTPUT	05h	E0h			No
CACHE READ (SEQUENTIAL)	31h				No
CACHE READ ENHANCED (RANDOM)	00h	31h			No
CACHE READ(End)	3Fh				No
READ PARAMETER PAGE	ECh				No
EXTENDED READ STATUS	F2/F3/F4/F5h				Yes

Table 4.3 : 4Gb Command Set

1.5 Mode Selection

Mode		CLE	ALE	CE#	WE#	RE#	WP#
Read Mode	Command Input	High	Low	Low	Rising	High	X
	Address Input (4 cycles)	Low	High	Low	Rising	High	X
Program	Command Input	High	Low	Low	Rising	High	High
	Address Input (4 cycles)	Low	High ¹⁾	Low	Rising	High	High
Data Input		Low	Low	Low	Rising	High	High
Sequential Read and Data Output		Low	Low ¹⁾	Low	High	Falling	X
Busy Time in Read		Low	Low	Low	High ³⁾	High ³⁾	X
Busy Time in Program		X	X ¹⁾	X	X	X	High
Busy Time in Erase		X	X	X	X	X	High
Write Protect		X	X	X	X	X	Low
Stand By		X	X	High	X	X	0V / Vcc ²⁾

Table 5 : Mode Selection

NOTES :

1. X can be VIL or VIH. H = Logic level HIGH. L = Logic level LOW.
2. WP# should be biased to CMOS high or CMOS low for stand-by mode.
3. WE# and RE# during Read Busy must be keep on high to prevent unplanned command/address/data input or to avert unintended data out. In this time, only Reset, Read Status, and Multi Plane Read Status can be input to the device.

2. BUS OPERATION

There are six standard bus operations that control the device. These are Command Input, Address Input, Data Input, Data Output, Write Protect, and Standby.

Typically glitches less than 5 ns on Chip Enable, Write Enable and Read Enable are ignored by the memory and do not affect bus operations.

2.1 Command Input

Command Input bus operation is used to give a command to the memory device. Command are accepted with Chip Enable low, Command Latch Enable High, Address Latch Enable low and Read Enable High and latched on the rising edge of Write Enable. Moreover for commands that starts a modify operation (write/erase) the Write Protect pin must be high. See Figure 5 and Table 12 for details of the timings requirements.

2.2 Address Input

The Address Input bus operation allows the insertion of the memory address. For the 2Gb and 4Gb devices, five write cycles are needed to input the addresses. For the 1Gb, four write cycles are needed to input the addresses. If necessary, a 5th dummy address cycle can be issued to 1Gb, which will be ignored by the NAND device without causing problems. Addresses are accepted with Chip Enable low, Address Latch Enable high, Command Latch Enable low, and Read Enable high and latched on the rising edge of Write Enable. Moreover for commands that starts a modify operation (write/erase) the Write Protect pin must be high. See Figure 6 and Table 12 for details of the timings requirements.

2.3 Data Input

Data Input bus operation allows to feed to the device the data to be programmed. The data insertion is serially and timed by the Write Enable cycles. Data are accepted only with Chip Enable low, Address Latch Enable low, Command Latch Enable low, Read Enable High, and Write Protect High and latched on the rising edge of Write Enable. See Figure 7 and Table 12 for details of the timings requirements.

2.4 Data Output

Data Output bus operation allows to read data from the memory array and to check the status register content, the lock status and the ID data. Data can be serially shifted out toggling the Read Enable pin with Chip Enable low, Write Enable High, Address Latch Enable low, and Command Latch Enable low. See Figure 8, 9, 10 and Table 12 for details of the timings requirements.

2.5 Write Protect

Hardware Write Protection is activated when the Write Protect pin is low. In this condition modify operation do not start and the content of the memory is not altered. Write Protect pin is not latched by Write Enable to ensure the protection even during the power up.

2.6 Standby

In Standby the device is deselected, outputs are disabled and Power Consumption reduced.

3. DEVICE OPERATION

3.1 Page Read

Upon initial device power up, the device defaults to Read mode. This operation is also initiated by writing 00h and 30h to the command register along with four address cycles. In two consecutive read operations, the second one does not need 00h command, which four address cycles and 30h command initiates that operation. Second read operation always requires setup command if first read operation was executed using also random data out command.

Two types of operations are available: random read, serial page read. The random read mode is enabled when the page address is changed. The 2112 bytes of data within the selected page are transferred to the data registers in less than 25 us(tR). The system controller may detect the completion of this data transfer (tR) by analyzing the output of R/B pin. Once the data in a page is loaded into the data registers, they may be read out in 25 ns cycle time by sequentially pulsing RE. The repetitive high to low transitions of the RE clock make the device output the data starting from the selected column address up to the last column address.

The device may output random data in a page instead of the consecutive sequential data by writing random data output command.

The column address of next data, which is going to be out, may be changed to the address which follows random data output command.

Random data output can be operated multiple times regardless of how many times it is done in a page.

After power up, device is in read mode so 00h command cycle is not necessary to start a read operation.

Any operation other than read or random data output causes device to exit read mode.

Check Figure 11, Figure 12, and Figure 13 as references.

3.2 Page Program

2K and 4K devices contain 2,048 and 4,096 erasable blocks, divided into 64 programmable pages. Each page can be divided into several cases according to the size of the page and spare area.

- Case: (Page Size + Spare Area)

	1Gb	2Gb		4Gb	
Page	2k	2k		2k	4k
Spare	64	64	128	128	256
Byte (x8)	2,112	2,112	2,176	2,176	4,352

A page program cycle consists of a serial data loading period in which up to each case of data may be loaded into the data register, followed by a non-volatile programming period where the loaded data is programmed into the appropriate cell.

The serial data loading period begins by inputting the Serial Data Input command (80h), followed by the four cycle address inputs and then serial data. The words other than those to be programmed do not need to be loaded. The device supports random data input in a page. The column address of next data, which will be entered, may be changed to the address which follows random data input command (85h). Random data input may be operated multiple times regardless of how many times it is done in a page.

The Page Program confirm command (10h) initiates the programming process. Writing 10h alone without previously entering the serial data will not initiate the programming process. The internal write state controller automatically executes the algorithms and timings necessary for program and verify, thereby freeing the system controller for other tasks. Once the program process starts, the Read Status Register command may be entered to read the status register.

The system controller can detect the completion of a program cycle by monitoring the R/B output, or the Status bit (I/O 6) of the Status Register. Only the Read Status command and Reset command are valid while programming is in progress. When the Page Program is complete, the Write Status Bit (I/O 0) may be checked. The internal write verify detects only errors for "1"s that are not successfully programmed to "0"s. The command register remains in Read Status command mode until another valid command is written to the command register. Figure 14 and Figure 15 detail the sequence.

3.3 Block Erase

The Erase operation is done on a block basis. Block address loading is accomplished in two cycles initiated by an Erase Setup command (60h). Only address A18 to A27 is valid while A12 to A17 are ignored. The Erase Confirm command (D0h) following the block address loading initiates the internal erasing process. This two-step sequence of setup followed by execution command ensures that memory contents are not accidentally erased due to external noise conditions.

At the rising edge of WE after the erase confirm command input, the internal write controller handles erase and erase verify. Once the erase process starts, the Read Status Register command may be entered to read the status register. The system controller can detect the completion of an erase by monitoring the R/B output, or the Status bit (I/O 6) of the Status Register.

Only the Read Status command and Reset command are valid while erasing is in progress. When the erase operation is completed, the Write Status Bit (I/O 0) may be checked.

Figure 18 details the sequence.

3.4 Copy-Back Program

The copy-back program is configured to quickly and efficiently rewrite data stored in one page without utilizing an external memory. Since the time-consuming cycles of serial access and re-loading cycles are removed, the system performance is improved. The benefit is especially obvious when a portion of a block is updated and the rest of the block is also needed to be copied to the newly assigned free block. The operation for performing a copy-back program is a sequential execution of page-read without serial access and copying-program with the address of destination page. A read operation with "35h" command and the address of the source page moves the whole 2112bytes data into the internal data buffer. As soon as the device returns to Ready state, optional data read-out is allowed by toggling RE, or Copy Back command (85h) with the address cycles of destination page may be written. The Program Confirm command (10h) is required to actually begin the programming operation. Data input cycle for modifying a portion or multiple distant portions of the source page is allowed as shown in Figure 17.

"When there is a program-failure at Copy-Back operation, error is reported by pass/fail status. But, if Copy-Back operations are accumulated over time, bit error due to charge loss is not checked by external error detection/correction scheme.

For this reason, two bit error correction is recommended for the use of Copy-Back operation."

Figure 16 and Figure 17 show the command sequence for the copy-back operation.

Please note that WP value is don't care during Read for copy back, while it must be set to Vcc when performing the program .

3.5 Read Status Register

The device contains a Status Register which may be read to find out whether read, program or erase operation is completed, and whether the program or erase operation is completed successfully. After writing 70h command to the command register, a read cycle outputs the content of the Status Register to the I/O pins on the falling edge of CE or RE, whichever occurs last. This two line control allows the system to poll the progress of each device in multiple memory connections even when R/B pins are common-wired. RE or CE does not need to be toggled for updated status. Refer to Table 13 for specific Status Register definitions, and Figure 10 for specific timings requirements. The command register remains in Status Read mode until further commands are issued to it. Therefore, if the status register is read during a random read cycle, the read command (00h) should be given before starting read cycles.

3.6 Reset

The device offers a reset feature, executed by writing FFh to the command register. When the device is in Busy state during random read, program or erase mode, the reset operation will abort these operations. The contents of memory cells being altered are no longer valid, as the data will be partially programmed or erased. The command register is cleared to wait for the next command, and the Status Register is cleared to value E0h when WP is high. Refer to Table 13 for device status after reset operation. If the device is already in reset state a new reset command will not be accepted by the command register. The R/B pin transitions to low for tRST after the Reset command is written (see Figure 19).

3.7 Read Cache

The Read Cache function permits a page to be read from the page register while another page is simultaneously read from the Flash array. A Read Page command, as defined in 3.1, shall be issued prior to the initial sequential or random Read Cache command in a read cache sequence.

The Read Cache function may be issued after the Read function is complete (SR[6] is set to one). The host may enter the address of the next page to be read from the Flash array. Data output always begins at column address 00h. If the host does not enter an address to retrieve, the next sequential page is read. When the Read Cache function is issued, SR[6] is cleared to zero (busy). After the operation is begun SR[6] is set to one (ready) and the host may begin to read the data from the previous Read or Read Cache function. Issuing an additional Read Cache function copies the data most recently read from the array into the page register. When no more pages are to be read, the final page is copied into the page register by issuing the 3Fh command. The host may begin to read data from the page register when SR[6] is set to one (ready). When the 31h and 3Fh commands are issued, SR[6] shall be cleared to zero (busy) until the page has finished being copied from the Flash array.

The host shall not issue a sequential Read Cache (31h) command after the last page of the device is read.

Figure 20 defines the Read Cache behavior and timings for the beginning of the cache operations subsequent to a Read command being issued. SR[6] conveys whether the next selected page can be read from the page register. Figure 20 also shows the Read Cache behavior and timings for the end of cache operation.

3.8 Read ID

The device contains a product identification mode, initiated by writing 90h to the command register, followed by an address input of 00h.

3.8.1 Legacy Read ID

Four read cycles sequentially output the manufacturer code (ADh), and the device code and 00h, 4th cycle ID, respectively.

The command register remains in Read ID mode until further commands are issued to it. shows the operation sequence, while Table 14 to Table 17 explain the bytes meaning.

3.8.2 Read ONFI Signature

To retrieve the ONFI signature, the command 90h together with an address of 20h shall be entered (i.e. it is not valid to enter an address of 00h and read 36 bytes to get the ONFI signature). The ONFI signature is the ASCII encoding of 'ONFI' where 'O' = 4Fh, 'N' = 4Eh, 'F' = 46h, and 'I' = 49h. Reading beyond four bytes yields indeterminate values. Figure 22 shows the operation sequence.

3.9 Read Parameter Page

The Read Parameter Page function retrieves the data structure that describes the chip's organization, features, timings and other behavioral parameters. Figure 23 defines the Read Parameter Page behavior. This data structure enables the host processor to automatically recognize the NAND Flash configuration of a device. The whole data structure is repeated at least three times.

The Random Data Read command can be issued during execution of the read parameter page to read specific portions of the parameter page. The Read Status command may be used to check the status of read parameter page during execution.

After completion of the Read Status command, 00h is issued by the host on the command line to continue with the data output flow for the Read Parameter Page command.

Read Status Enhanced shall not be used during execution of the Read Parameter Page command.

Note: For Tech 32nm Alliance SLC NAND, for a particular condition, the Read Parameter Page command does not give the correct values. To overcome this issue, the host must issue a Reset command before the Read Parameter Page command. Issuance of Reset before the Read Parameter Page command will provide the correct values.

3.10 Parameter Page Data Structure Definition

Table 18 defines the parameter page data structure. For parameters that span multiple bytes, the least significant bytes of the parameter corresponds to the first bytes. Values are reported in the parameter page in units of bytes when referring to items related to the size of data access (as in an 8-bit data access device). For example, the chip will return how many data bytes are in a page. For a device that supports 16-bit data access, the host is required to convert bytes values to words values for its use. Unused fields should be cleared to 0h. For more detailed information about Parameter Page Data bits, refer to ONFI Specification 1.0 section 5.4.1

Byte	O/M	Description
Revision information and features block		
0-3	M	Parameter page signature Byte 0: 4Fh, "O" Byte 1: 4Eh, "N" Byte 2: 46h, "F" Byte 3: 49h, "I"
4-5	M	Revision number 2-15 Reserved (0) 1 1 = supports ONFI version 1.0 0 Reserved (0)
6-7	M	Features supported 5-15 Reserved (0) 4 1 = supports odd to even page copy-back 3 1 = supports interleaved operations 2 1 = supports non-sequential page programming 1 1 = supports multiple LUN operations 0 1 = supports 16-bit data bus width

Table 5.1 Parameter Page Description (Sheet 1 of 3)

8-9	M	Optional commands supported 6-15 Reserved (0) 5 1 = supports Read Unique ID 4 1 = supports copy-back 3 1 = supports Read Status Enhanced 2 1 = supports Get Features and Set Features 1 1 = supports Read Cache commands 0 1 = supports Page Cache Program command
10-31		Reserved (0)
Manufacturer information block		
32-43	M	Device manufacturer (12 ASCII characters)
44-63	M	Device model (20 ASCII characters)
64	M	JEDEC manufacturer ID
65-66	O	Date code
67-79		Reserved (0)
Memory organization block		
80-83	M	Number of data bytes per page
84-85	M	Number of spare bytes per page
86-89	M	Number of data bytes per partial page
90-91	M	Number of spare bytes per partial page
92-95	M	Number of pages per block
96-99	M	Number of blocks per logical unit (LUN)
100	M	Number of logical units (LUNs)
101	M	Number of address cycles 4-7 Column address cycles 0-3 Row address cycles
102	M	Number of bits per cell
103-104	M	Bad blocks maximum per LUN
Memory organization block		
105-106	M	Block endurance
107	M	Guaranteed valid blocks at beginning of target
108-109	M	Block endurance for guaranteed valid blocks
110	M	Number of programs per page
111	M	Partial programming attributes 5-7 Reserved 4 1 = partial page layout is partial page data followed by partial page spare 1-3 Reserved 0 1 = partial page programming has constraints
112	M	Number of bits ECC correctability
113	M	Number of interleaved address bits 4-7 Reserved (0) 0-3 Number of interleaved address bits
114	O	Interleaved operation attributes 4-7 Reserved (0) 3 Address restrictions for program cache 2 1 = program cache supported 1 1 = no block address restrictions 0 Overlapped / concurrent interleaving support
115-127		Reserved (0)
Electrical parameters block		
128	M	I/O pin capacitance

Table 5.1 Parameter Page Description (Sheet 3 of 3)

129-130	M	Timing mode support 6-15 Reserved (0) 5 1 = supports timing mode 5 4 1 = supports timing mode 4 3 1 = supports timing mode 3 2 1 = supports timing mode 2 1 1 = supports timing mode 1 0 1 = supports timing mode 0, shall be 1
131-132	O	Program cache timing mode support 6-15 Reserved (0) 5 1 = supports timing mode 5 4 1 = supports timing mode 4 3 1 = supports timing mode 3 2 1 = supports timing mode 2 1 1 = supports timing mode 1 0 1 = supports timing mode 0
133-134	M	t_{PROG} Maximum page program time (μs)
135-136	M	t_{BERS} Maximum block erase time (μs)
137-138	M	t_R Maximum page read time (μs)
139-140	M	t_{CCS} Minimum change column setup time (ns)
141-163		Reserved (0)
Vendor block		
164-165	M	Vendor specific Revision number
166-253		Vendor specific
254-255	M	Integrity CRC
Redundant Parameter Pages		
256-511	M	Value of bytes 0-255
512-767	M	Value of bytes 0-255
768+	O	Additional redundant parameter pages

Note:

1. "O" Stands for Optional, "M" for Mandatory.
2. ONFI Table may not be not matched with product. If you need ONFI function , please contact Alliance sales.
3. 8Gb SLC NAND page parameter values are configured based on value of 4Gb SLC NAND value

4. OTHER FEATURES

4.1 Data Protection

The device is designed to offer protection from any involuntary program/erase during power-transitions. An internal voltage detector disables all functions whenever V_{cc} is below about 1.8 V (3.3 V version). WP pin provides hardware protection and is recommended to be kept at VIL during power-up and power-down. A recovery time of minimum 10 μ s is required before internal circuit gets ready for any command sequences as shown in Figure 24. The two-step command sequence for program/erase provides additional software protection.

4.2 Ready/Busy

The device has a Ready/Busy output that provides method of indicating the completion of a page program, erase, copyback, cache program and random read completion. The R/B pin is normally high and goes to low when the device is busy (after a reset, read, program, erase operation). It returns to high when the internal controller has finished the operation.

The pin is an open-drain driver thereby allowing two or more R/B outputs to be Or-tied. Because pull-up resistor value is related to $t_r(R/B)$ and current drain during busy (I busy), an appropriate value can be obtained with the following reference chart (Figure 25). Its value can be determined by the following guidance.

Density	Symbol	Min	Typ	Max	Unit
1Gb	N _{VB}	1004	-	1024	Blocks
2Gb	N _{VB}	2008	-	2048	Blocks
4Gb	N _{VB}	4016	-	4096	Blocks
8Gb	N _{VB}	8032	-	8192	Blocks

Table 6 : Number of Valid Blocks

NOTE :

1. The 1st block is guaranteed to be a valid block at the time of shipment.

Symbol	Parameter	Value	Unit
T _A	Ambient Operation Temperature (Industrial Temperature Range)	-40 to +85	°C
	Ambient Operation Temperature (Automotive Temperature Range: 'M')	-40 to +105	°C
T _{BIAS}	Temperature Under Bias	-50 to +125	°C
T _{STG}	Storage Temperature	-65 to +150	°C
V _{IO}	Input or Output Voltage	-0.6 to +4.6	V
V _{CC}	Supply Voltage	-0.6 to +4.6	V

Table 7 : Absolute Maximum Ratings

NOTES :

1. Except for the rating "Operating Temperature Range", stresses above those listed in the Table "Absolute Maximum Ratings" may cause permanent damage to the device. These are stress ratings only and operation of the device at these or any other conditions above those indicated in the Operating sections of this specification is not implied. Exposure to Absolute Maximum Rating conditions for extended periods may affect device reliability. Refer also to the **Alliance SURE Program** and other relevant quality documents.

2. Minimum Voltage may undershoot to -2V during transition and for less than 20ns during transitions.

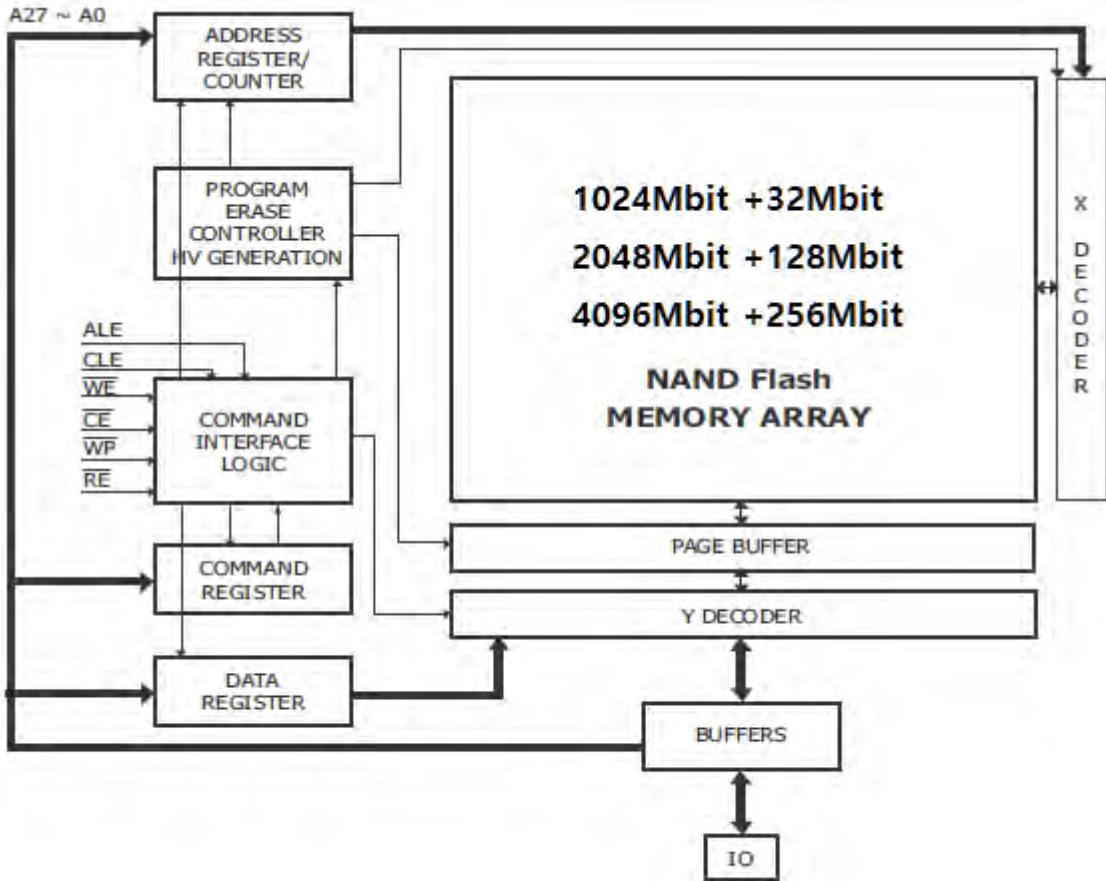


Figure 4 : Functional Block Diagram

Parameter		Symbol	Test Conditions	2.7V ~ 3.6V			Units
				Min	Typ	Max	
Power-On-Reset Current		I _{CC0}	FFh command input after power on	-		50 per device	mA
Operating Current	Read	I _{CC1}	t _{RC} =t _{RC(min)} CE# = V _{IL} , I _{OUT} =0mA	-	15	30	mA
	Program	I _{CC2}	Normal	-	-	30	mA
			Cache	-	-	40	mA
Erase		I _{CC3}		-	15	30	mA
Standby Current, (TTL)		I _{CC4}	CE# = V _{IH} WP# = 0V/V _{CC}	-	-	1	mA
Standby Current, (CMOS)	1Gb/2Gb/4Gb	I _{CC5}	CE# = V _{CC} -0.2 WP# = 0V/V _{CC}	-	10	50	uA
	8Gb			-	10	100	uA
Input Leakage Current		I _{LI}	V _{IN} =0 to V _{CC} (Max)	-	-	± 10	uA
Output Leakage Current		I _{LO}	V _{OUT} =0 to V _{CC} (Max)	-	-	± 10	uA
Input High Voltage		V _{IH}	-	V _{CC} x0.8	-	V _{CC} +0.3	
Input Low Voltage		V _{IL}	-	-0.3	-	V _{CC} x0.2	
Output High Voltage		V _{OH}	I _{OH} = -400uA	2.4	-	-	
Output Low Voltage		V _{OL}	I _{OL} = -100uA			0.4	
Output Low Current (R/B#)		I _{OL} (R/B#)	V _{OL} = 0.1V	8	10	-	mA

Table 8.1 : (3.3V) DC and Operating Characteristics

Parameter	Value
	2.7V ≤ V _{CC} ≤ 3.6V
Input Pulse Levels	0 V to V _{CC}
Input Rise and Fall Times	5 ns
Input and Output Timing Levels	V _{CC} /s
Output Load (2.7V – 3.6V)	1 TTL GATE and CL= 50 pF

Table 8.2 : (3.3V) AC Test Conditions

NOTE :

These parameters are verified device characterization and are not 100% tested.

Parameter		Symbol	Test Conditions	1.7V ~ 1.95V			Units
				Min	Typ	Max	
Power-On-Reset Current		I _{CC0}	FFh command input after power on	-		50 per device	mA
Operating Current	Read	I _{CC1}	t _{RC} =t _{RC(min)} CE# = V _{IL} , I _{OUT} =0mA	-	10	20	mA
	Program	I _{CC2}	Normal	-	-	20	mA
			Cache	-	-	30	mA
Erase		I _{CC3}		-	10	20	mA
Standby Current, (TTL)		I _{CC4}	CE# = V _{IH} WP# = 0V/V _{CC}	-	-	1	mA
Standby Current, (CMOS)	1Gb/2Gb/4Gb	I _{CC5}	CE# = V _{CC} -0.2 WP# = 0V/V _{CC}	-	10	50	uA
	8Gb			-	10	100	uA
Input Leakage Current		I _{LI}	V _{IN} =0 to V _{CC} (Max)	-	-	± 10	uA
Output Leakage Current		I _{LO}	V _{OUT} =0 to V _{CC} (Max)	-	-	± 10	uA
Input High Voltage		V _{IH}	-	V _{CC} x0.8	-	V _{CC} +0.3	
Input Low Voltage		V _{IL}	-	-0.3	-	V _{CC} x0.2	
Output High Voltage		V _{OH}	I _{OH} = -400uA	V _{CC} -0.1	-	-	
Output Low Voltage		V _{OL}	I _{OL} = -100uA			0.1	
Output Low Current (R/B#)		I _{OL} (R/B#)	V _{OL} = 0.1V	3	4	-	mA

Table 9.1 : (1.8V) DC and Operating Characteristics

Parameter	Value
	1.7V ≤ V _{CC} ≤ 1.95V
Input Pulse Levels	0 V to V _{CC}
Input Rise and Fall Times	5 ns
Input and Output Timing Levels	V _{CC} /s
Output Load (2.7V – 3.6V)	1 TTL GATE and CL= 30 pF

Table 9.2 : (1.8V) AC Test Conditions

NOTE :

These parameters are verified device characterization and are not 100% tested.

Item	Symbol	Test Condition	Min	Max	Unit
Input Capacitance	C_{IN}	$V_{IN} = 0V$	-	10	pF
Input / Output Capacitance	C_{IO}	$V_{IL} = 0V$	-	10	pF

Table 10 : Pin Capacitance (TA = 25 °C, f = 1.0 MHz)

NOTE :

For the stacked devices version, the Input is 10 pF x [number of stacked chips] and the Input/Output is 10 pF x [number of stacked chips]

Parameter	Symbol	Min	Typ	Max	Unit
Program Time	tPROG	-	300	700	Us
Dummy Busy Time for Cache Program(2Gb/4Gb)	tCBSY	-	3	700	us
Dummy Busy Time for the Lock or Lock-tight Block (2Gb/4Gb)	tLBSY	-	5	10	us
Number of partial Program Cycles in the same page	Nop	-	-	4(1Gb)	Cycle
Read Cache busy time	tCBSYR	-	3	tR	us
Cache Program short busy time	tCBSYW	-	5	tPROG	us
Block Erase Time (1Gb)	tBERS	-	3	10	ms
Block Erase Time (2Gb/4Gb)	tBERS	-	3.5	10	ms

Table 11 : Program / Erase Characteristics

NOTE :

Typical value is measured at Vcc=3.3V, TA=25?(3.3V Device) or Vcc=1.8 V, TA=25°C (1.8V Device) Not 100% tested.

Parameter	Symbol	3.3V		1.8V		Unit
		Min	Max	Min	Max	
ALE to RE# delay	t _{AR}	10		10	-	ns
ALE hold time	t _{ALH}	5		10	-	ns
ALE setup time	t _{ALS}	12		25	-	ns
Address to data loading time	t _{ADL}	70		100	-	ns
CE# Access Time	t _{CEA} *4		25	-	45	ns
CE# low to RE# low	t _{CR}	10		10	-	ns
CE# hold time	t _{CH}	5		10	-	ns
CE# high to output High-Z (1Gb/2Gb) CE# high to output High-Z (4Gb)	t _{CHZ}		50 30	-	50 30	ns
CLE hold time	t _{CLH}	5		10	-	ns
CLE to RE# delay	t _{CLR}	10		10	-	ns
CLE setup time	t _{CLS}	12		25	-	ns
CE# high to output hold	t _{COH} *3	15		15	-	ns
CE# high to ALE or CLE don't care	t _{CSD}	10		10	-	ns
CE# setup time	t _{CS}	20		35	-	ns
Data hold time	t _{DH}	5		10	-	ns
Data setup time	t _{DS}	12		20	-	ns
Data transfer from cell to register (1Gb)	t _R		25	-	25	μs
Data transfer from cell to register (2/4Gb)	t _R		30	-	30	μs
Output High-Z to RE# low	t _{IR}	0		0	-	ns
Read cycle time	t _{RC}	25		45	-	ns
RE# access time	t _{REA}		20	-	30	ns
RE# high hold time	t _{REH}	10		15	-	ns
RE# high to output hold	t _{RHOH} *3	15		15	-	ns
RE# high to WE# low	t _{RHW}	100		100	-	ns
RE# high to output High-Z	t _{RHZ}		100	-	100	ns
RE# low to output hold	t _{RLOH}	5		-	-	ns
RE# pulse width	t _{RP}	12		25	-	ns
Ready to RE# low	t _{RR}	20		20	-	ns
Device resetting time (Read/Program/Erase)	t _{RST}	-	5/10/500 *2	-	5/10/500 *2	μs
WE# high to busy	t _{WB}		100	-	100	ns
Write cycle time	t _{WC}	25		45	-	ns
WE# high hold time	t _{WH}	10		15	-	ns
WE# high to RE# low	t _{WHR}	60		60	-	ns
WE# high to RE# low for Random data out	t _{WHR2}	200		200	-	ns
WE# pulse width	t _{WP}	12		25	-	ns
Write protect time	t _{WW}	100		100	-	ns

Table 12 : AC Timing Characteristics

NOTES :

1. The time to Ready depends on the value of the pull-up resistor tied to R/B# pin.
2. If Reset Command (FFh) is written at Ready state, the device goes into Busy for maximum 5 μs.
3. CE# low to high or RE# low to high can be at different times and produce three cases. Depending on which signal comes high first, either t_{COH} or t_{RHOH} will be met.
4. During data output, t_{CEA} depends partly on t_{CR} (CE# low to RE# low). If t_{CR} exceeds the minimum value specified, then the maximum time for t_{CEA} may also be exceeded (t_{CEA} = t_{CR} + t_{REA}).

ID	Page Program	Block Erase	Read	Read Cache	Coding
0	Pass / Fail	Pass / Fail	NA	NA	Pass : '0' Fail : '1'
1	NA	NA	NA	NA	-
2	NA	NA	NA	NA	-
3	NA	NA	NA	NA	-
4	NA	NA	NA	NA	-
5	Ready / Busy	Ready / Busy	Ready / Busy	P/E/R Controller Bit	Active : '0' Idle : '1'
6	Ready / Busy	Ready / Busy	Ready / Busy	Ready / Busy	Busy : '0' Ready : '1'
7	Write Protect	Write Protect	Write Protect	NA	Protected : '0' Not Protected : '1'

Table 13 : Status Register Coding

Device Identifier bytes	Description
1st	Manufacturer Code
2nd	Device Identifier
3rd	Internal chip number, cell type, etc.
4th	Page Size, Block Size, Spare Size, Organization
5th (2/4Gb)	ECC, Multiplane information

Table 14 : Device Identifier Coding

Density	Org	Vcc	1 st	2 nd	3 rd	4 th	5 th
1Gb	x8	3.3V	ADh	F1h	80h	1Dh	
2Gb				DAh	90h	95h	46h
4Gb				DCh	90h	95h	56h
8Gb				D3h	D1h	95h	5Ah
4Gb		1.8V		ACh	90h	15h	56h
8Gb				A3h	D1h	15h	5Ah

Table 15 : Read ID Data Table

bytes	O/M	Description
Revision information and features block		
0-3	M	Parameter page signature bytes 0: 4Fh, "O" bytes 1: 4Eh, "N" bytes 2: 46h, "F" bytes 3: 49h, "I"
4-5	M	Revision number 2-15 Reserved (0) 1 1 = supports ONFI version 1.0 0 Reserved (0)
6-7	M	Features supported 5-15 Reserved (0) 4 1 = supports odd to even page Copyback 3 1 = supports interleaved operations 2 1 = supports non-sequential page programming 1 1 = supports multiple LUN operations 0 1 = supports 16-bit data bus width
8-9	M	Optional commands supported 6-15 Reserved (0) 5 1 = supports Read Unique ID 4 1 = supports Copyback 3 1 = supports Read Status Enhanced 2 1 = supports Get Features and Set Features 1 1 = supports Read Cache commands 0 1 = supports Page Cache Program command
10-31		Reserved (0)
Manufacturer Information Block		
32-43	M	Device manufacturer (12 ASCII characters) : 4Gb/8Gb: 48h,59h,4Eh,49h,58h,20h,20h,20h,20h,20h,20h,20h
44-63	M	Device model (20 ASCII characters) 4Gb/8Gb: 48h,32h,37h,53h,34h,47h,38h,46h,32h,45h, 44h,41h,2Dh,42h,43h,20h,20h,20h,20h,20h
64	M	JEDEC manufacturer ID
65-66	O	Date code
67-79		Reserved (0)
Memory Organization Block		
80-83	M	Number of data bytes per page
84-85	M	Number of spare bytes per page
86-89	M	Number of data bytes per partial page
90-91	M	Number of spare bytes per partial page 10h

bytes	O/M	Description
92-95	M	Number of pages per block
96-99	M	Number of blocks per logical unit (LUN)
100	M	Number of logical units (LUNs) 8Gb : num_units = 0x1
101	M	Number of address cycles 4-7 Column address cycles 0-3 Row address cycles
102	M	Number of bits per cell
103-104	M	Bad blocks maximum per LUN
105-106	M	Block endurance
107	M	Guaranteed valid blocks at beginning of target
108-109	M	Block endurance for guaranteed valid blocks
110	M	Number of programs per page
111	M	Partial programming attributes 5-7 Reserved 4 1 = partial page layout is partial page data followed by partial page spare 1-3 Reserved 0 1 = partial page programming has constraints
112	M	Number of bits ECC correctability
113	M	Number of interleaved address bits 4-7 Reserved (0) 0-3 Number of interleaved address bits
114	O	Interleaved operation attributes 4-7 Reserved (0) 3 Address restrictions for program cache 2 1 = program cache supported 1 1 = no block address restrictions 0 Overlapped / concurrent interleaving support
115-127		Reserved (0)
Electrical Parameters Block		
128	M	I/O pin capacitance
129-130	M	Timing mode support 6-15 Reserved (0) 5 1 = supports timing mode 5 4 1 = supports timing mode 4 3 1 = supports timing mode 3 2 1 = supports timing mode 2 1 1 = supports timing mode 1 0 1 = supports timing mode 0, shall be 1
131-132	O	Program cache timing mode support 6-15 Reserved (0) 5 1 = supports timing mode 5 4 1 = supports timing mode 4 3 1 = supports timing mode 3 2 1 = supports timing mode 2 1 1 = supports timing mode 1 0 1 = supports timing mode 0
133-134	M	tPROG Maximum page program time (μ s)
135-136	M	tBERS Maximum block erase time (μ s)
137-138	M	tR Maximum page read time (μ s)
139-140	M	tCCS Minimum Change Column setup time (ns)
141-163		Reserved (0)

bytes	O/M	Description
Vendor Block		
164-165	M	Vendor specific Revision number
166-253		Vendor specific
254-255	M	Integrity CRC
Redundant Parameter Pages		
256-511	M	Value of bytes 0-255
512-767	M	Value of bytes 0-255
768+	O	Additional redundant parameter pages

Table 16: Parameter Page Description

NOTE :

1. "O" Stands for Optional, "M" for Mandatory.
2. ONFI Table may not be not matched with product. If you need ONFI function, please contact **Alliance** sales.
3. 8Gb SLC NAND page parameter values are configured based on value of 4Gb SLC NAND value.

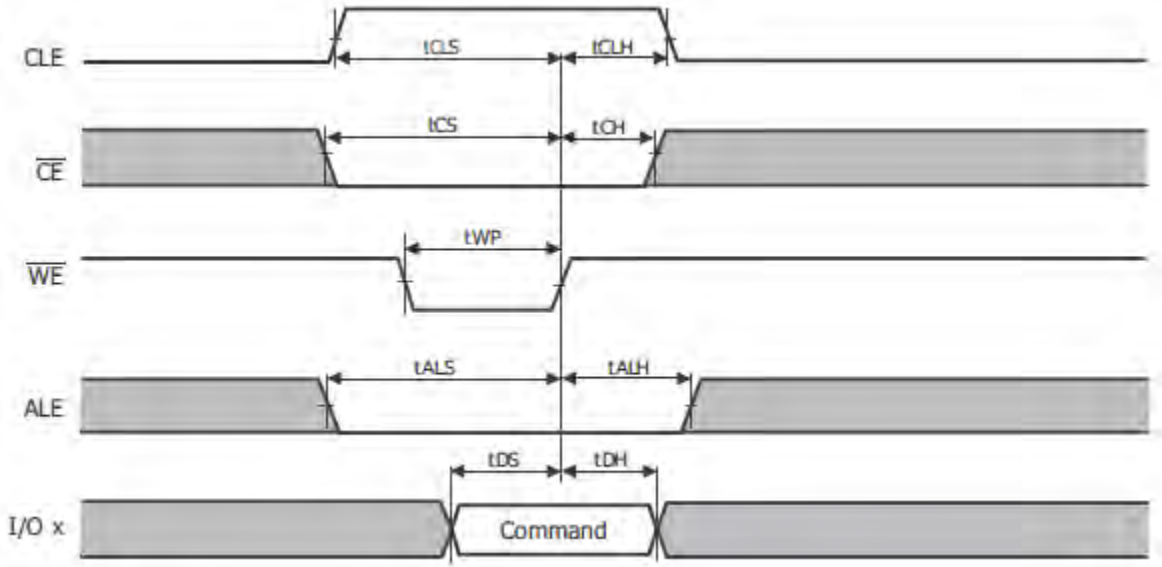


Figure 5 : Command Latch Cycle

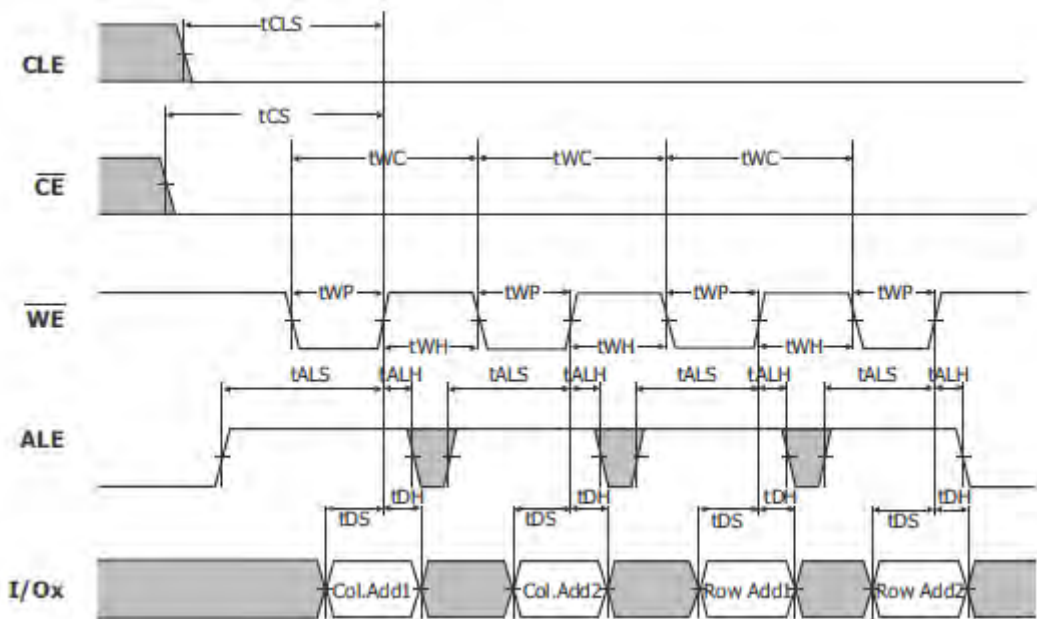


Figure 6 : Address Latch Cycle

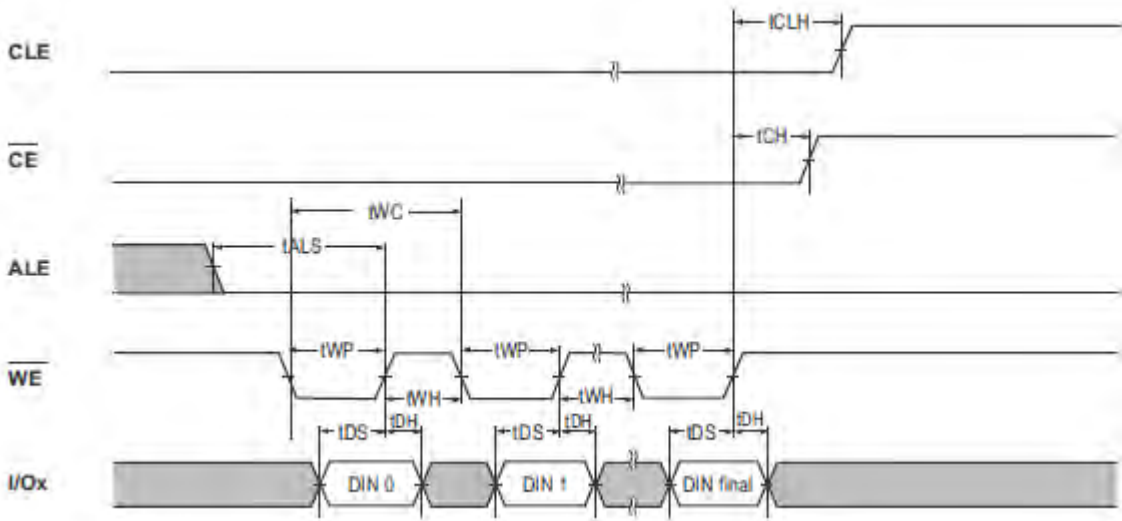
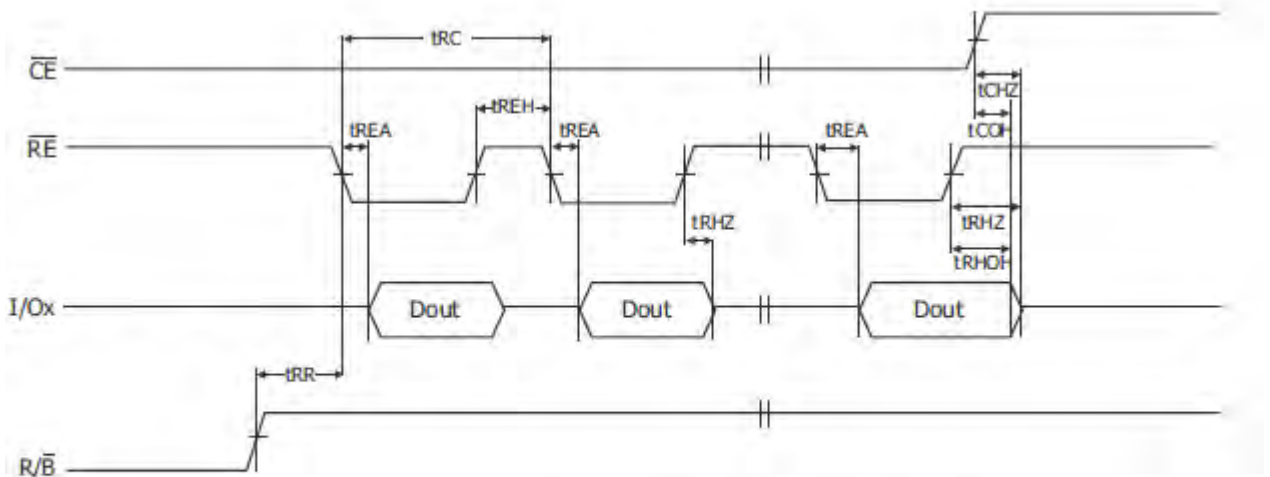
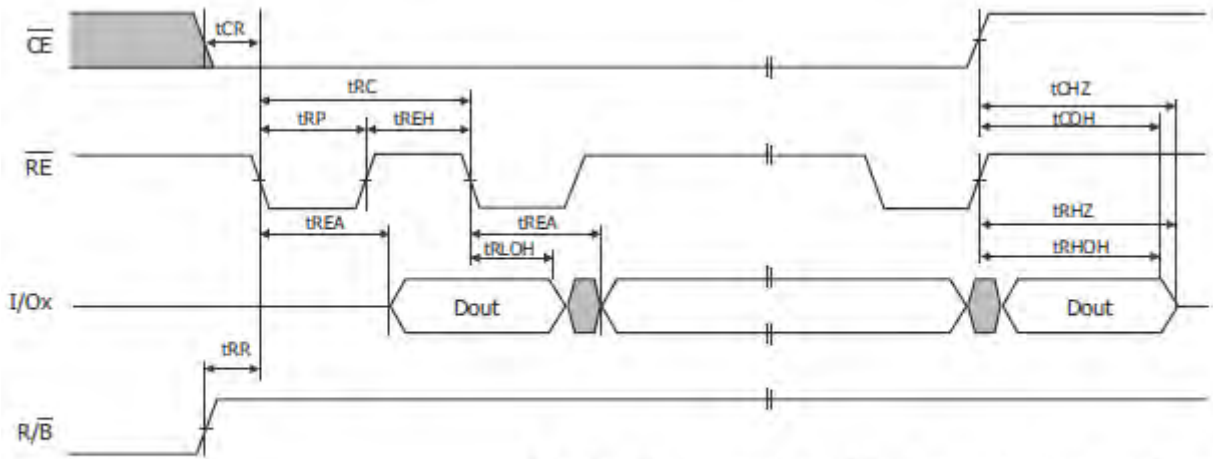


Figure 7 : Input Data Latch Cycle



Notes: Transition is measured at +/-200mV from steady state voltage with load.
 This parameter is sampled and not 100% tested. (tCHZ, tRHZ)
 tRHOH starts to be valid when frequency is lower than 33 MHz.
 tRLOH is valid when frequency is higher than 33 MHz.

Figure 8 : Sequential Out Cycle after Read (CLE=L, WE=H, ALE=L)



Notes: Transition is measured at +/-200mV from steady state voltage with load.
This parameter is sampled and not 100% tested. (tCHZ, tRHZ)
tRLOH is valid when frequency is higher than 33MHz.
tRHOH starts to be valid when frequency is lower than 33MHz.

Figure 9 : Sequential Out Cycle after Read

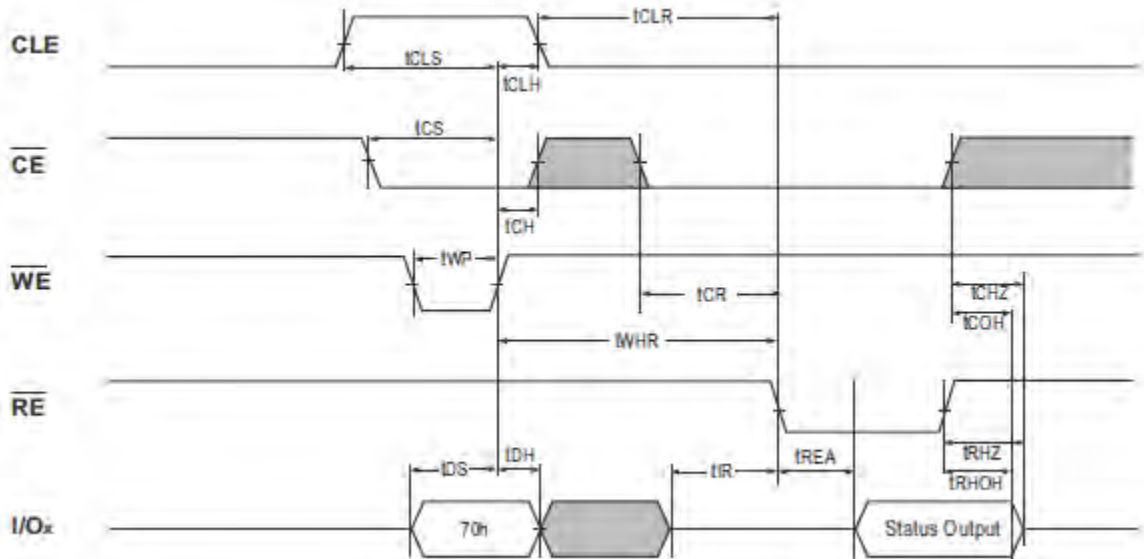


Figure 10 : Status Read Cycle

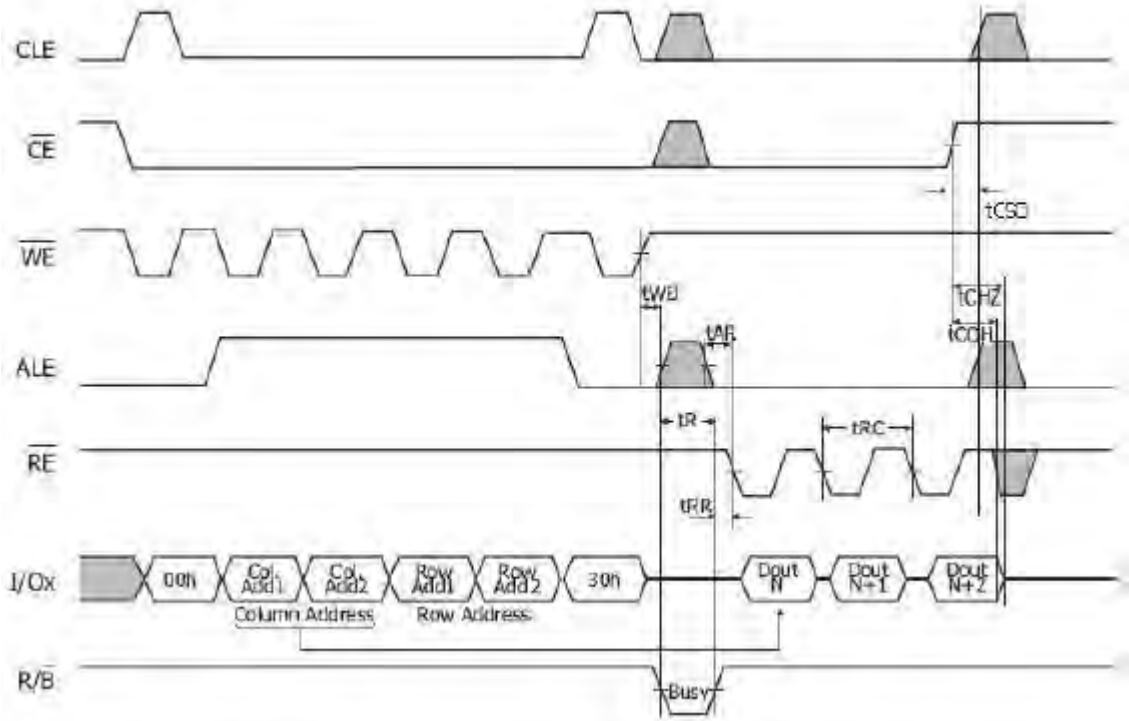


Figure 11 : Read Operation (Read One Page)

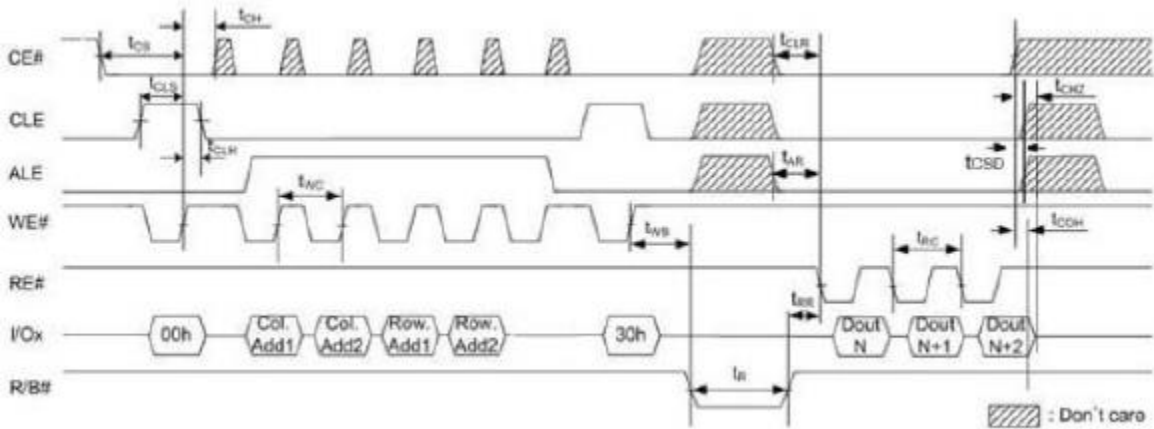


Figure 12 : Read Operation (Intercepted by CE#)

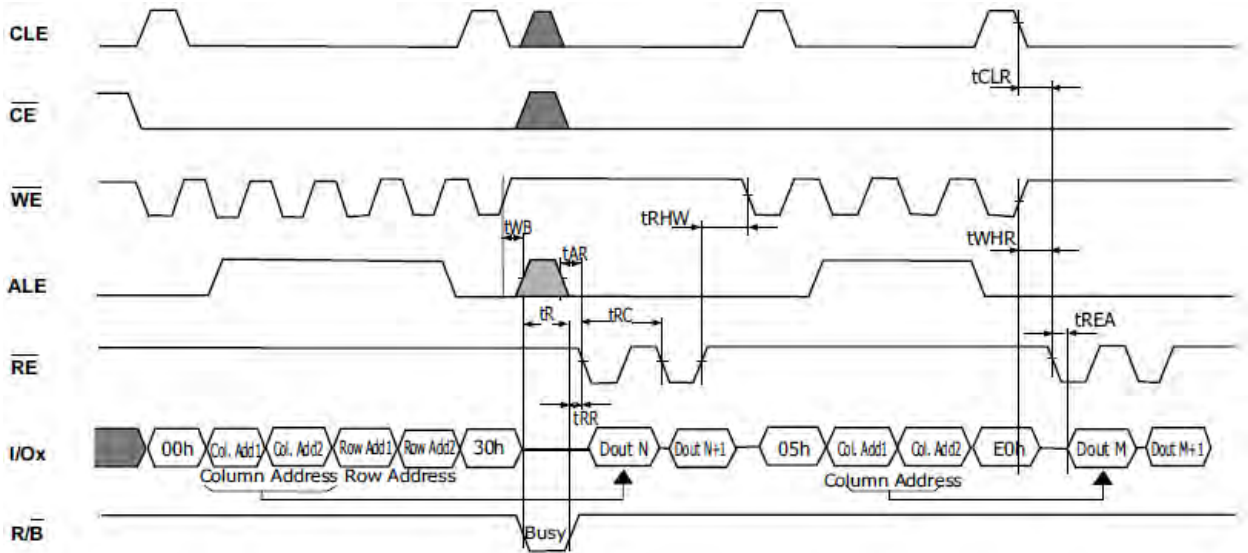


Figure 13 : Random Data Output

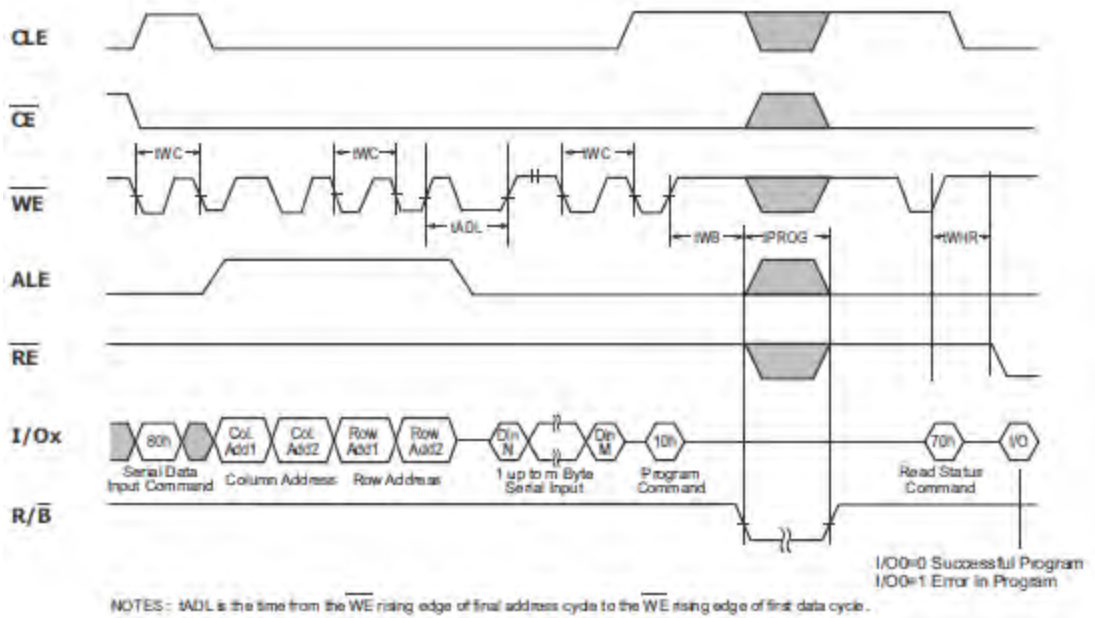


Figure 14 : Page Program Operation

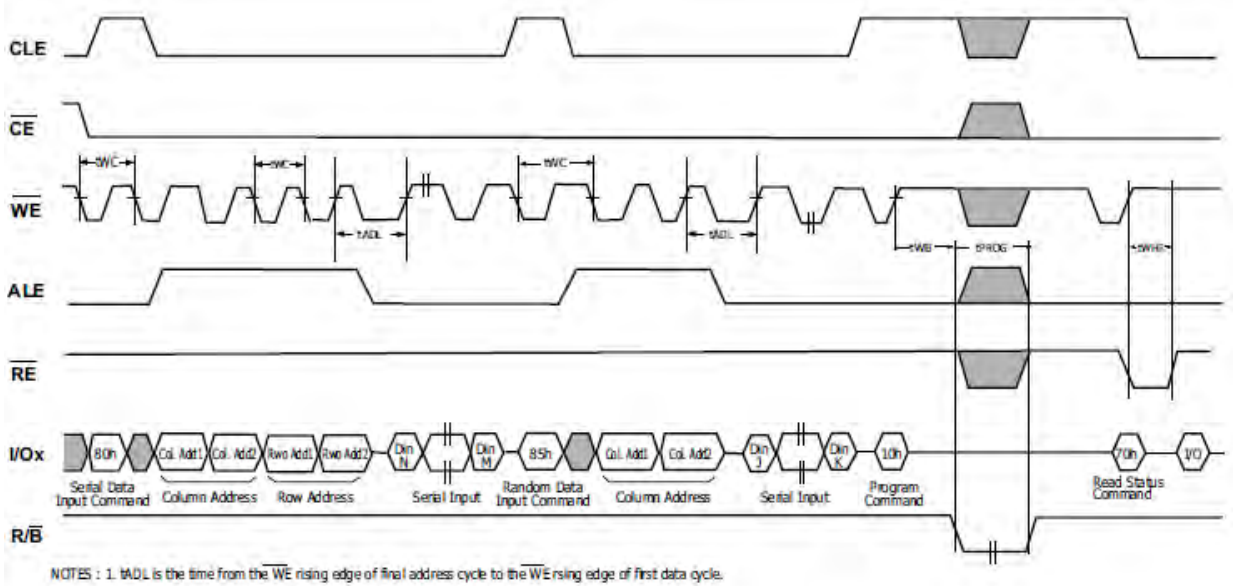


Figure 15 : Random Data In

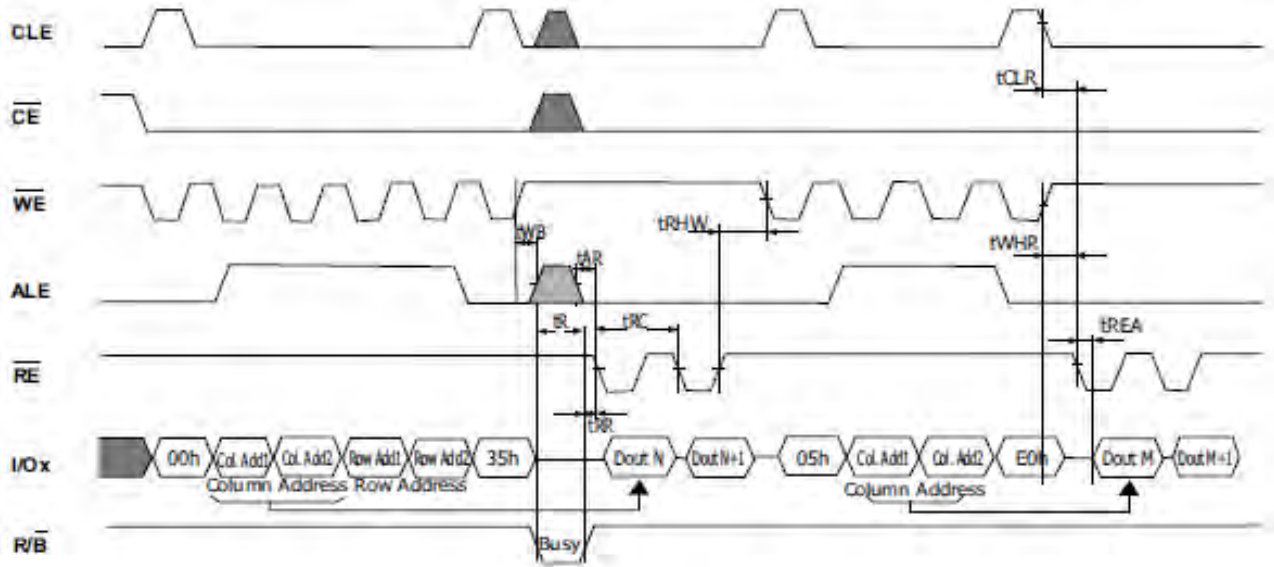
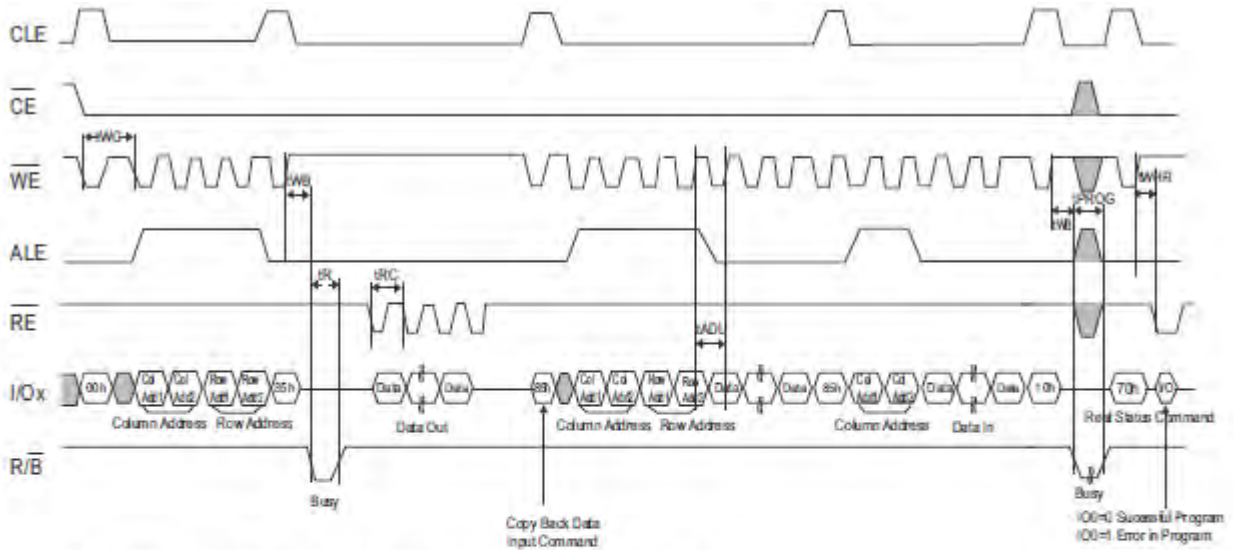


Figure 16 : Copy Back Read with Optional Data Readout



NOTES: 1. tADL is the time from the \overline{WE} rising edge of final address cycle to the \overline{WE} rising edge of first data cycle.

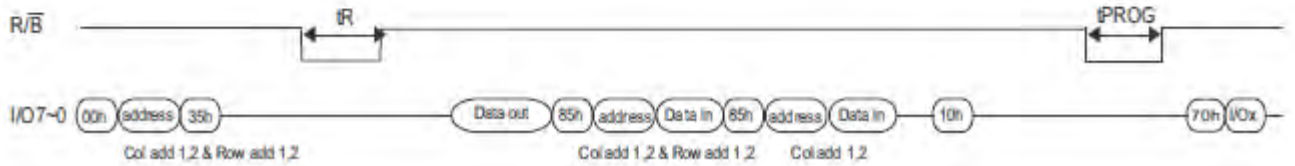


Figure 17 : Copy Back Program with Random Data Input

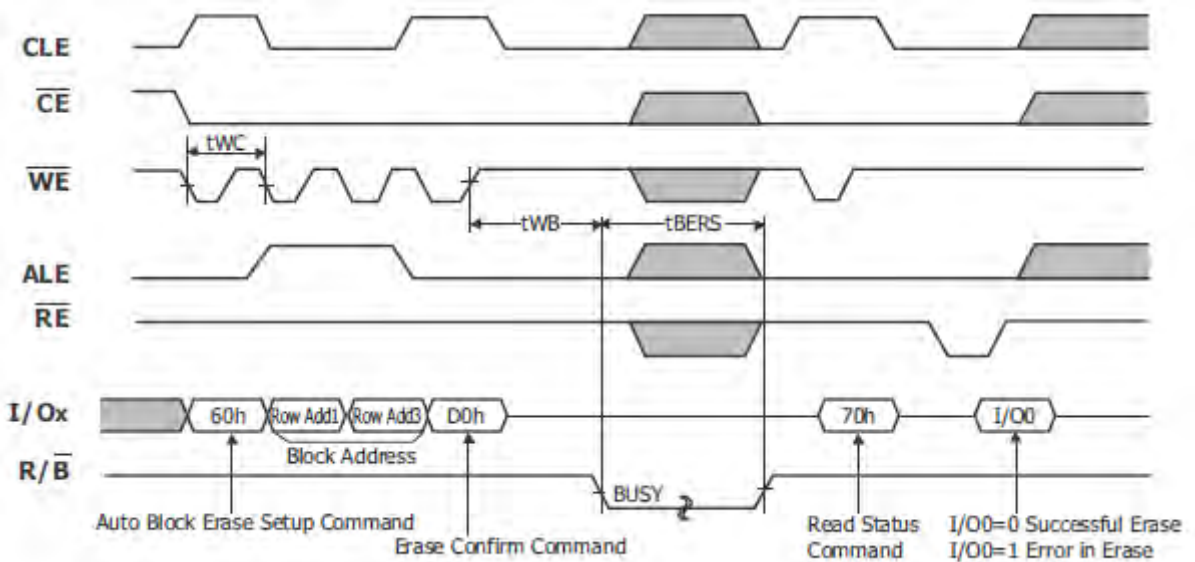


Figure 18 : Block Erase Operation (Erase One Block)

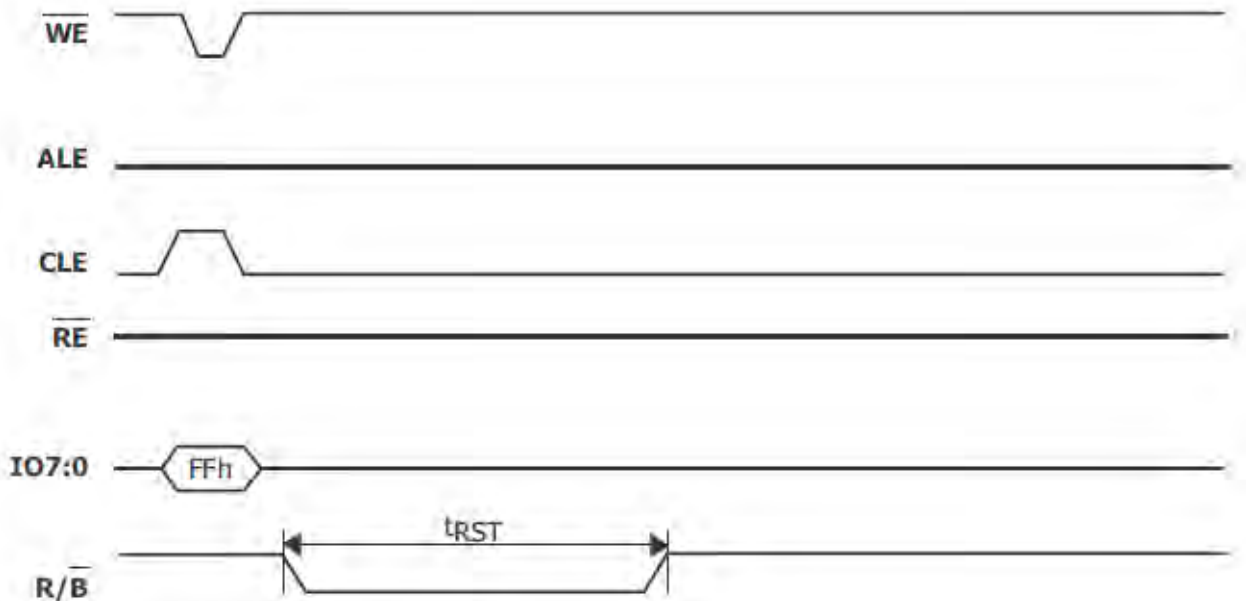


Figure 19 : Reset Operation timing

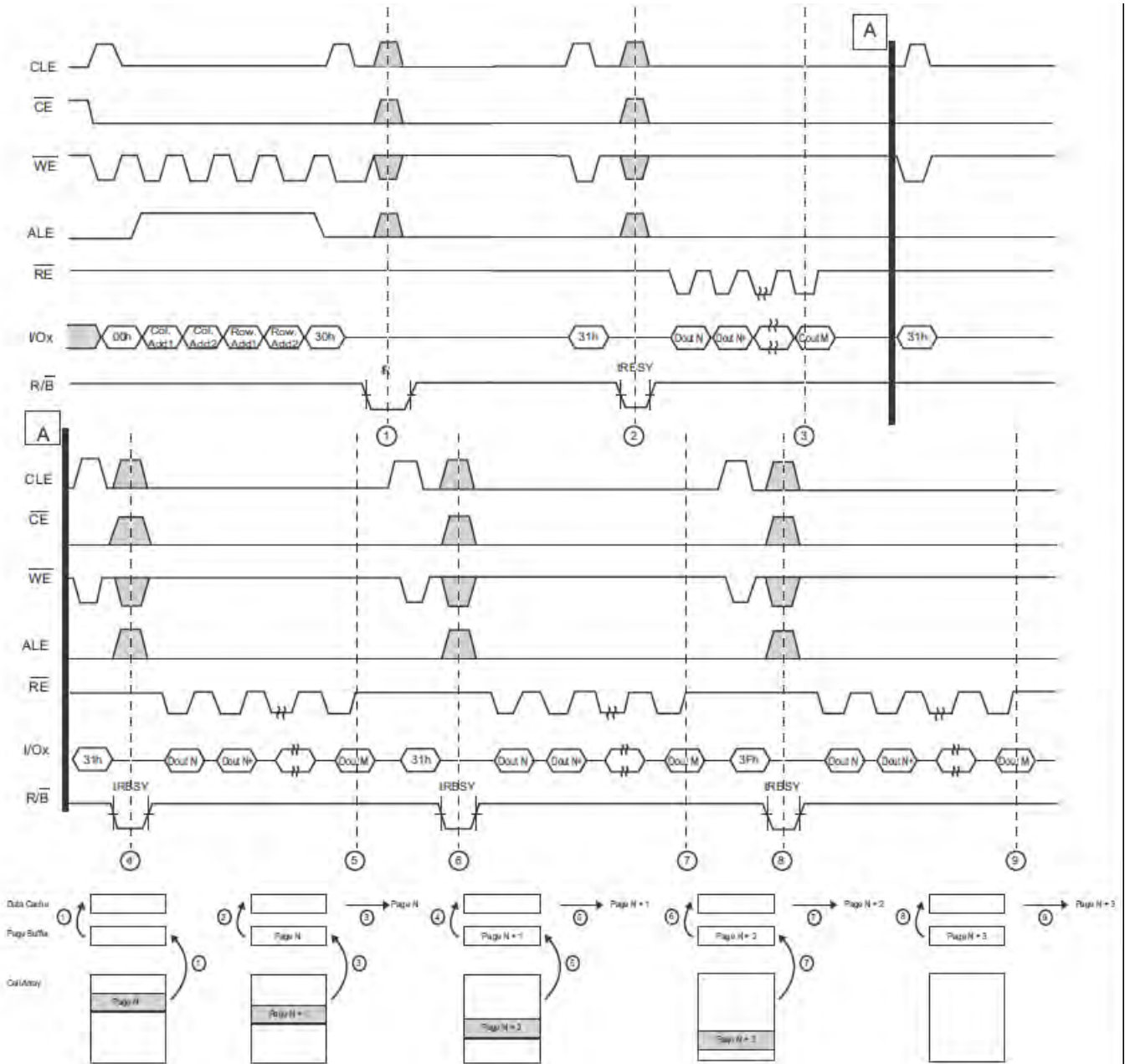


Figure 20 : Read Operation with Read Cache

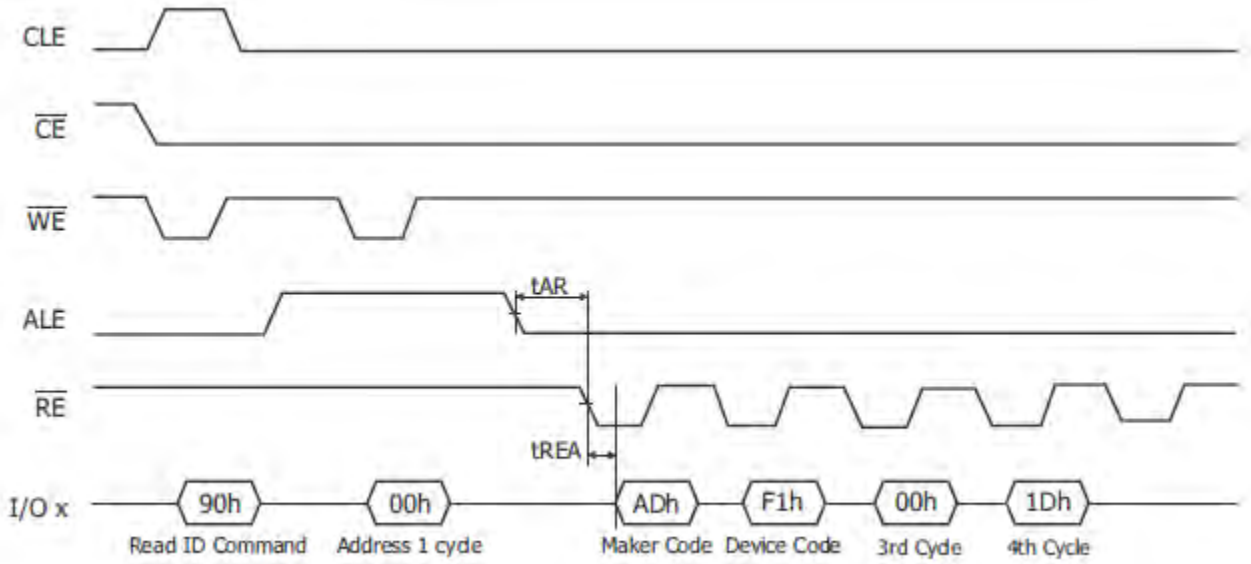


Figure 21 : Read ID Operation

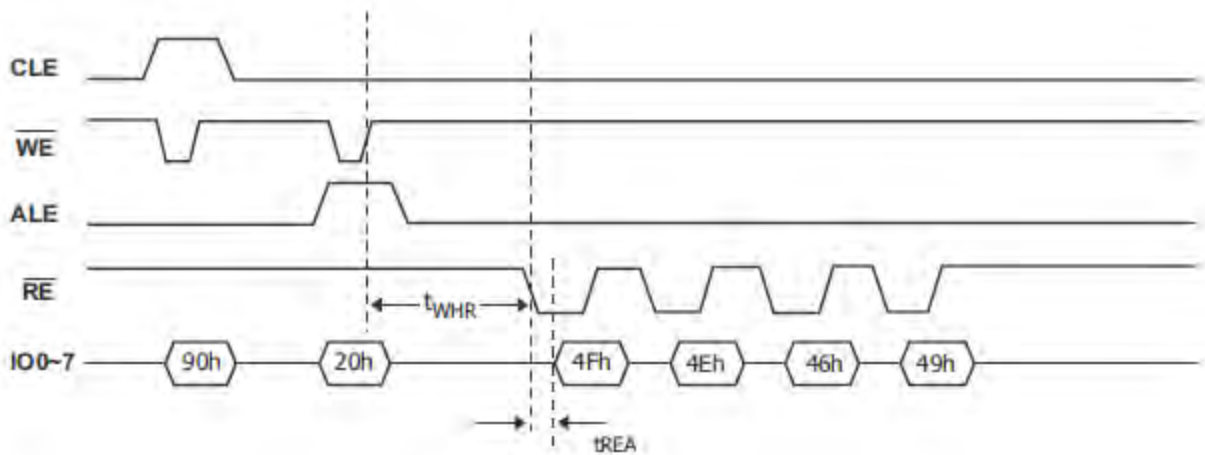


Figure 22 : ONFI signature timing diagram

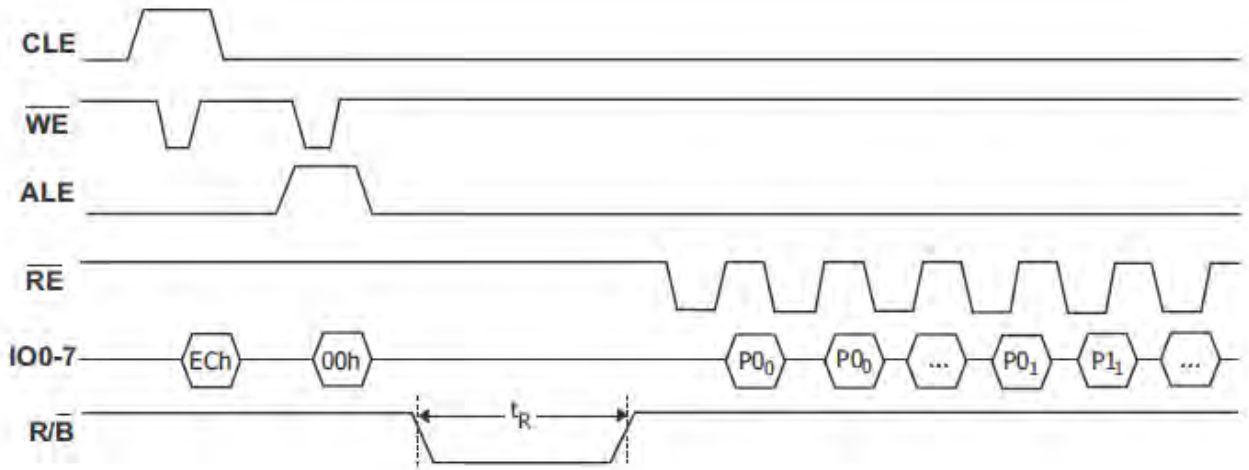


Figure 23 : Read Parameter Page timings

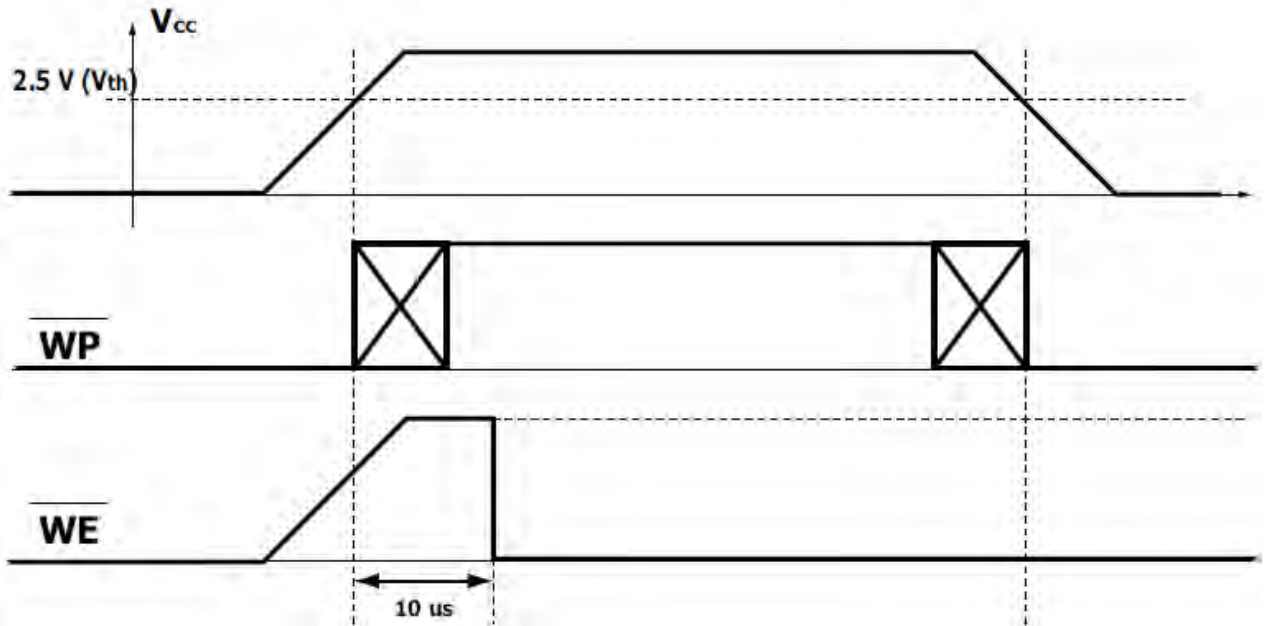


Figure 24 : Power on and Data Protection timings

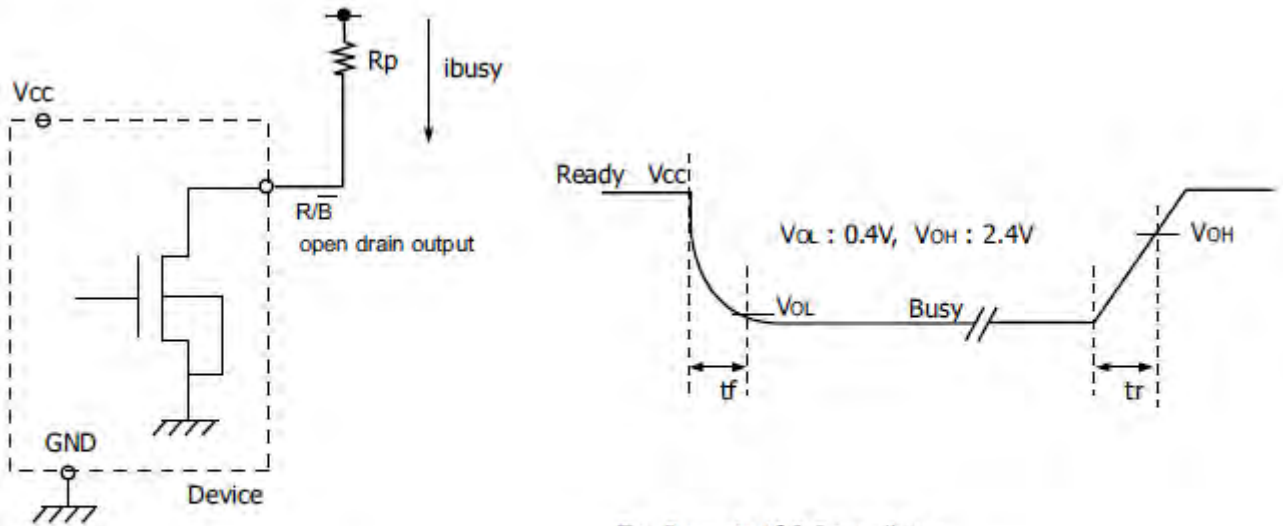
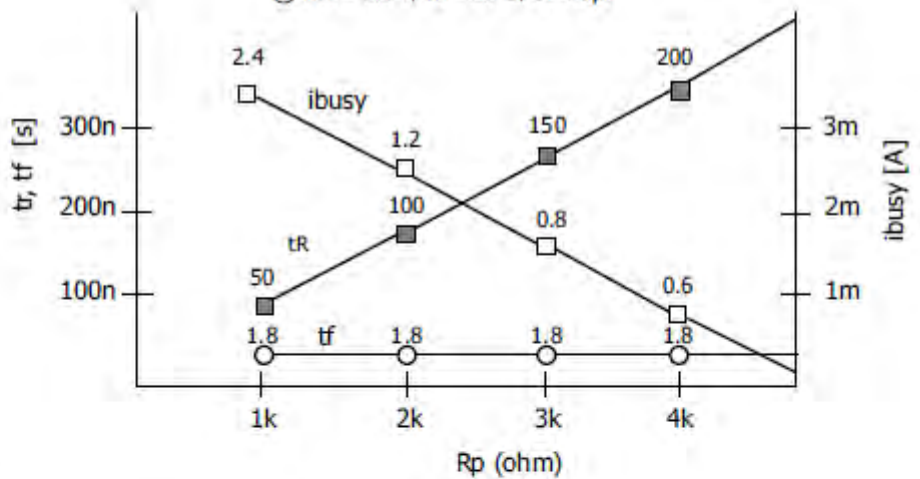


Fig. Rp vs tr, tf & Rp vs ibusy

@ Vcc = 3.3 V, Ta = 25°C, CL = 50pF



Rp value guidance

$$R_p(\min) = \frac{V_{cc}(\text{Max.}) - V_{OL}(\text{Max.})}{I_{OL} + \sum I_L} = \frac{3.2V}{8mA + \sum I_L}$$

where IL is the sum of the input currents of all devices tied to the R/B pin.

Rp(max) is determined by maximum permissible limit of tr

Figure 25 : Ready/Busy Pin Electrical Specifications

Bad Block Management

Devices with Bad Blocks have the same quality level and the same AC and DC characteristics as devices where all the blocks are valid. A Bad Block does not affect the performance of valid blocks because it is isolated from the bit line and common source line by a select transistor. The devices are supplied with all the locations inside valid blocks erased (FFh).

The Bad Block Information is written prior to shipping. Any block where the 1st bytes in the spare area of the 1st or 2nd page (if the 1st page is Bad) does not contain FFh is a Bad Block. The Bad Block Information must be read before any erase is attempted as the Bad Block Information may be erased. For the system to be able to recognize the Bad Blocks based on the original information it is recommended to create a Bad Block table following the flowchart shown in Figure 26. The 1st block, which is placed on 00h block address is guaranteed to be a valid block.

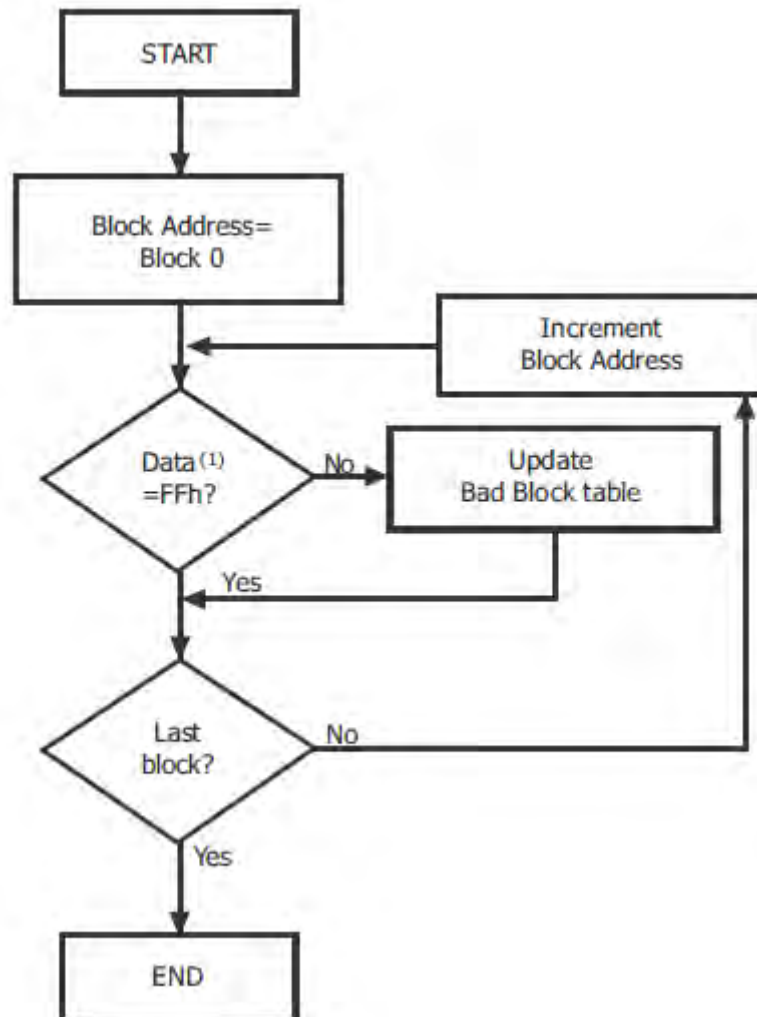


Figure 26 : Bad Block Management Flowchart

NOTE :

Make sure that either the 1st or 2nd page of every initial block has not FFh data at the column address of 2048.

Bad Block Replacement

Over the lifetime of the device additional Bad Blocks may develop. In this case the block has to be replaced by copying the data to a valid block. These additional Bad Blocks can be identified as attempts to program or erase them will give errors in the Status Register.

The failure of a page program operation does not affect the data in other pages in the same block, the block can be replaced by re-programming the current data and copying the rest of the replaced block to an available valid block.

Refer to Table 17 and Figure 27 for the recommended procedure to follow if an error occurs during an operation.

Operation	Recommended Procedure
Erase	Block Replacement
Program	Block Replacement
Read	ECC (4bit / 512 + 16 bytes)

Table 17 : Block Failure

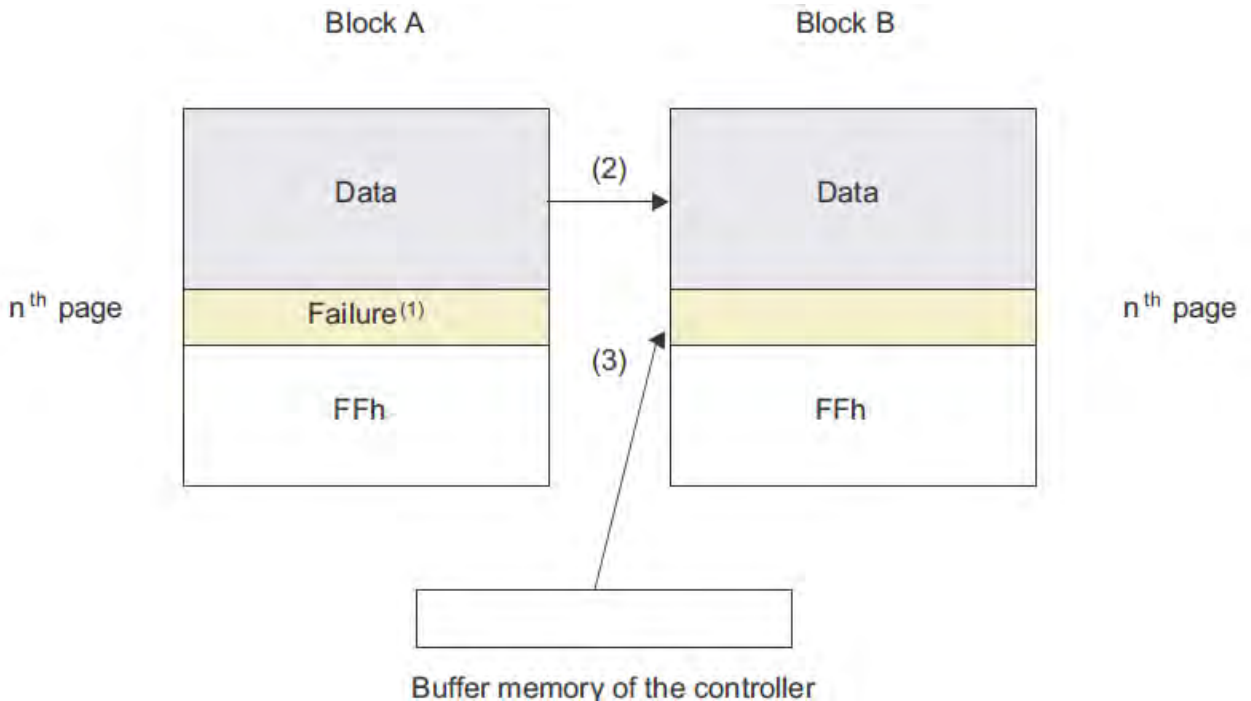


Figure 27 : Bad Block Replacement

NOTES :

1. An error occurs on the Block A during program or erase operation.
2. Data in Block A is copied to same location in Block B which is valid block.
3. Nth data of block A which is in controller buffer memory is copied into Nth page of Block B.
4. Bad block table should be updated to prevent from erasing or programming Block A.

Write Protect Operation

The Erase and Program Operations are automatically reset when WP goes Low ($t_{WW} = 100\text{ns}$, min). The operations are enabled and disabled as follows (Figure 28~31)

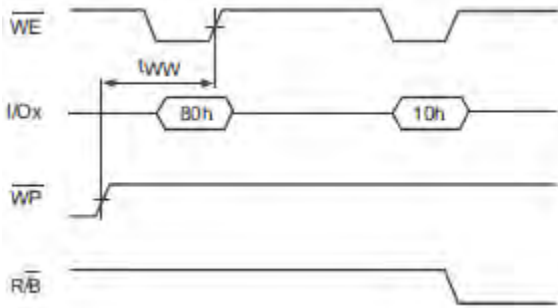


Figure 28 : Enable Programming

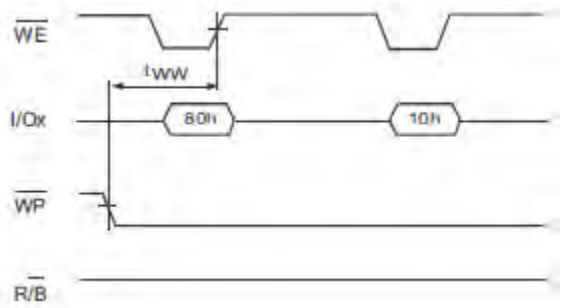


Figure 29 : Disable Programming

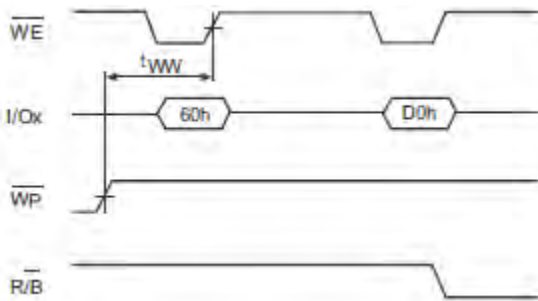


Figure 30 : Enable Erasing

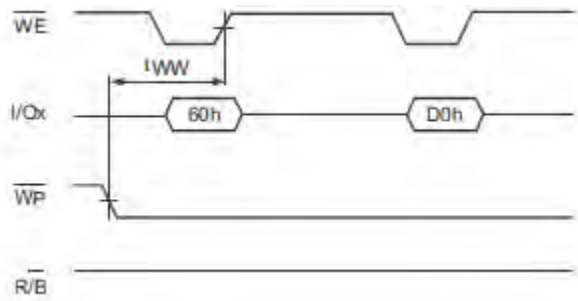


Figure 31 : Disable Erasing

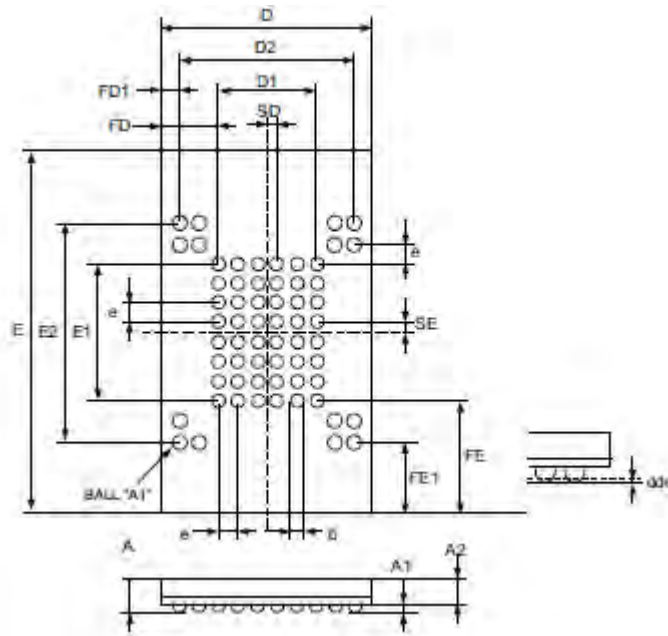


Figure 32. 63-ball FBGA - 9 x 11 ball array 0.8mm pitch, Package Outline

Symbol	Millimeters		
	Min	Typ	Max
A	0.80	0.90	1.00
A1	0.25	0.30	0.35
A2	0.55	0.60	0.65
B	0.40	0.45	0.50
D	8.9	9.00	9.10
D1		4.00	
D2		7.20	
E	10.90	11.00	11.10
E1		5.60	
E2		8.80	
e		0.80	
FD		2.50	
FD1		0.90	
FE		2.70	
FE1		1.10	
SD		0.40	
SE		0.40	

Table 18. 63-ball FBGA - 9 x 11 ball array 0.8mm pitch, Package Mechanical Data