

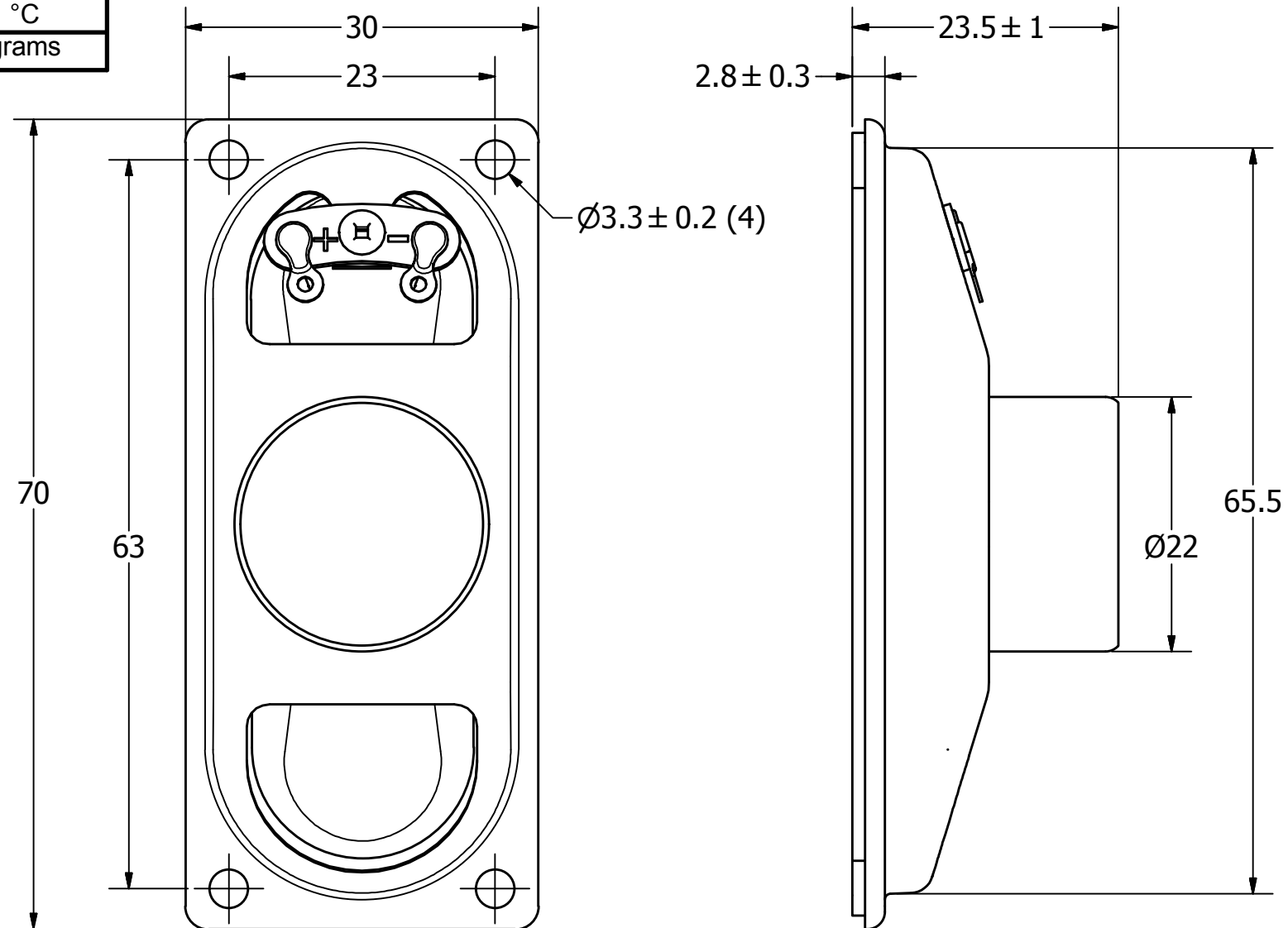
SPECIFICATIONS

| PARAMETERS | VALUES | UNITS |
|--|-------------|-------|
| RATED INPUT POWER | 2 | W |
| MAX INPUT POWER | 5 | W |
| IMPEDANCE | 8 ± 15% | OHM |
| OUTPUT SPL @ 1W/0.5M (AT 0.8, 1.0, 1.2, 1.5kHz) | 85 ± 3 | dB |
| DISTORTION (MAX.) | 5% | - |
| RESONANT FREQUENCY | 450 ± 20% | Hz |
| FREQUENCY RANGE | Fo ~ 20,000 | Hz |
| HOUSING MATERIAL | METAL | - |
| CONE MATERIAL | PAPER | - |
| MAGNET MATERIAL | Nd-Fe-B | - |
| OPERATING TEMPERATURE | -10 ~ +50 | °C |
| WEIGHT | 35 | grams |

THIS DOCUMENT CONTAINS DATA PROPRIETARY TO PROJECTS UNLIMITED, INC. ANY USE OR REPRODUCTION, IN ANY FORM, WITHOUT PRIOR WRITTEN PERMISSION OF PROJECTS UNLIMITED, INC. IS PROHIBITED.
©2003, Projects Unlimited Inc.

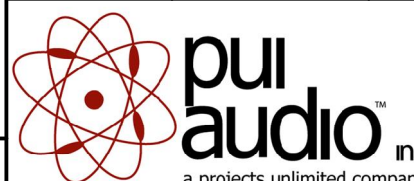
REVISION HISTORY

| LTR | DESCRIPTION | DATE | APPROVED |
|-----|--|-----------|----------|
| - | RELEASED FROM ENGINEERING | 6/20/2006 | |
| A | REVISED TO INVENTOR 3-D DRAWING TEMPLATE | 1/20/2009 | B.R. |
| B | UPDATE PARAMETERS AND DIMENSIONS | 5/25/2017 | M.L. |



NOTES:

1. ALL DIMENSIONS ARE IN MILLIMETERS.
2. SPECIFICATIONS SUBJECT TO CHANGE OR WITHDRAWL WITHOUT NOTICE.
3. THIS PART IS RoHS 2011/65/EU COMPLIANT.

| | | | | | | | | |
|--|-------------------|--|-----------|--|-----------|-------------|-----------|------------|
| UNLESS OTHERWISE SPECIFIED: DIMENSIONS ARE IN MILLIMETERS, TOLERANCES ARE ± 0.5 AND ANGLES ARE $\pm 3^\circ$. | SIZE A3 | Designed by | Date | Checked by | Date | Approved by | Date | Drawn Date |
| | | J.D. | 6/20/2006 | E.P. | 6/20/2006 | B.R. | 6/20/2006 | 1/20/2009 |
| AS07008PO-2-R.idw | |  pui audio inc <small>a projects unlimited company</small> | | AS07008PO-2-R Speaker | | Edition | Sheet | |
| | | | | | | - | 1 / 1 | |