

Sales Outline DrawingRevision **C**

**May not be suitable for all medical and aerospace applications.
Specifications: Contact Mallory Sonalert to discuss your application.**

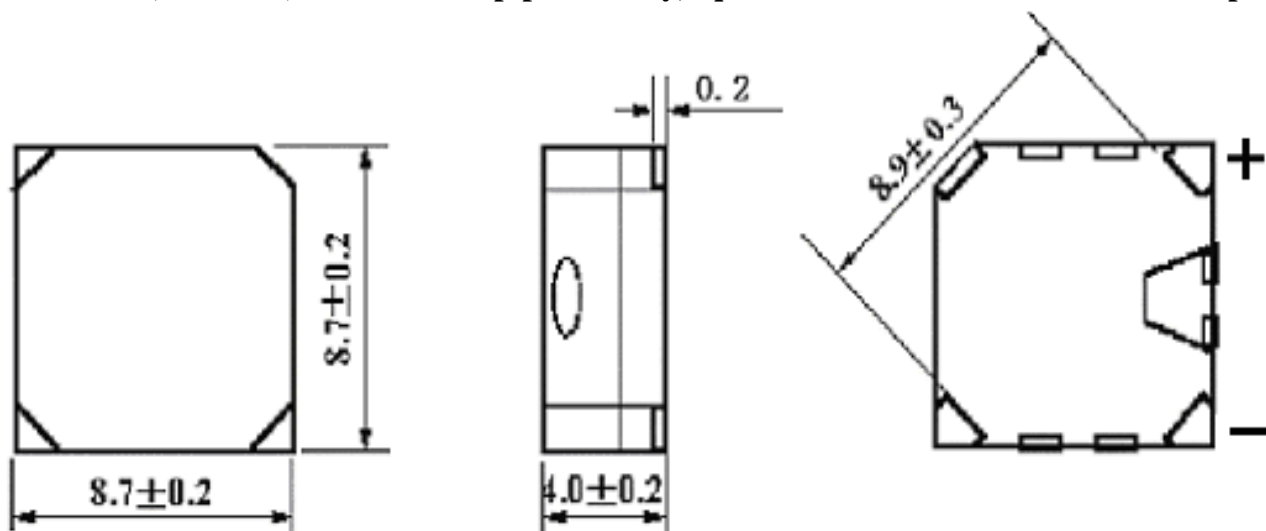
NO CIRCUITRY

Oscillation Frequency (Hz)	2731
Operating Voltage (Vp-p)	4.0 ~ 7.0
Rated Voltage (Vp-p)	5.0
Current Consumption Max. (mA)	80 at Rated Voltage
Sound Pressure Level (dB/min)	85 at 10cm at Rated Voltage
Coil Resistance (Ω)	32 ± 3
Operating Temperature ($^{\circ}\text{C}$)	-20 ~ +70
Storage Temperature ($^{\circ}\text{C}$)	-30 ~ +80
Mounting	SMD
Housing	LCP plastic resin (Color: Black)
Weight (Grams)	0.4
Condition by wave soldering ($^{\circ}\text{C}$)	250 ± 5 / within 5 sec
Condition by hand soldering ($^{\circ}\text{C}$)	350 ± 20 / within 5 sec
Options	For other options contact factory

Dimensions: (units: mm)

PS: Vp-p = 1/2duty, square wave

ROHS Compliant

**Packaging:**

Parts are supplied as Cut Tape.

Units do not come with wash label and are not appropriate for aqueous wash.