

**May not be suitable for all medical and aerospace applications.
Specifications: Contact Mallory Sonalert to discuss your application.**

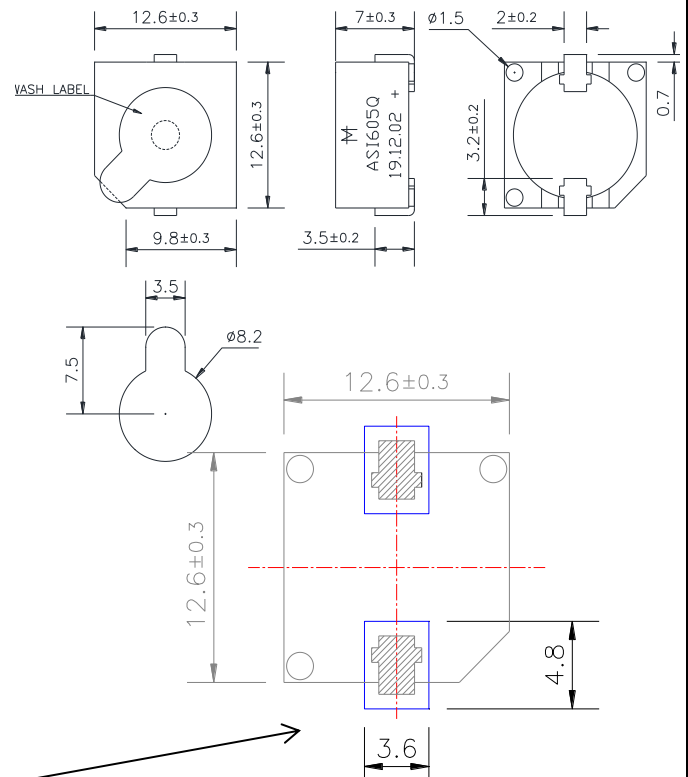
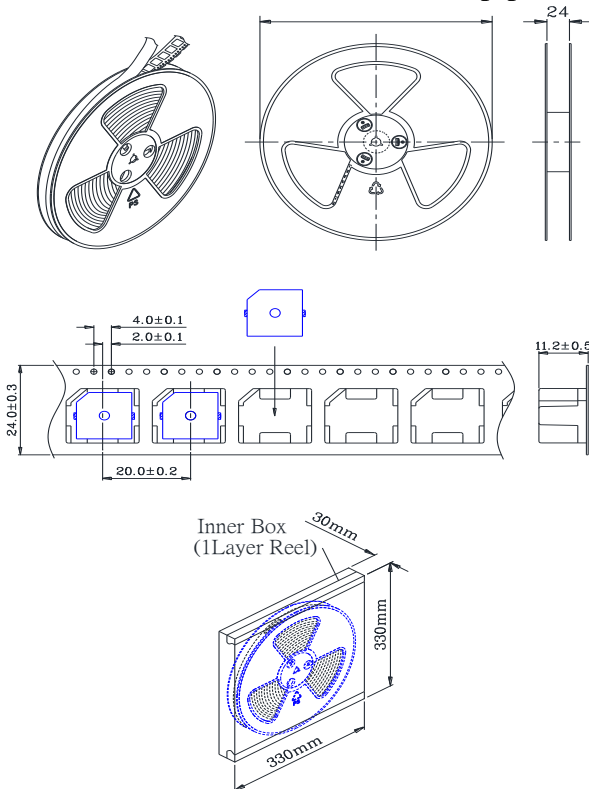
NO CIRCUITRY

| | |
|------------------------------------|-----------------------------------|
| Oscillation Frequency (Hz) | 2400 ± 400 |
| Operating Voltage (Vp-p/max) | 4.0 ~ 7.0 |
| Rated Voltage (Vp-p) | 5.0 |
| Current Consumption Max. (mA) | 50 at Rated Voltage |
| Sound Pressure Level Min. (dB/min) | 87 at 10cm at Rated Voltage |
| Coil Resistance (Ω) | 45 ± 8 |
| Operating Temperature (°C) | -40 ~ +85 |
| Storage Temperature (°C) | -40 ~ +85 |
| Housing | PPO plastic resin (Color: Gray) |
| Type of Connection | SMD |
| Weight (Grams) | 2.2 |
| Condition by reflow soldering (°C) | 250 ±5 / within 5 sec |
| Condition by hand soldering (°C) | 350 ±20 / within 5 sec |
| Options | For other options contact factory |

Dimensions: (units: mm)

Vp-p = 1/2duty, square wave

ROHS Compliant



Recommended PCB Layout:

Packaging:

Parts are supplied on reels (300 pcs per tape and reel).
Units come with wash label and are appropriate for aqueous wash.