

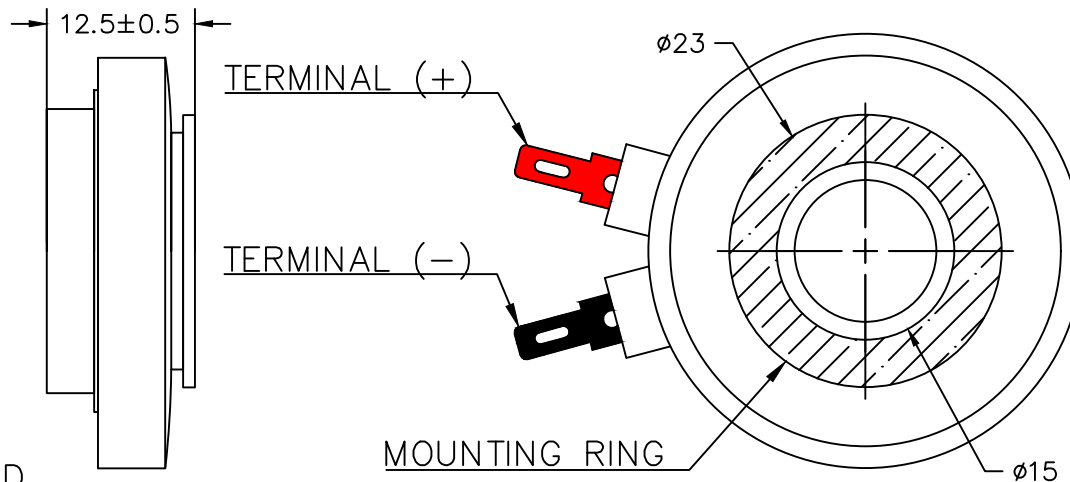
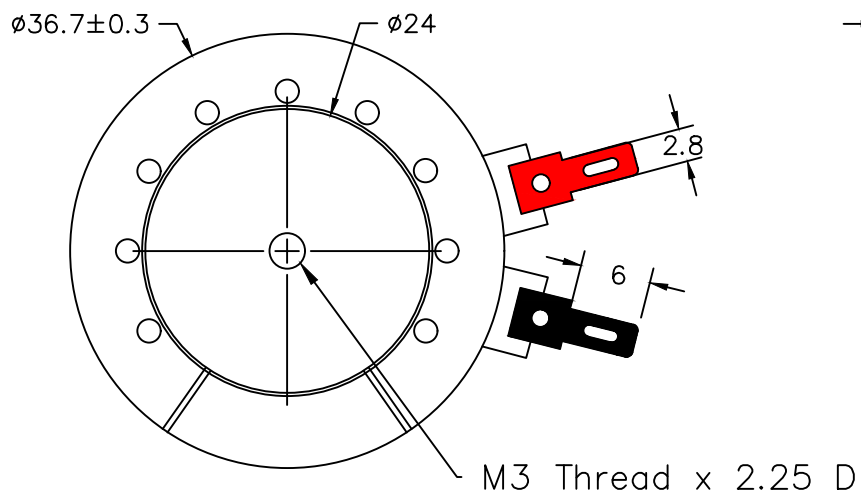
THIS DOCUMENT CONTAINS DATA PROPRIETARY TO PROJECTS UNLIMITED, INC. ANY USE OR REPRODUCTION, IN ANY FORM, WITHOUT PRIOR WRITTEN PERMISSION OF PROJECTS UNLIMITED, INC. IS PROHIBITED.

© 2005, Projects Unlimited Inc.

SPECIFICATIONS

| PARAMETERS | VALUES | UNITS |
|---|-------------|-------|
| RATED INPUT POWER | 3 | W |
| MAX INPUT POWER | 5 | W |
| IMPEDANCE | 4±15% | OHM |
| VOICE COIL DIAMETER | 19 | MM |
| AVG. SPL 1W/0.1M ON 4MM THICK PLA PANEL (AT 0.5, 1.0, 2.0, 5.0 kHz) | 88 | dBa |
| RESONANT FREQUENCY | 400±20% | Hz |
| FREQUENCY RANGE | Fo ~ 10,500 | Hz |
| MAGNET MATERIAL | NdFeB | - |
| OPERATING TEMPERATURE | -20 ~ +60 | °C |
| WEIGHT | 20 | grams |


| REVISIONS | | | |
|-----------|---------------------------|---------|----------|
| LTR | DESCRIPTION | DATE | APPROVED |
| - | RELEASED FROM ENGINEERING | 4/14/16 | |
| A | ADDED M3 THREAD | 7/16/19 | M.V. |



NOTES:

- ALL DIMENSIONS ARE IN MILLIMETERS.
- SPECIFICATION SUBJECT TO CHANGE OR WITHDRAWAL WITHOUT NOTICE.
- THIS PART IS RoHS 2011/65/EU COMPLIANT.

FILE NAME
ASX03604-R.DWG

| | | | |
|--|--|--|--|
| <small>UNLESS OTHERWISE SPECIFIED: ALL PURCHASES ARE SUBJECT TO THE PUI AUDIO TERMS AND CONDITIONS SALE FOUND AT http://www.puiaudio.com/pdf/terms_conditions.pdf (paper copy available upon request). DIMENSIONS ARE IN MILLIMETERS. TOLERANCES ARE ±0.5 AND ANGLES ARE ±3°.</small> | |  <p>pui audio inc a projects unlimited company</p> | <p>3541 Stop Eight Road Dayton, Ohio 45414</p> |
| <p>APPROVALS</p> <p>DRAWN <i>M.V.</i> DATE <i>4/16</i></p> <p>CHECKED <i>M.V.</i> DATE <i>4/16</i></p> <p>APPROVED <i>B.R.</i> DATE <i>4/16</i></p> | | | |
| <p>SCALE: N.T.S.</p> | | <p>SIZE A</p> | <p>SHEET 1 OF 1</p> |