

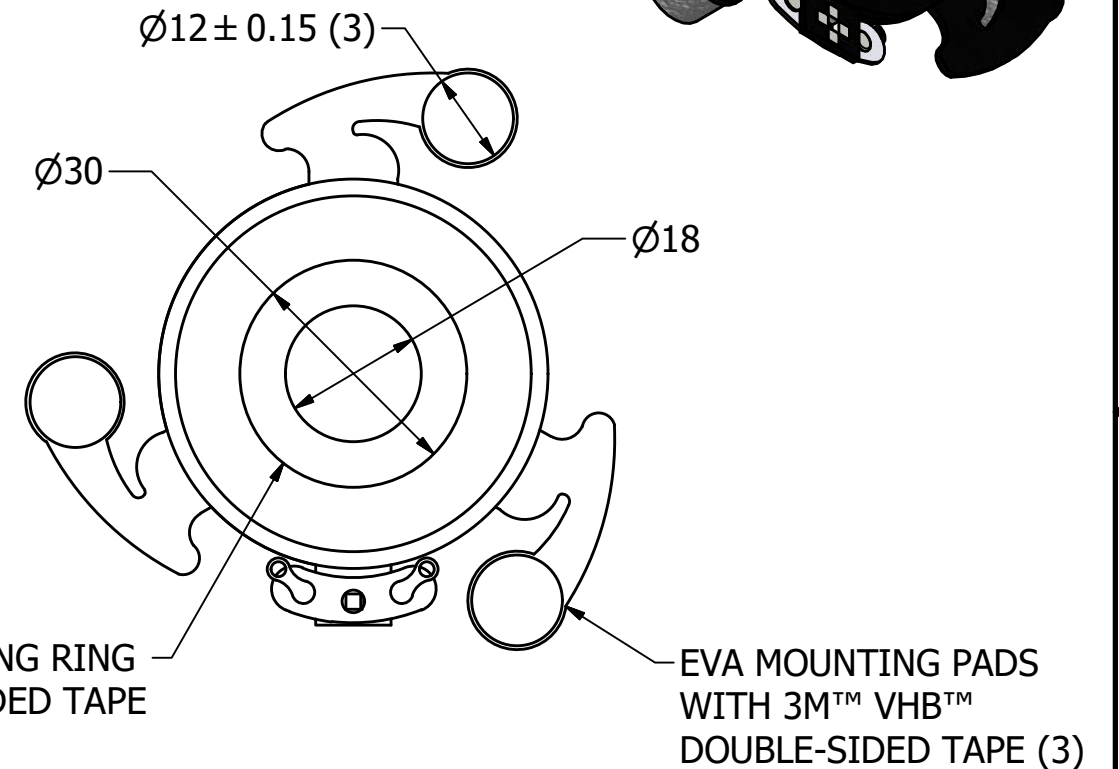
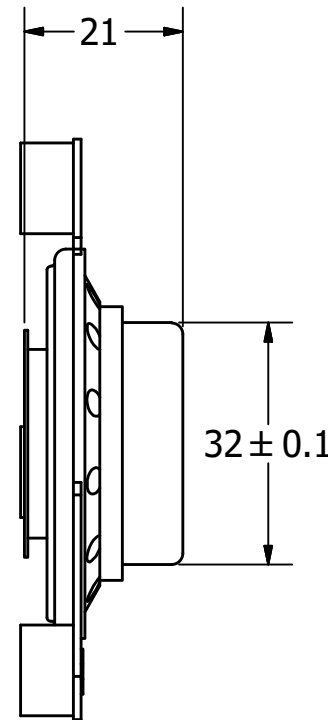
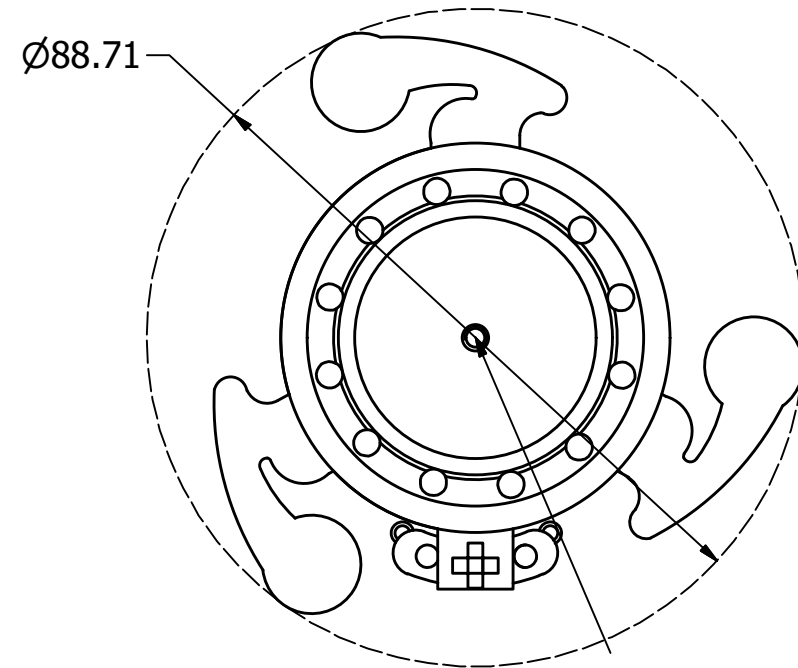
# SPECIFICATIONS

PARAMETERS	VALUES	UNITS
RATED INPUT POWER	10	W
MAX INPUT POWER	20	W
IMPEDANCE	4± 15%	OHM
RESONANT FREQUENCY	220± 20%	Hz
AVG. SPL 2.83V/0.1M ON 4MM THICK PLA PANEL (AVG 0.5, 1.0, 2.0, AND 5.0 kHz)	106	dBA
FREQUENCY RANGE	80~ 10,500	Hz
MAGNET MATERIAL	NdFeB	-
OPERATING TEMPERATURE	-20~ +60	°C
WEIGHT	74	grams

THIS DOCUMENT CONTAINS DATA PROPRIETARY TO PROJECTS UNLIMITED, INC. ANY USE OR REPRODUCTION, IN ANY FORM, WITHOUT PRIOR WRITTEN PERMISSION OF PROJECTS UNLIMITED, INC. IS PROHIBITED.  
©2003, Projects Unlimited Inc.

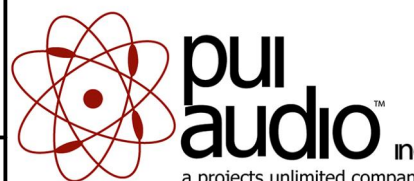
# REVISION HISTORY

LTR	DESCRIPTION	DATE	APPROVED
-	RELEASED FROM ENGINEERING	2/20/17	



## NOTES:

1. ALL DIMENSIONS ARE IN MILLIMETERS.
2. SPECIFICATIONS SUBJECT TO CHANGE OR WITHDRAWAL WITHOUT NOTICE.
3. THIS PART IS RoHS 2011/65/EU COMPLIANT.
4. FOR APPLICATIONS THAT ARE TO BE SUBJECTED TO EXTERNAL FORCE, SHOCK, OR VIBRATION, PUI AUDIO RECOMMENDS SOLID MECHANICAL REINFORCEMENT TO ENSURE RIGID COUPLING BEYOND THAT PROVIDED BY THE 3M™ VHB™ F-9473PC DOUBLE-SIDED TAPE.

UNLESS OTHERWISE SPECIFIED: DIMENSIONS ARE IN MILLIMETERS, TOLERANCES ARE ±0.5 AND ANGLES ARE ±3°.	SIZE <b>A3</b>	Designed by	Date	Checked by	Date	Approved by	Date	Drawn Date				
		M.V.	2/20/2017	M.V.	2/20/2017	B.R.	2/20/2017	2/20/2017				
ASX08804-TP-R.idw		 <b>pui audio</b> a projects unlimited company		<b>ASX08804-TP-R</b>			Tripod Exciter <table border="1" style="float: right;"> <tr> <td>Edition</td> <td>Sheet</td> </tr> <tr> <td>-</td> <td>1 / 1</td> </tr> </table>		Edition	Sheet	-	1 / 1
Edition	Sheet											
-	1 / 1											