



Data Sheet

AT-1127-ST-HT-R

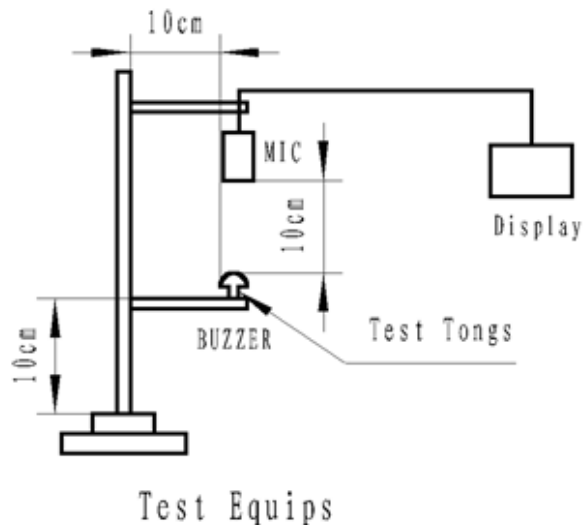
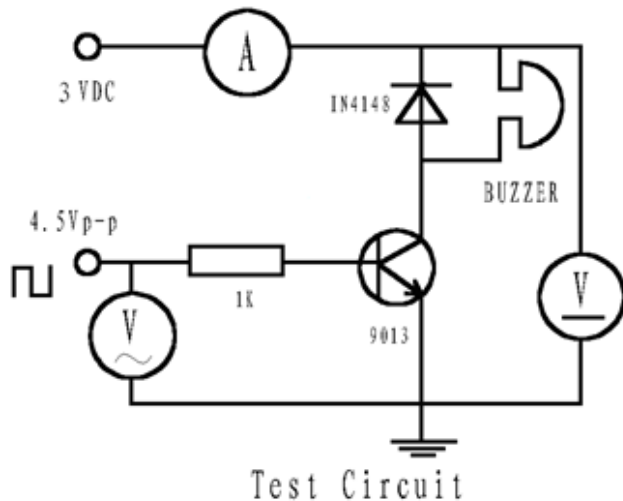
PUI Audio's **High-Temp** line of products is designed with ultra-wide operating temperatures. The **AT-1127-ST-HT-R** is designed for high output at 2700 Hz in a small package.

- Only weighs 0.7 grams
- 85 dB output with 3V0-p and 2700 Hz input
- Wide -40°C to +85°C operating temperature range

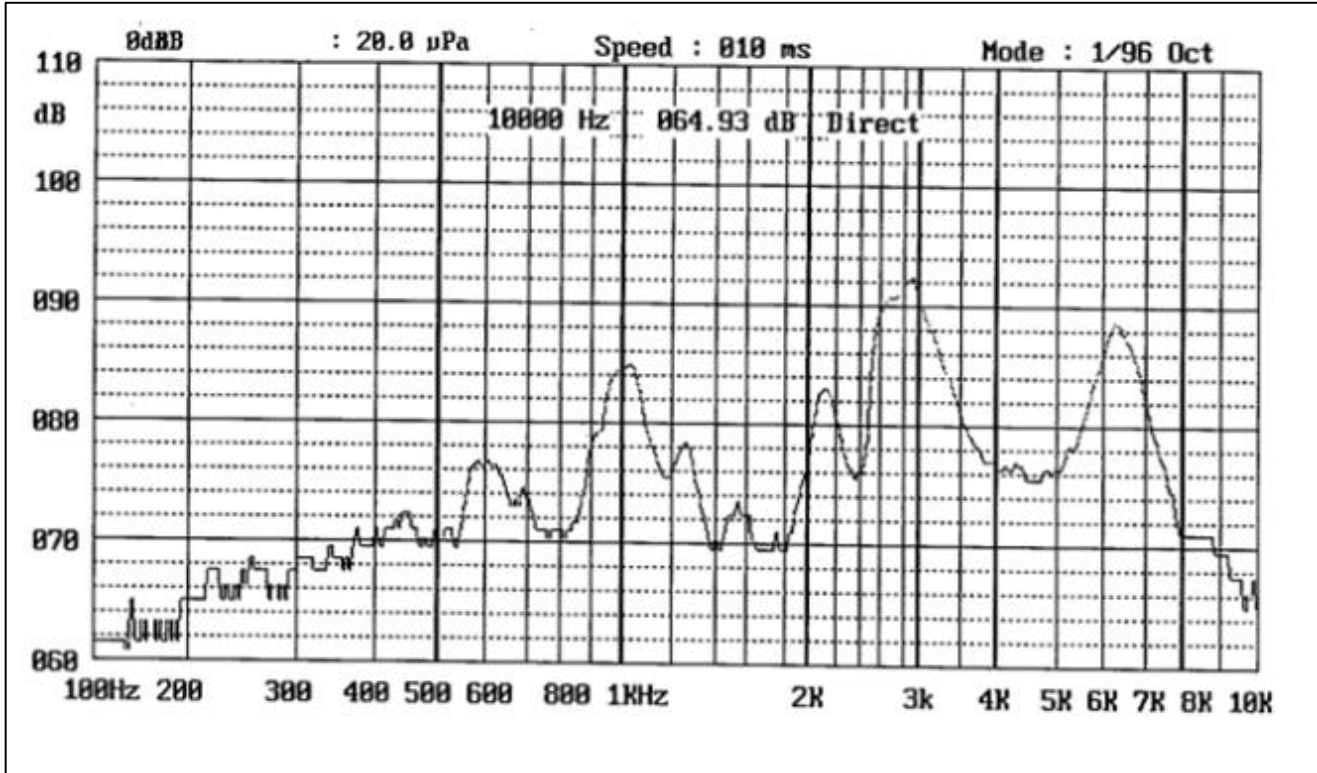
**Specifications**

Parameters	Values	Units
Rated Voltage	3	V0-p
Operating Voltage Range	2 ~ 5	V0-p
Current Draw at Rated Voltage	≤80	mA
Coil Resistance	16±3	Ohms
Minimum SPL @ 10cm	≥85	dBA
Resonant Frequency	2700 ±500	Hz
Housing Material	PPO	-
Weight	0.7	Grams
Acceptable Soldering Methods	Hand Solder, Wave Solder	See below for soldering information
Environmental Compliances	RoHS	-
Storage Temperature	-40 ~ +90	°C
Operating Temperature	-40 ~ +85	°C

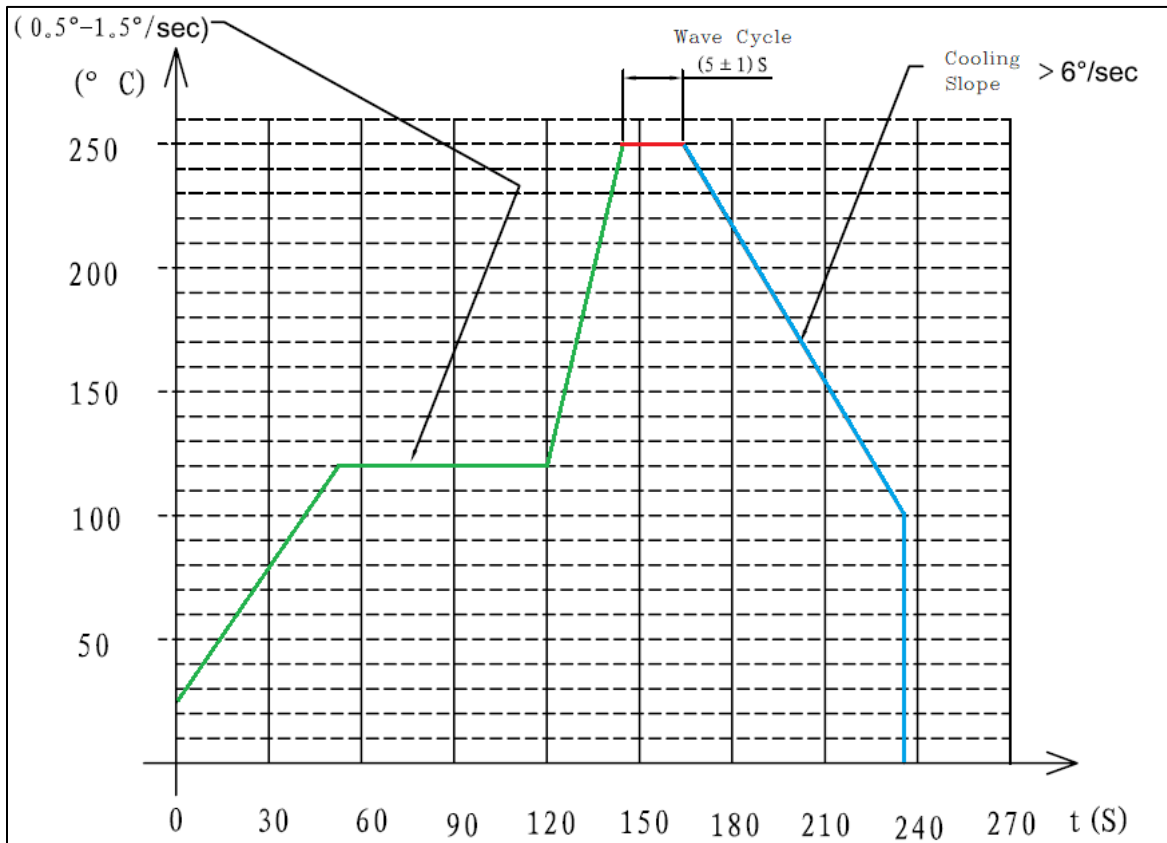
**Measurement Method** (3V0-p, 2700Hz, 50% duty cycle square wave with a SPL meter at 10cm)



### Typical Frequency Response (3V0-p sine-sweep with microphone spaced at 10cm)



### Recommended Wave Soldering Procedure

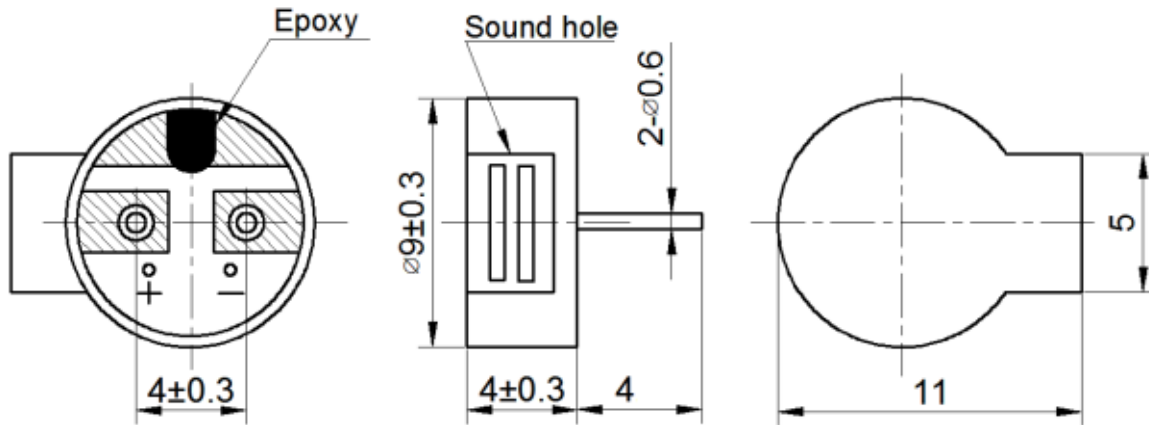


## Reliability Testing

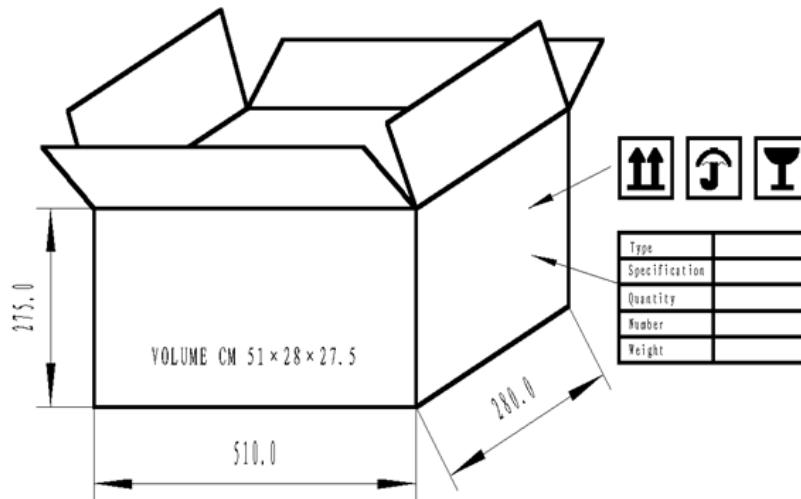
Type of Test	Test Specifications
High Temperature Test	+90±2°C, 96HRS
Low Temperature Test	-40±2°C, 96HRS
Humidity Test	40±5°C, 93(+2/-3) %RH, 96HRS
Temperature Cycle Testing	5 cycles, with 1 cycle consisting of: -40±2°C, 30minutes Room temp., 15 minutes +90±2°C, 30 minutes Room temp., 15 minutes
Vibration Test	Test the part in the directions of X, Y, and Z (total 0.5 hours), to-and-fro sweep time (from 10 to 55 Hz and then 55 to 10) under single amplitude of 1.0mm for 1 minute.
Drop Test	Drop part 3 times from a height of 70 cm onto the surface of a 10 mm thick wooden board.

All specifications must be satisfied after the test.

## Dimensions (Tolerance: ±0.5mm unless specified)



## Packaging



### NOTES:

- 1.100 PCS per box
- 2.Total 30 boxes per carton
- 3.Total 3000 PCS carton
- 4.Volume:51×28×27.5cm