

SPECIFICATIONS

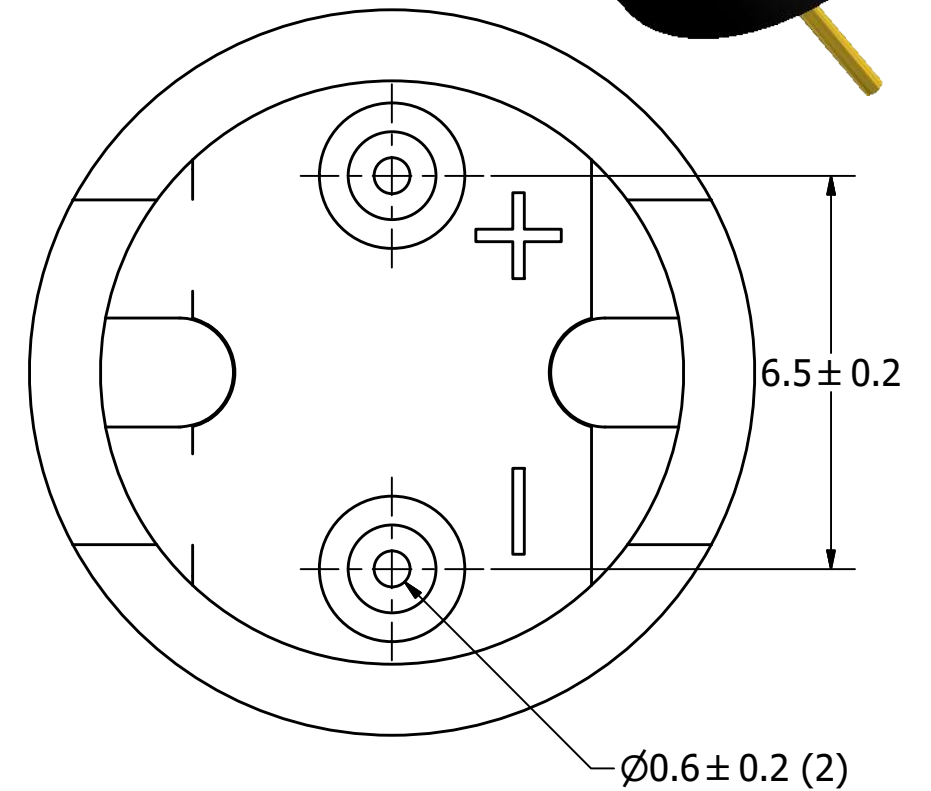
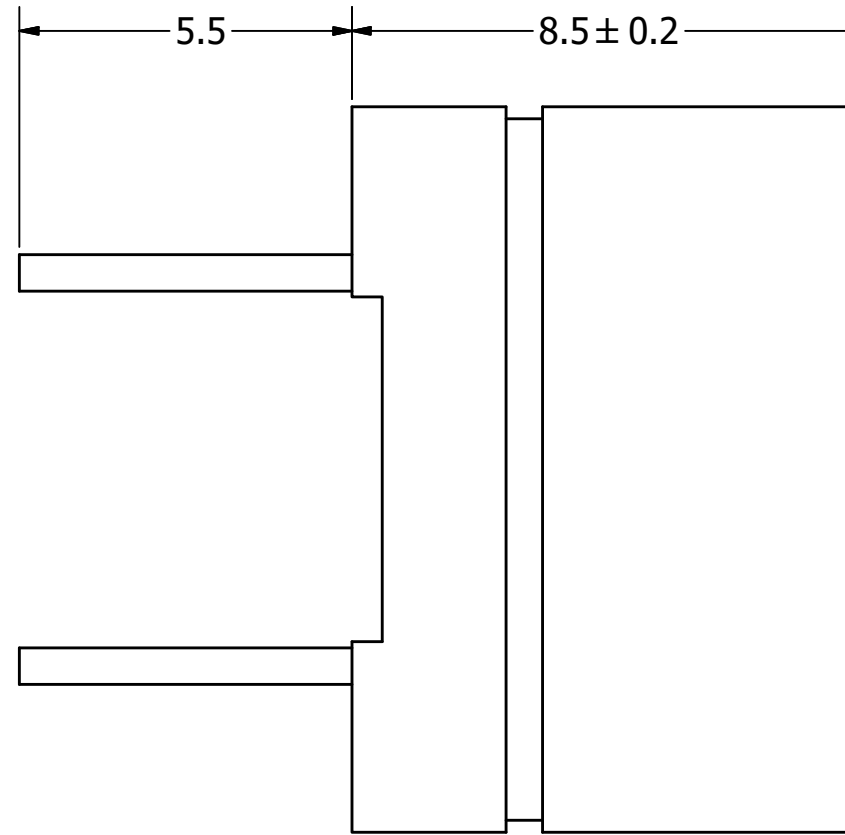
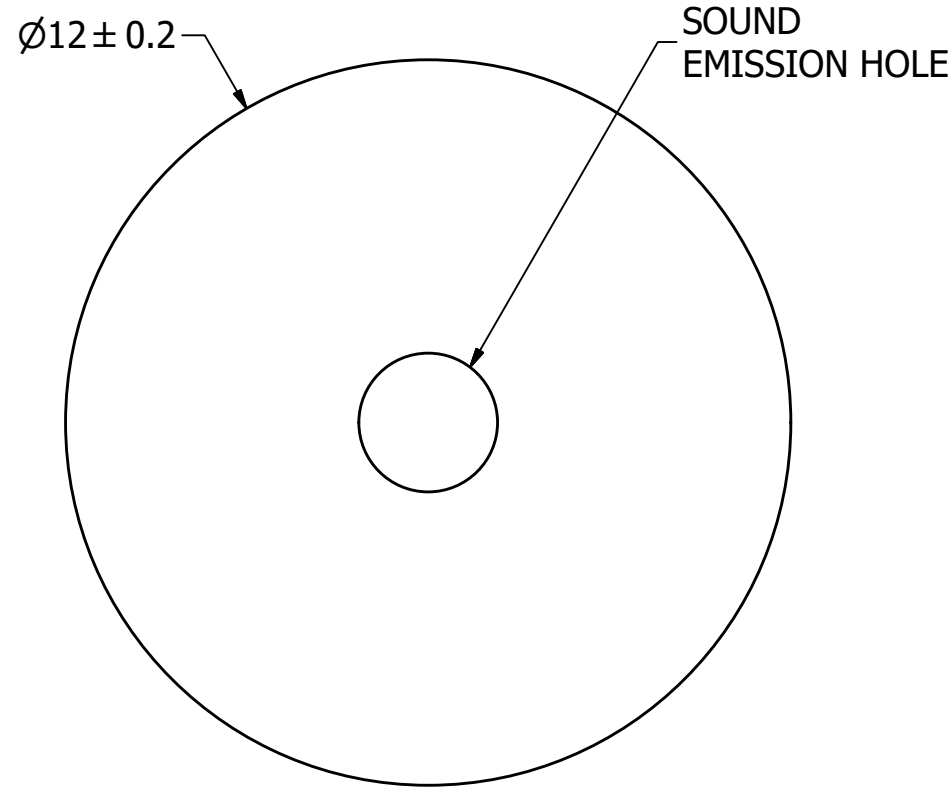
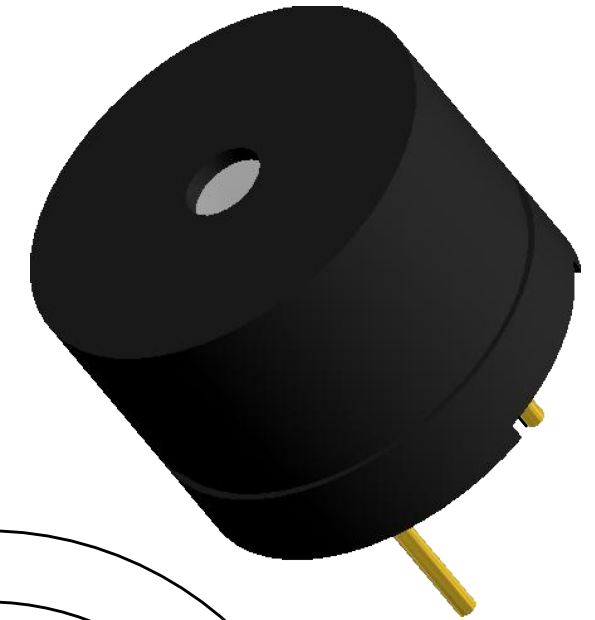
| PARAMETERS | VALUES | UNITS |
|-------------------------|-----------------|-------|
| RATED VOLTAGE | 3.5 | Vpk |
| OPERATING VOLTAGE RANGE | 3 ~ 5 | Vpk |
| RATED CURRENT (MAX) | 35 | mA |
| COIL RESISTANCE | 42 ± 6 | OHM |
| MINIMUM SPL @ 10 CM | 85 | dBA |
| RESONANT FREQUENCY | 2,048 ± 500 | Hz |
| OPERATING TEMPERATURE | -20 ~ +70 | °C |
| STORAGE TEMPERATURE | -30 ~ +80 | °C |
| HOUSING MATERIAL | PPO | - |
| TERMINAL MATERIAL | Au PLATED BRASS | - |
| WEIGHT | 2 | grams |

THIS DOCUMENT CONTAINS DATA PROPRIETARY TO PUI AUDIO, INC. ANY USE OR REPRODUCTION, IN ANY FORM, WITHOUT PRIOR WRITTEN PERMISSION OF PUI AUDIO, INC. IS PROHIBITED.

©2010, PUI AUDIO Inc.

REVISION HISTORY

| LTR | DESCRIPTION | DATE | APPROVED |
|-----|------------------------------------|------------|----------|
| - | RELEASED FROM ENGINEERING | 2014/06/30 | |
| A | ADJUST RATED CURRENT (MAX) TO 35mA | 2015/5/7 | M.L. |



NOTES:

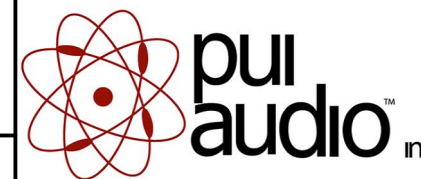
1. ALL DIMENSIONS ARE IN MILLIMETERS.
2. SPECIFICATIONS SUBJECT TO CHANGE OR WITHDRAWL WITHOUT NOTICE.
3. THIS PART IS RoHS 2015/863/EU COMPLIANT.

UNLESS OTHERWISE SPECIFIED:
 ALL PURCHASES ARE SUBJECT TO AND INCORPORATE THE PUI AUDIO TERMS AND CONDITIONS SALE FOUND AT http://www.puiaudio.com/pdf/terms_conditions.pdf (paper copy available upon request).
 DIMENSIONS ARE IN MILLIMETERS, TOLERANCES ARE ±0.5 AND ANGLES ARE ±3°.

AT-1220-TT-9-R.idw

SIZE
A3

| Designed by | Date | Checked by | Date | Approved by | Date | Drawn Date |
|-------------|-----------|------------|-----------|-------------|-----------|------------|
| J.D. | 6/30/2014 | C.W. | 6/30/2014 | B.R. | 6/30/2014 | 6/30/2014 |



| | |
|---------------------------|--------------------------------|
| AT-1220-TT-9-R | |
| Transducer (Electro-Mech) | Edition - Sheet 1 / 1 |