

# SPECIFICATIONS

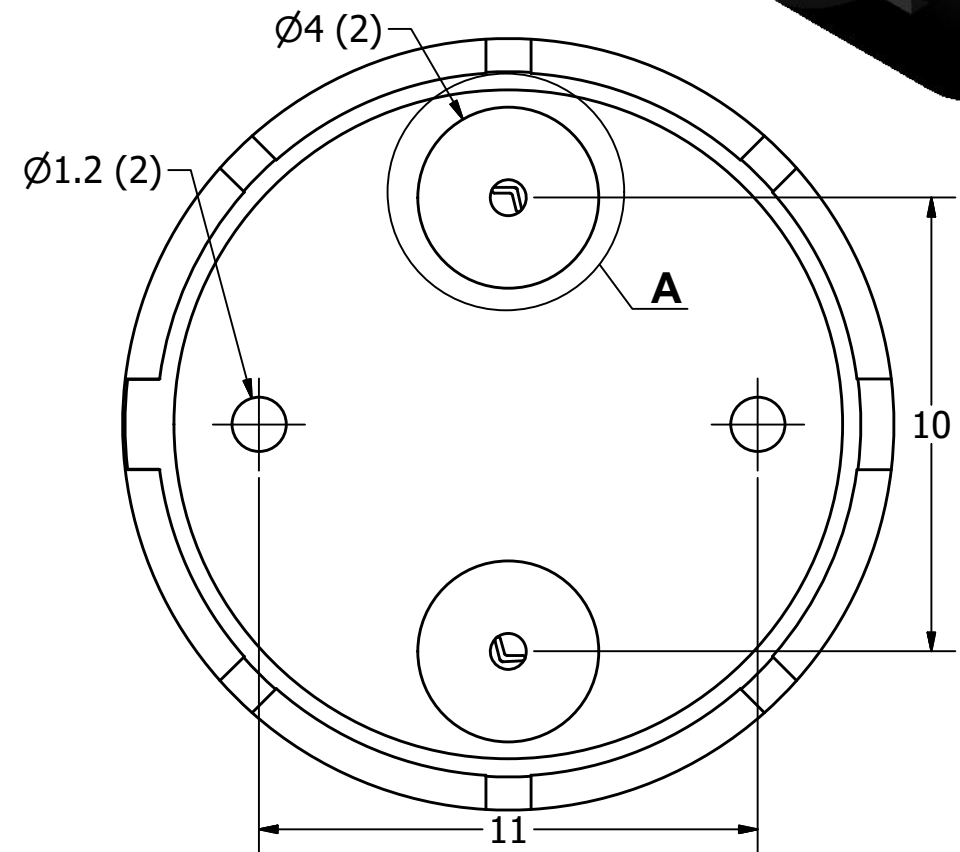
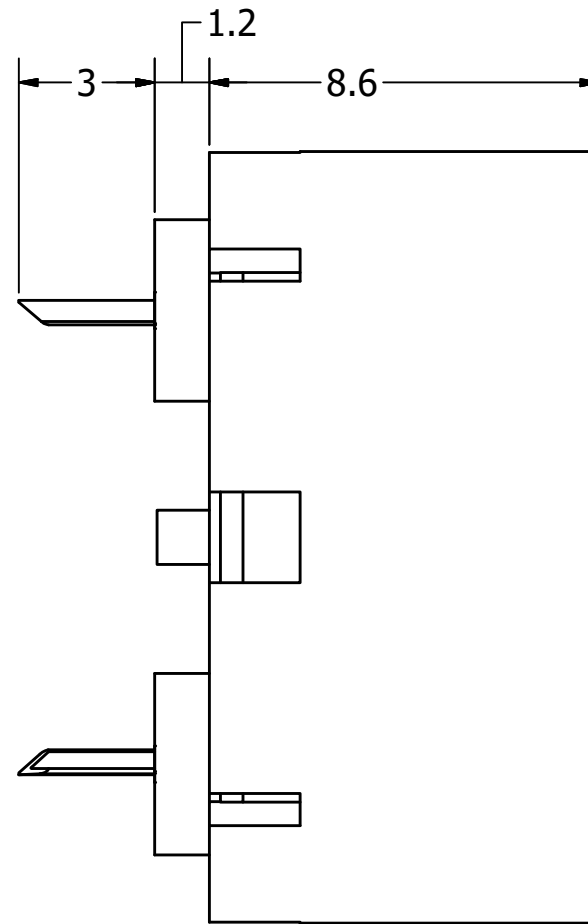
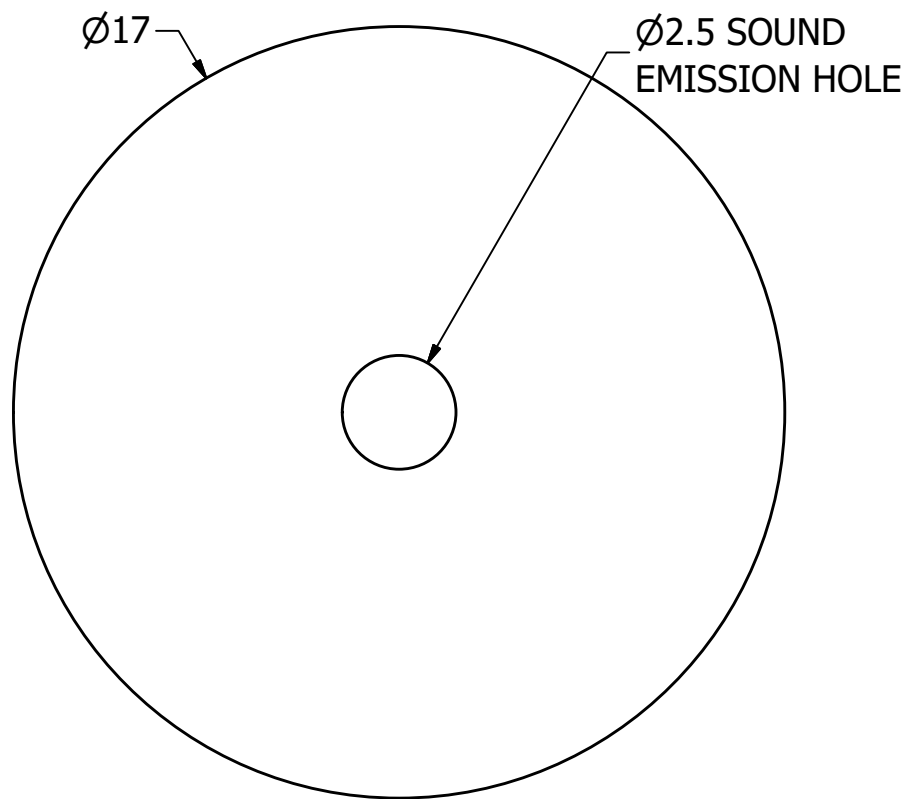
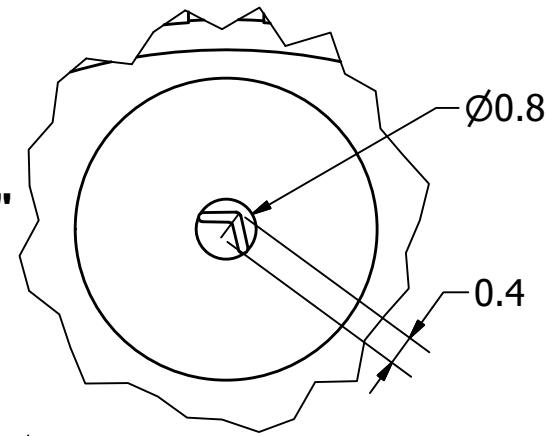
PARAMETERS	VALUES	UNITS
RATED VOLTAGE	3	Vp-p
OPERATING VOLTAGE RANGE	3 ~ 25	Vp-p
RATED CURRENT (MAX)	3	mA
CAPACITANCE	34,000 ± 35%	pF
MINIMUM SPL @ 10 CM	70	dBA
RESONANT FREQUENCY	2,000 ± 500	Hz
OPERATING TEMPERATURE	-20 ~ +105	°C
STORAGE TEMPERATURE	-40 ~ +115	°C
HOUSING MATERIAL	PBT	-
TERMINAL MATERIAL	Sn PLATED PHOSPHOR BRONZE	-
WEIGHT	1	grams

THIS DOCUMENT CONTAINS DATA PROPRIETARY TO PROJECTS UNLIMITED, INC. ANY USE OR REPRODUCTION, IN ANY FORM, WITHOUT PRIOR WRITTEN PERMISSION OF PROJECTS UNLIMITED, INC. IS PROHIBITED.  
©2003, Projects Unlimited Inc.

# REVISION HISTORY

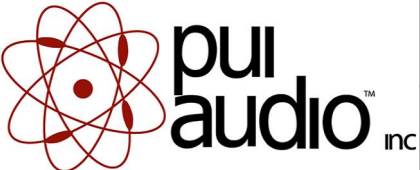
LTR	DESCRIPTION	DATE	APPROVED
-	RELEASED FROM ENGINEERING	7/20/2005	
A	REVISED TO INVENTOR 3-D DRAWING TEMPLATE	4/21/2008	B.R.
B	REVISED WEIGHT AND STORAGE TEMPERATURE	2/27/2020	M.V.

DETAIL "A"



**NOTES:**

1. ALL DIMENSIONS ARE IN MILLIMETERS.
2. SPECIFICATIONS SUBJECT TO CHANGE OR WITHDRAWL WITHOUT NOTICE.
3. THIS PART IS RoHS 2002/95/EC COMPLIANT.

UNLESS OTHERWISE SPECIFIED: DIMENSIONS ARE IN MILLIMETERS, TOLERANCES ARE ±0.5 AND ANGLES ARE ±3°.	SIZE <b>A3</b>	Designed by	Date	Checked by	Date	Approved by	Date	Drawn Date	
		R.A.C.	7/20/2005	B.R.	7/20/2005	B.R.	7/20/2005	4/21/2008	
AT-1720-TT-R.idw				<b>AT-1720-TT-R</b>				Transducer (Piezo)	
							Edition	Sheet	
							-	1 / 1	