

# SPECIFICATIONS

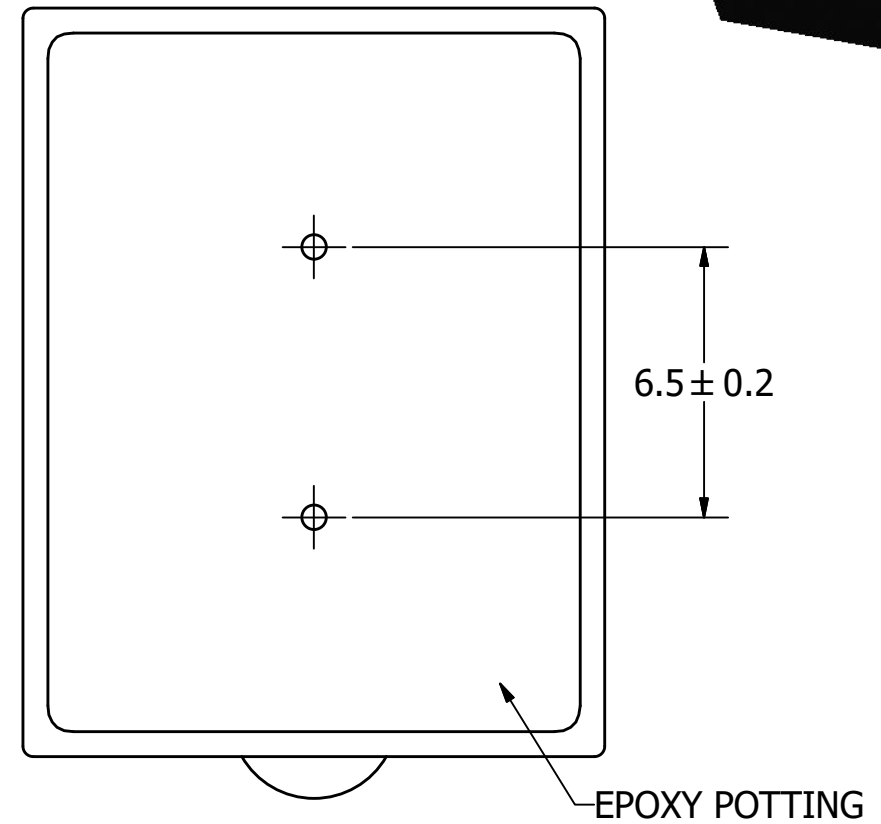
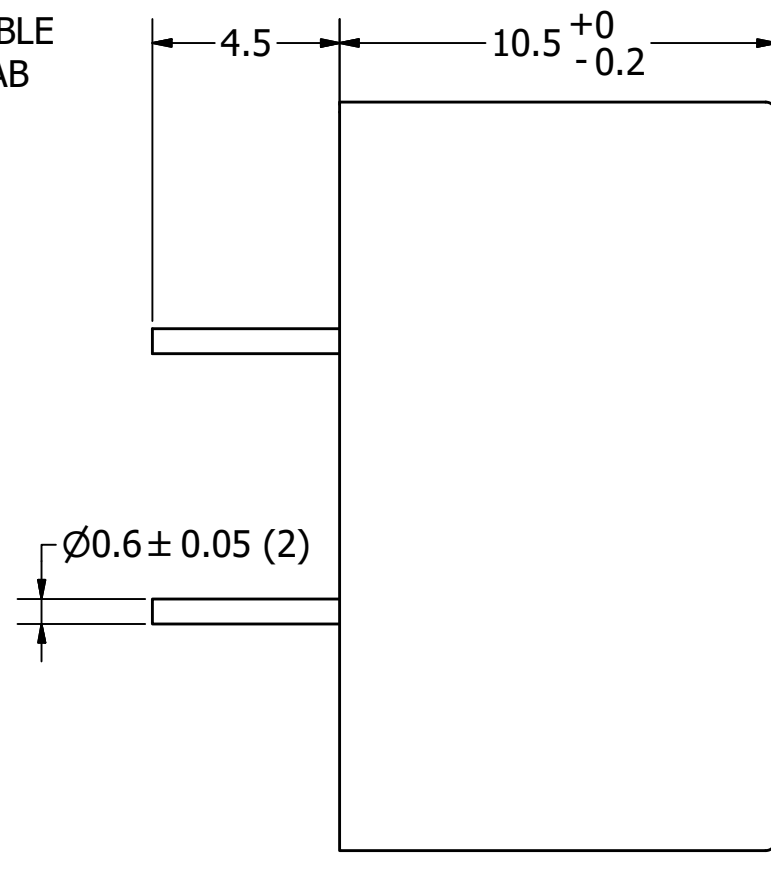
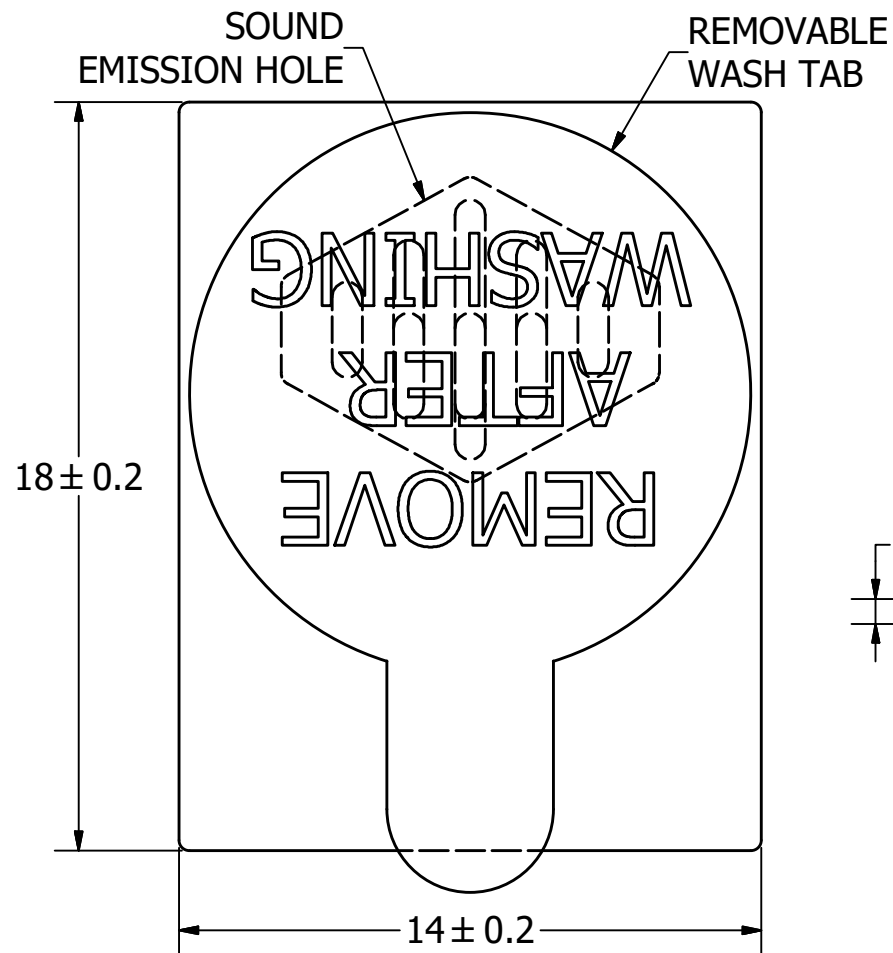
PARAMETERS	VALUES	UNIT
RATED VOLTAGE	6	Vpk
OPERATING VOLTAGE RANGE	3 ~ 10	Vpk
RATED CURRENT (MAX)	40	mA
COIL RESISTANCE	60 ± 9	OHM
MINIMUM SPL @ 10 CM	85	dBA
RESONANT FREQUENCY	2,250± 250	Hz
OPERATING TEMPERATURE	-20 ~ +80	°C
STORAGE TEMPERATURE	-30 ~ +85	°C
HOUSING MATERIAL	NORYL	-
TERMINAL MATERIAL	Sn PLATED COPPER	-
WEIGHT	7	grams

THIS DOCUMENT CONTAINS DATA PROPRIETARY TO PUI AUDIO, INC. ANY USE OR REPRODUCTION, IN ANY FORM, WITHOUT PRIOR WRITTEN PERMISSION OF PUI AUDIO, INC. IS PROHIBITED.

©2010, PUI AUDIO Inc.

# REVISION HISTORY

LTR	DESCRIPTION	DATE	APPROVED
-	RELEASED FROM ENGINEERING	3/21/2006	
A	REVISED PART HEIGHT DIMENSION	5/11/2010	B.R.
B	REVISED TO INVENTOR 3-D DRAWING TEMPLATE	5/12/2010	B.R.
C	REVISED RESONANT FREQUENCY	2/19/2020	M.L.



### NOTES:

1. ALL DIMENSIONS ARE IN MILLIMETERS.
2. SPECIFICATIONS SUBJECT TO CHANGE OR WITHDRAWL WITHOUT NOTICE.
3. THIS PART IS RoHS 2015/863/EU COMPLIANT.
4. WAVE SOLDER AND WASH ALLOWED.

UNLESS OTHERWISE SPECIFIED: DIMENSIONS ARE IN MILLIMETERS, TOLERANCES ARE ±0.5 AND ANGLES ARE ±3°.	SIZE <b>A3</b>	Designed by	Date	Checked by	Date	Approved by	Date	Drawn Date	
		T.G.	3/21/2006	B.R.	3/21/2006	E.P.	3/21/2006	5/12/2010	
AT-1820-TWT-6V-R.idw				<b>AT-1820-TWT-6V-R</b>				Edition: - Sheet: 1 / 1	
				Transducer (Electro-Mech)					