

Data Sheet	AT-4625-TT-HT-R
------------	-----------------

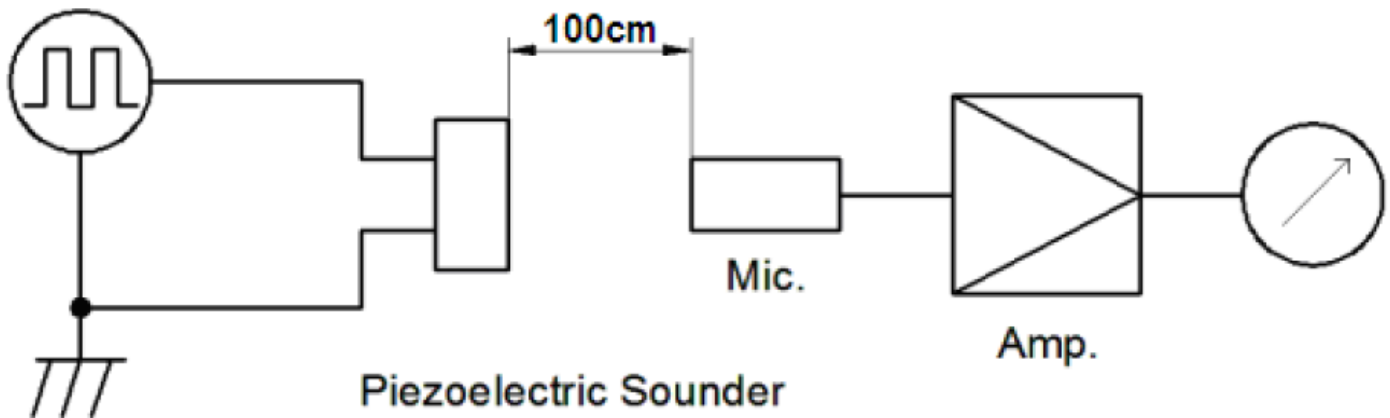
- Wide 3 to 30 Vp-p operating voltage range
- Able to create more than 90 dBA output at 3 meters
- 2.5 kHz to 4.5 kHz bandpass design

Specifications

Parameters	Values	Units
Rated Voltage	20	Vp-p
Operating Voltage Range	3 ~ 30	Vp-p
Current Draw	≤80	mA
Minimum SPL @ 10cm/1m*	120/100	dBA
Capacitance @ 120 Hz	140,000 ±30%	pF
Resonant Frequency	2500 ±500	Hz
Housing Material	PBT + 20% Glass Fiber	-
Weight	11	Grams
Acceptable Soldering Methods	Hand Solder, Wave Solder	See Page 3 for details
Environmental Compliances	RoHS	-
Storage Temperature	-40 ~ +105	°C
Operating Temperature	-40 ~ +105	°C

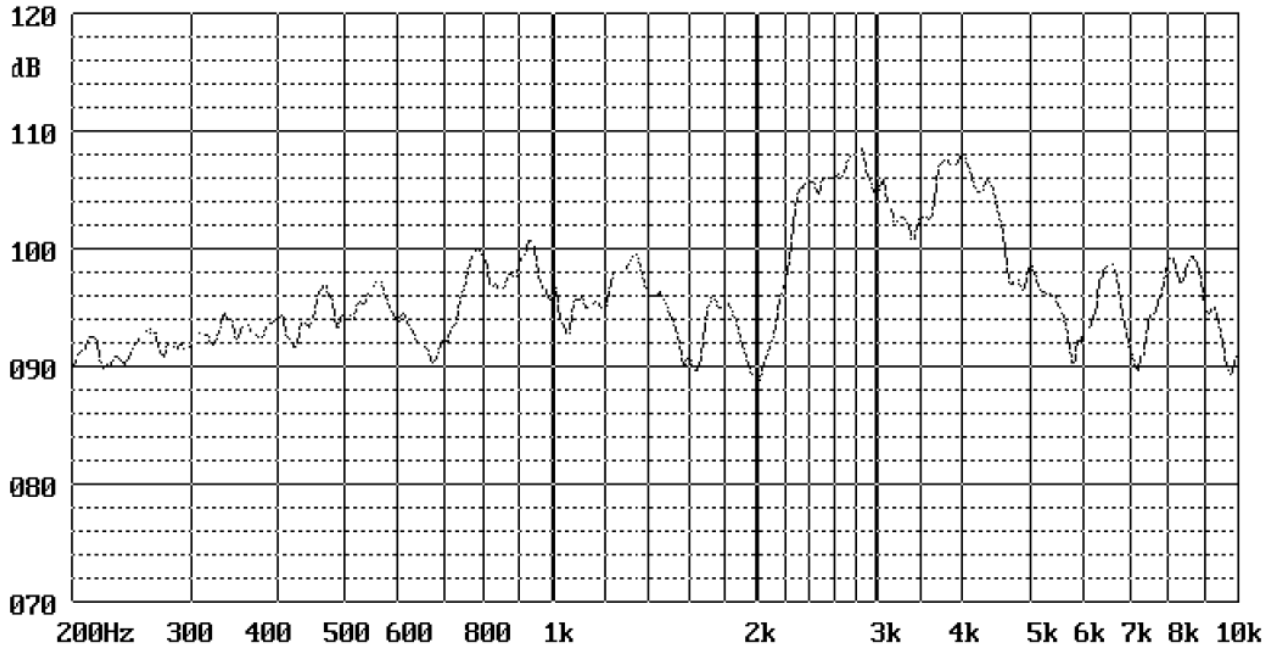
*At rated voltage

Test Method



MIC: ND10 Sound Meter or equivalent
Signal Generator: DF1641D or equivalent

Typical Frequency Response (20 Vp-p sine-sweep with mic spaced at 1m)

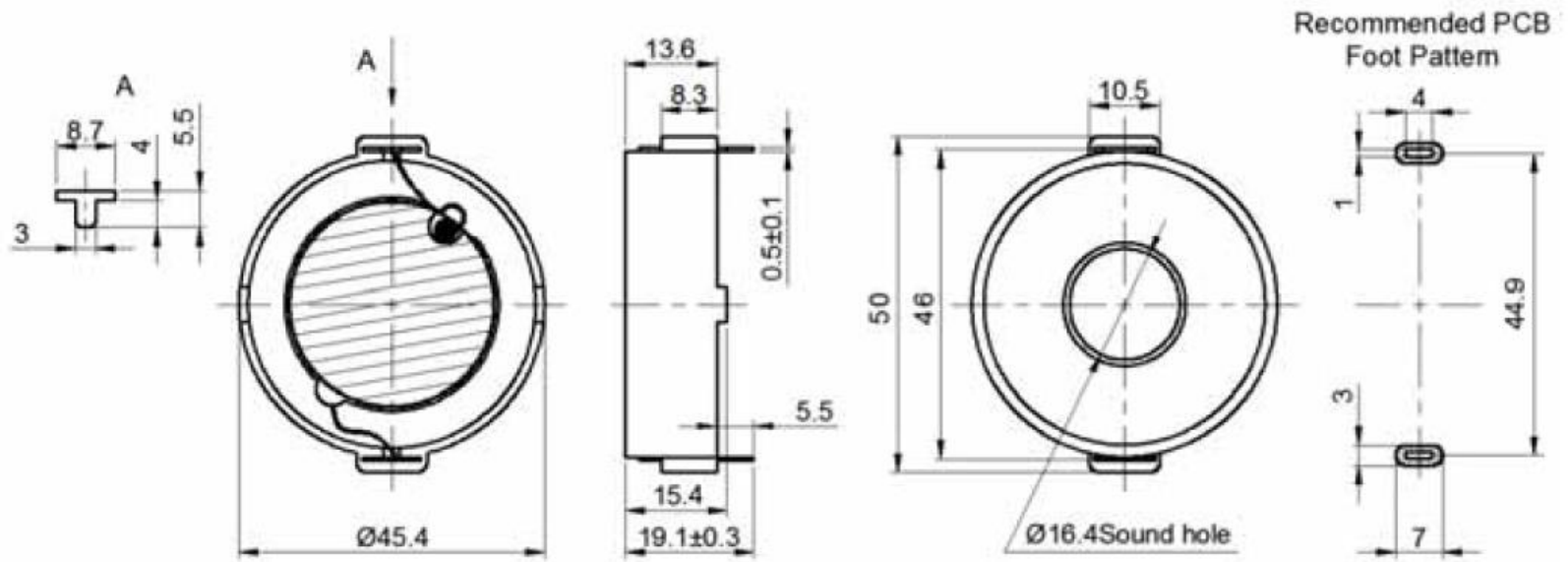


Reliability Testing

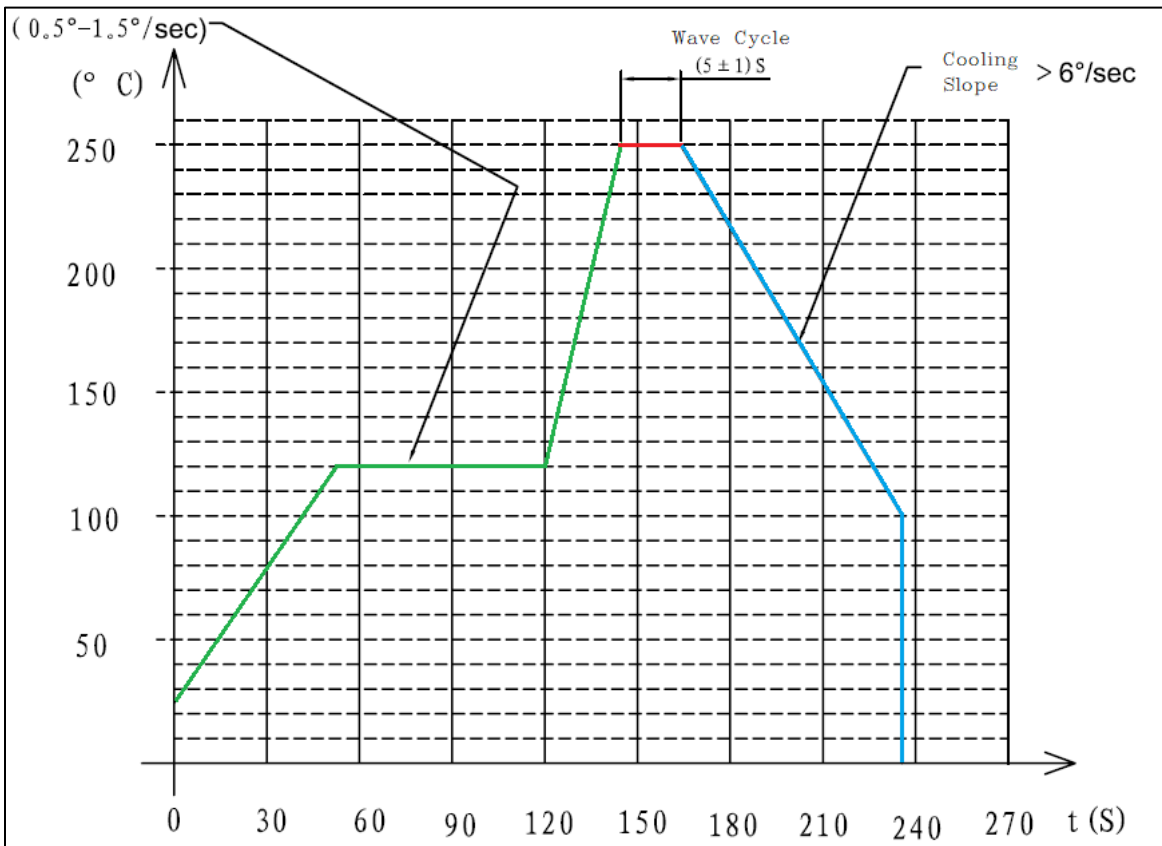
Type of Test	Test Specifications
High Temperature Test	+105±2°C, 96 Hours
Low Temperature Test	-40±2°C, 96 Hours
Humidity Test	40±2°C, 93(+2/-3)% RH for 96Hrs
Temperature Cycle Testing	-40±2°C, 30minutes +20±2°C, 15 minutes +105±2°C, 30 minutes +20±2°C, 15 minutes Total of 5 cycles
Vibration Test	10 to 55 Hz band of vibration frequency to each of 3 perpendicular directions for 2 hrs.
Drop Test	The part shall be dropped from the height of 70cm onto a 10mm thick wooden board; 3 times per axial direction (x, y & z) a total of 9 times.

After 4 hours at room temperature, the product shall meet specifications. SPL should be within ±10dB compared with initial value.

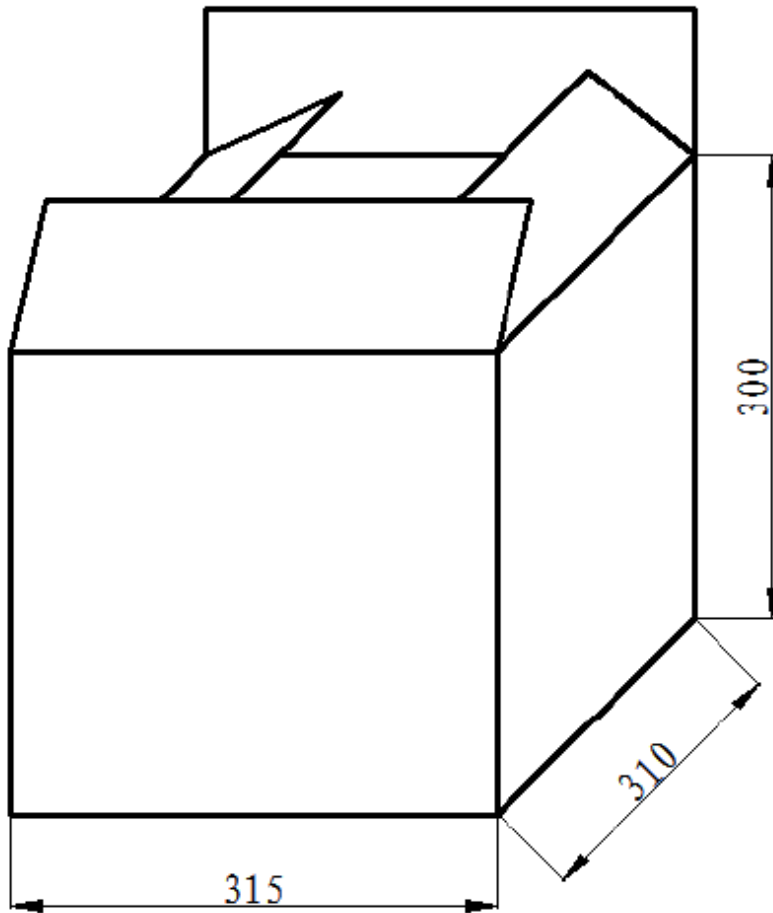
Dimensions (Units: mm Tolerance: $\pm 0.5\text{mm}$)



Recommended Wave Soldering Procedure



Packaging



NOTES:

- 1.36 PCS per layer
- 2.Total 12 layers per carton
- 3.Total 432 PCS per carton
- 4.Volume: $31.5 \times 31 \times 30\text{cm}$